



EDGE EX1



AC to JB Mount Installation	2
Wall Mount Installation	3
Surface Mount Installation	4
Connector Details	5
Hub Details	6
Lens Detail	7
Veil Louver Detail	8-10

DISCLAIMERS

All of Pinnacle's packaging is recyclable with the exception of the straps on the pallets. Please reach out to the factory if you need assistance in recycling any packaging components.
This product must be installed in accordance with applicable installation and electrical codes by a professional familiar with the construction and operation of the product.
Minimum 90° C supply conductor.

All electrical connections must be performed by a certified electrician to applicable local and national electrical codes.
Damaged components must never be used.
Contact Pinnacle prior to making any fixture alterations.
Contact Pinnacle with any installation questions or field issues.



1 LAYOUT

Lay out mounting and J-Box locations.

Mount Spacing

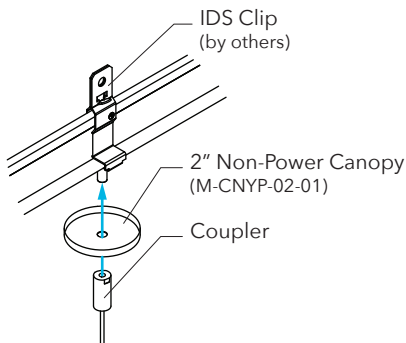
Aircraft Cable Examples



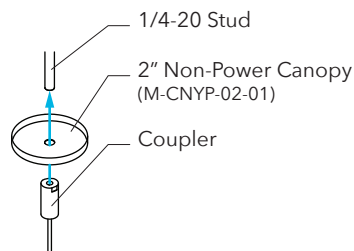
FIXTURE	A	B
2'	23-1/2"	24"
3'	35-1/2"	36"
4'	47-1/2"	48"
5'	59-1/2"	60"
6'	71-1/2"	72"
7'	83-1/2"	84"
8'	95-1/2"	96"

3 NON-POWER MOUNT

Install 1/4-20 stud (by others) or IDS Clip (by others) for non-power mounts (1/2" below ceiling plane). Secure canopy to stud or IDS clip using coupler. Attach AC gripper to stud at end of fixture and level fixture.



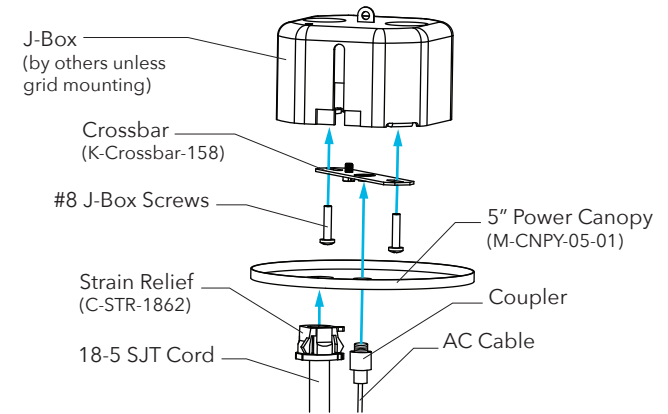
Grid Mounting



Inaccessible Mounting

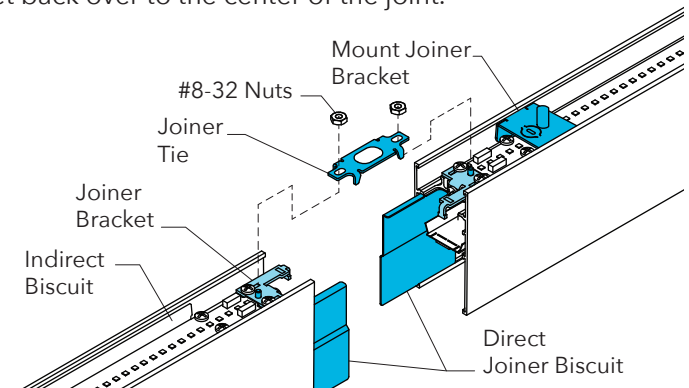
2 POWER SIDE MOUNT

Install crossbar to J-Box (by others unless grid mounting). Run SJT cord through canopy, secure with strain relief, and make wiring connections inside of J-Box. Feed aircraft cable through coupler, secure canopy to crossbar using coupler. Attach AC gripper to stud at end of fixture.



4 ADDITIONAL FIXTURES

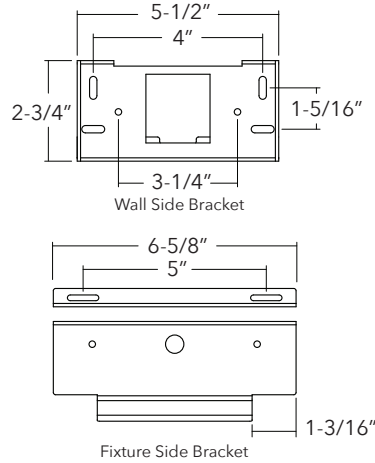
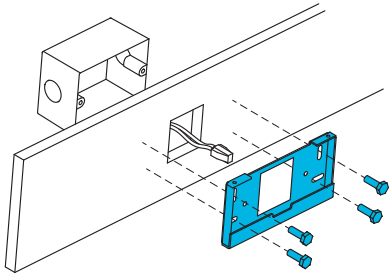
Remove all lenses, slide Mount Joiner Bracket out of the way while joining fixtures, and connect AC cable to stud in Mount Joiner Bracket. Hang fixtures together via Joiner Brackets. Make wiring connections between fixtures. Unhook fixtures and slide together using Joiner Biscuits as guides. Once fixtures are touching secure together with Joiner Tie and 2x #8-32 Nuts. Slide Mount Joiner Bracket back over to the center of the joint.





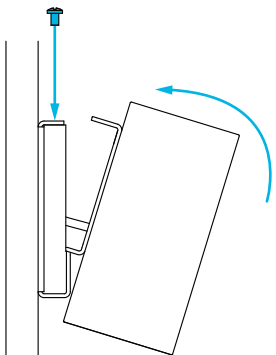
1 LAYOUT

Lay out junction boxes and fasten wall mounting brackets to the proper spacing for fixture type.



2 POWER AND MOUNTING

Hang first fixture from mounting brackets for hands-free wiring. Connect fixture wiring to building power and recess wires into junction box. Rotate fixture upright and fasten with screws.
 (Note: Asymmetric lens option will have sticker on lens indicating wall side.)

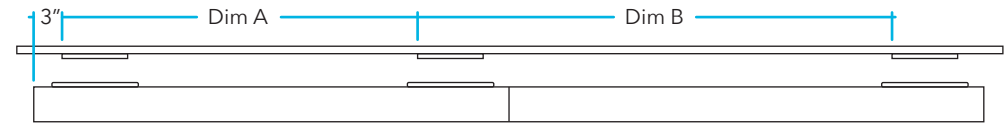


BEGINNING OF ROW OR INDEPENDENT FIXTURE
(2 Mounting Brackets)

FIXTURE	DIM A
2'	8"
3'	20"
4'	32"
5'	44"
6'	56"
7'	68"
8'	80"

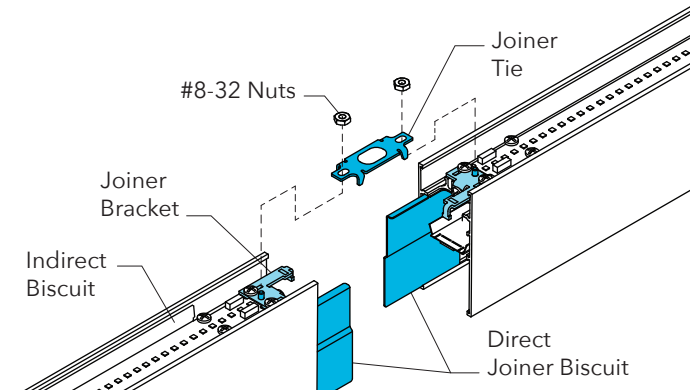
MIDDLE OR END OF ROW FIXTURES
(1 Mounting Bracket)

FIXTURE	DIM B
2'	24"
3'	36"
4'	48"
5'	60"
6'	72"
7'	84"
8'	96"



3 ADDITIONAL FIXTURES

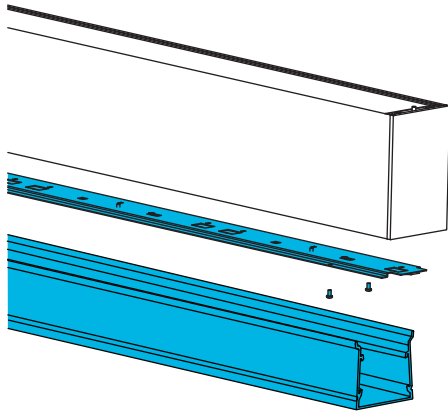
Remove all lenses. Mount next fixture in row to wall bracket at far end. Hook fixtures together using Joiner Brackets and make wiring connections between fixtures. Unhook fixtures and slide fixtures together using Joiner Biscuits as guides. Secure fixtures together using Joiner Tie and 2x #8-32 Nuts. Re-install all lenses.



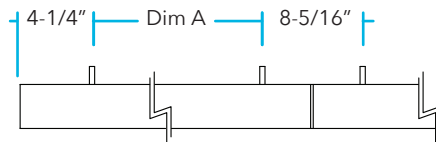


1 LAYOUT

Ensure proper support above fixture (see chart below for mounting dimensions). Remove lens (see page 9 for details) and reflector assembly by removing matte black #8-32 screws.

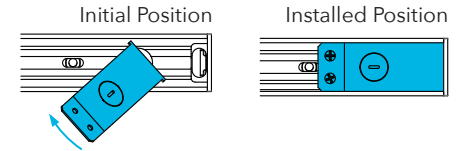
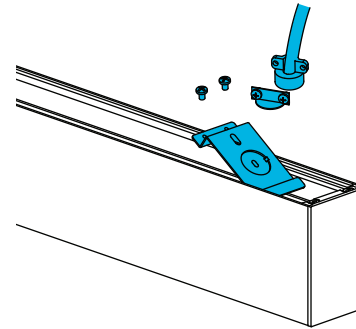


FIXTURE	A
2'	15-11/16"
3'	27-11/16"
4'	39-11/16"
5'	51-11/16"
6'	53-11/16"
7'	75-11/16"
8'	87-11/16"



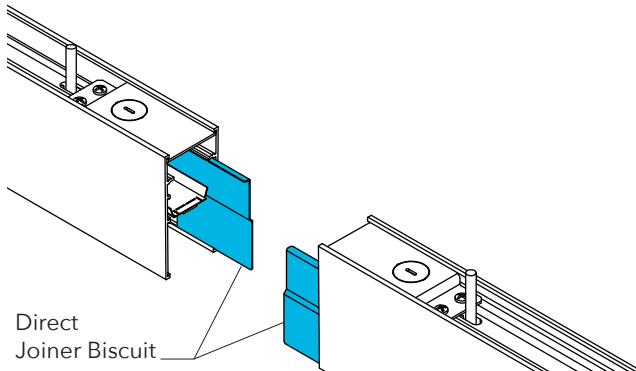
2 MOUNTING AND POWER

Install flex whip to knockout on surface bracket knockout. Insert surface mount brackets on either end of fixture and secure with two #8-32 screws. Make wiring connections inside fixture. Mount fixture to surface using 1/4-20 hardware (by others) based on mounting dimensions in Step 1. Re-install reflector and lens (see page 9 for details).



3 ADDITIONAL FIXTURES

If joining fixture make wiring connections between fixture. Slide fixtures together using Joiner Biscuits as guides. Once fixtures are together mount additional fixture to surface through mounting hole using 1/4-20 mounting hardware. Mounting will keep fixtures together. Re-install reflectors and lenses.

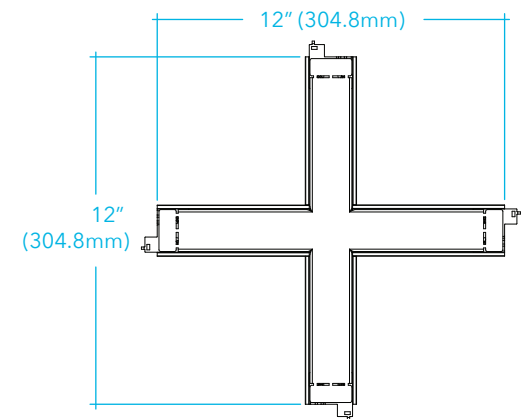
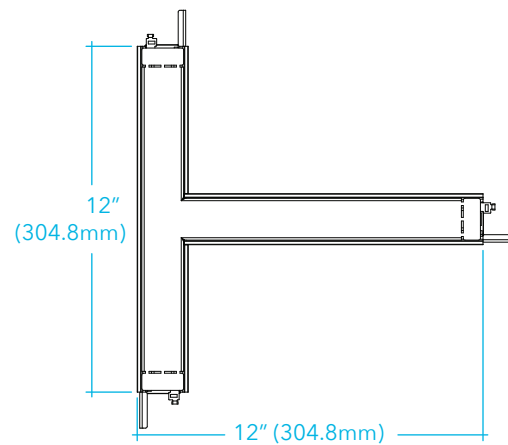
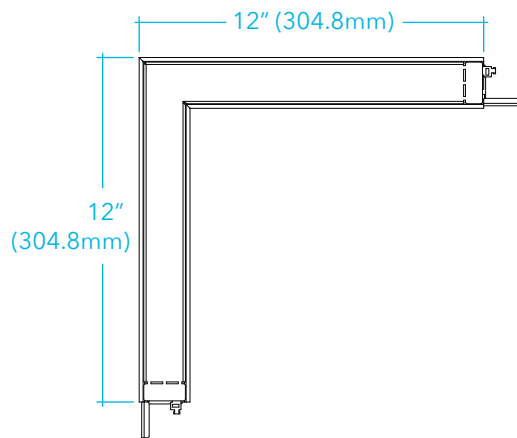
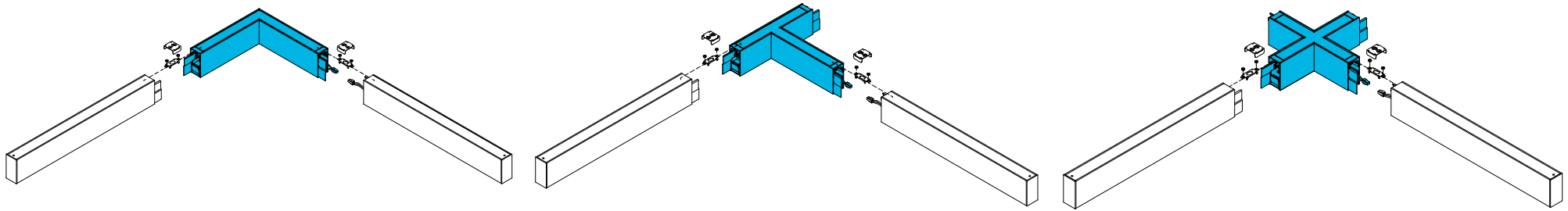




Please reference applicable installation page for further details and mounting information.

1 CORNER DETAILS

Lay out run pattern, and install mounting hardware. (*Note: corner piece has one mount point per end.*) Remove top cover from corner, attach corner to first fixture. Join fixtures together. Replace top cover. See page 5 for joining details.

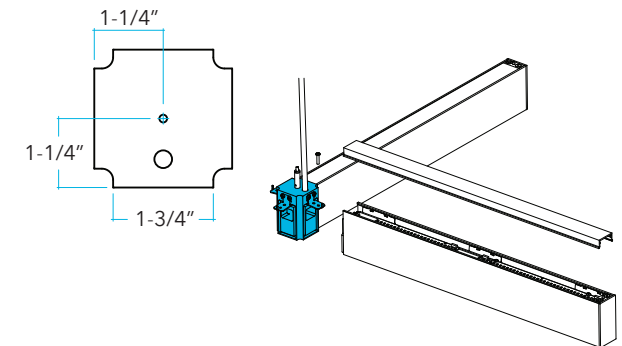
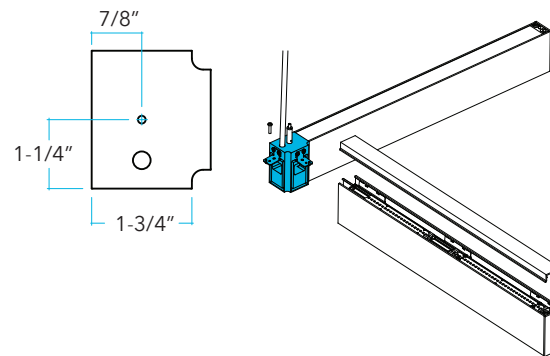
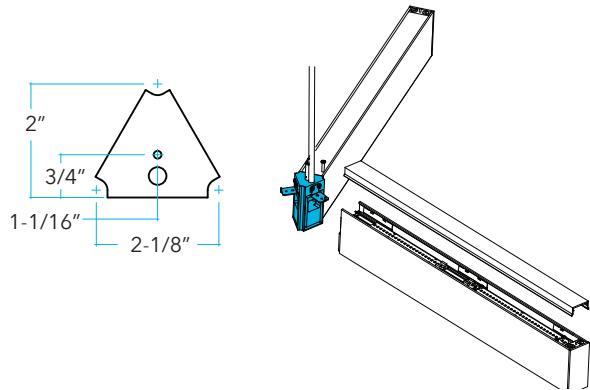
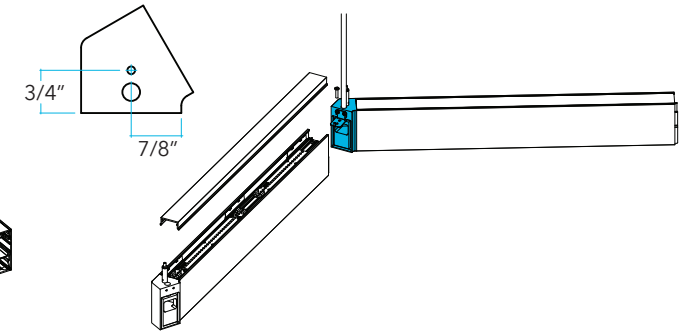
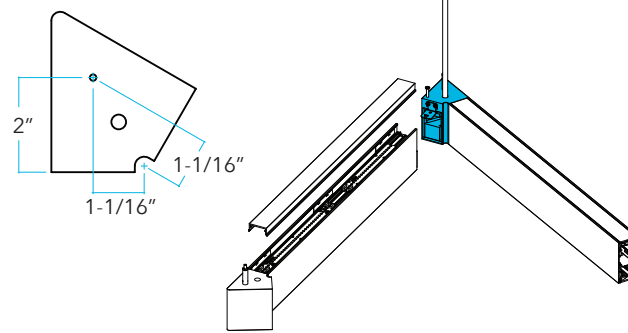
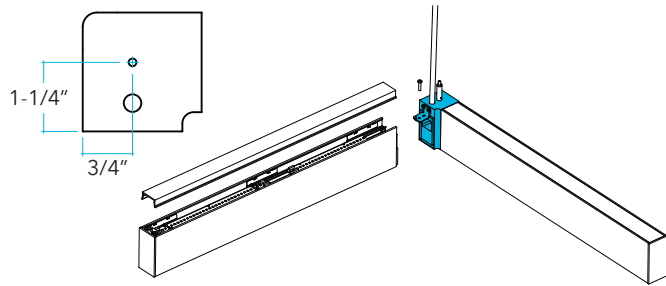
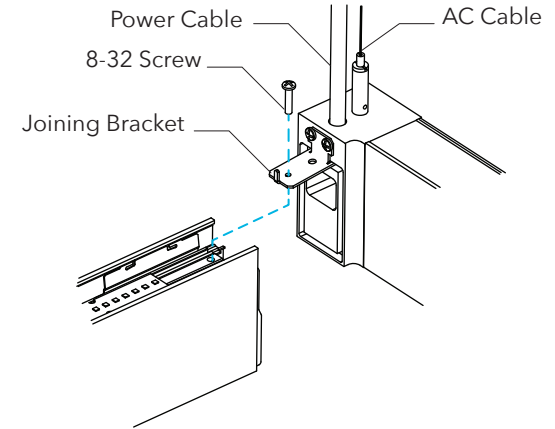




Please reference applicable installation sheet for further details and mounting information.

1 HUB DETAILS

Hubs provide both a mounting point and also power. Hubs will have leads for incoming fixtures. To secure fixtures to hub, line up fixture with hub and secure together with one screw through top of fixture.

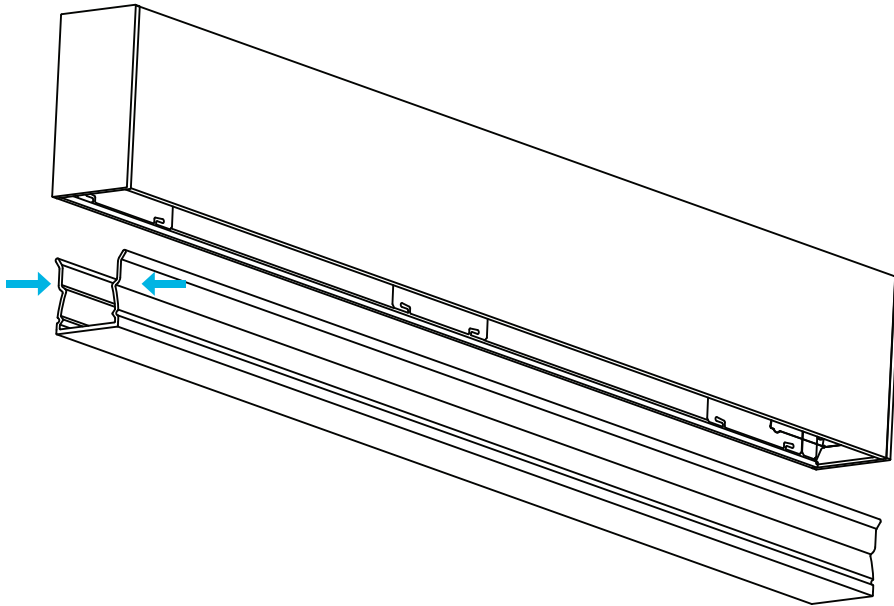




1 LENS INSTALLATION

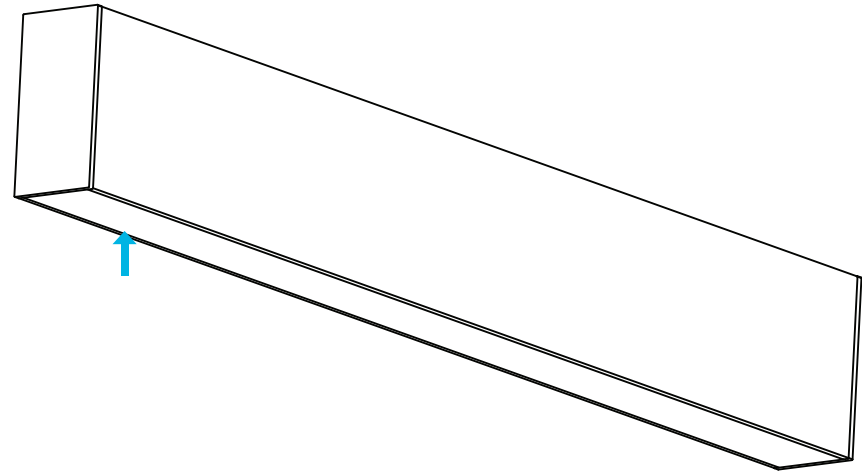
Begin at one end of the lens and squeeze sides to allow it to flex. Insert end of lens into place. Lens snaps into place when installed properly. Slowly insert rest of lens down the length of the fixture.

(Note: Asymmetric lens option will have sticker on lens indicating wall side)



2 LENS REMOVAL

Insert a rigid object approx. 1/16" thick, such as a putty knife, into the edge between the lens and the fixture side about one inch from end. Using said object, gently pry lens away from fixture until it is released from the mounting groove. Once the section is released, start at that end of the fixture and pull the lens out of the fixture.

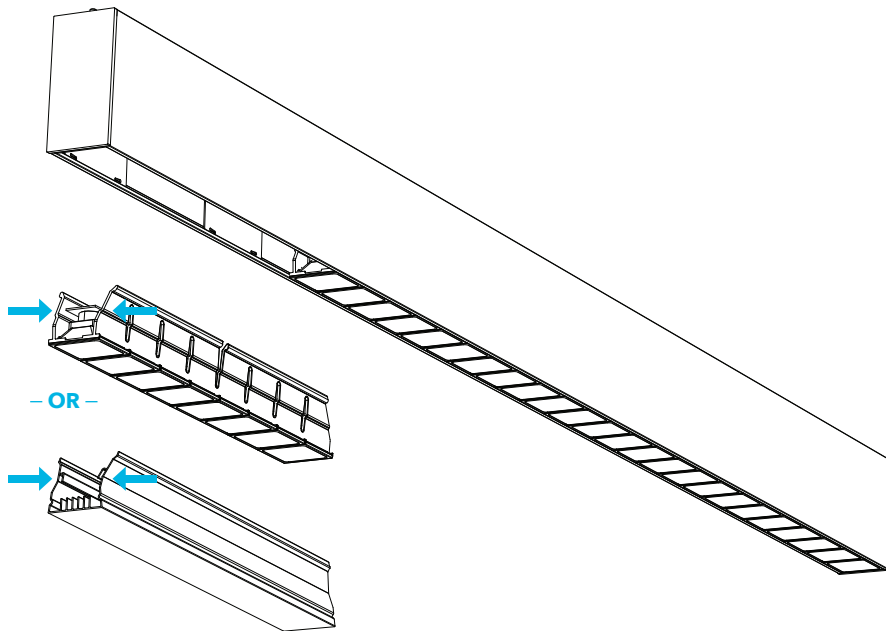




1 LOUVER or BLANK INSTALLATION

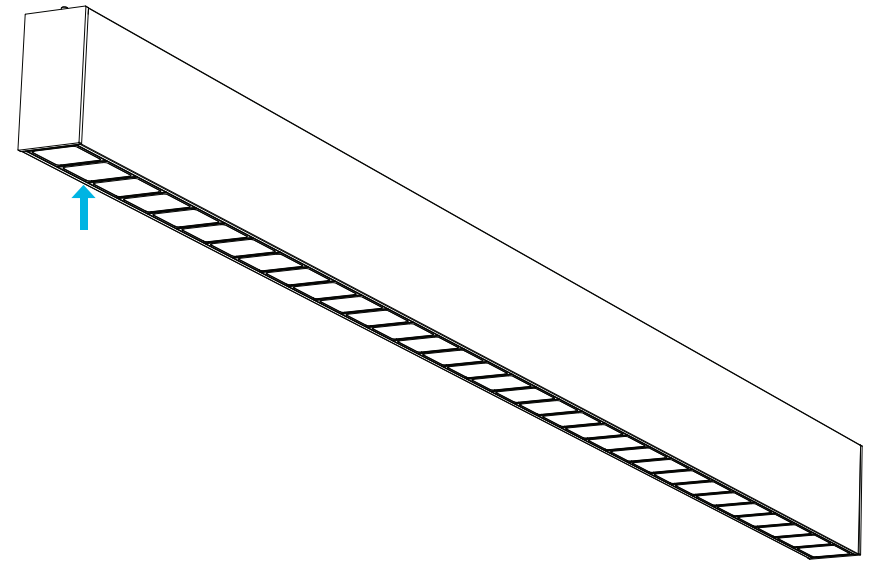
Reconnect the LED harness to the louver. Align the louver or blank with the opening in the fixture housing, then squeeze the side legs inward while pressing the section straight into place until it snaps securely. Verify that the section is fully seated and flush with the housing before restoring power and confirming proper operation.

Note: In some configurations, a louver or blank section may span across the joint between two fixtures.



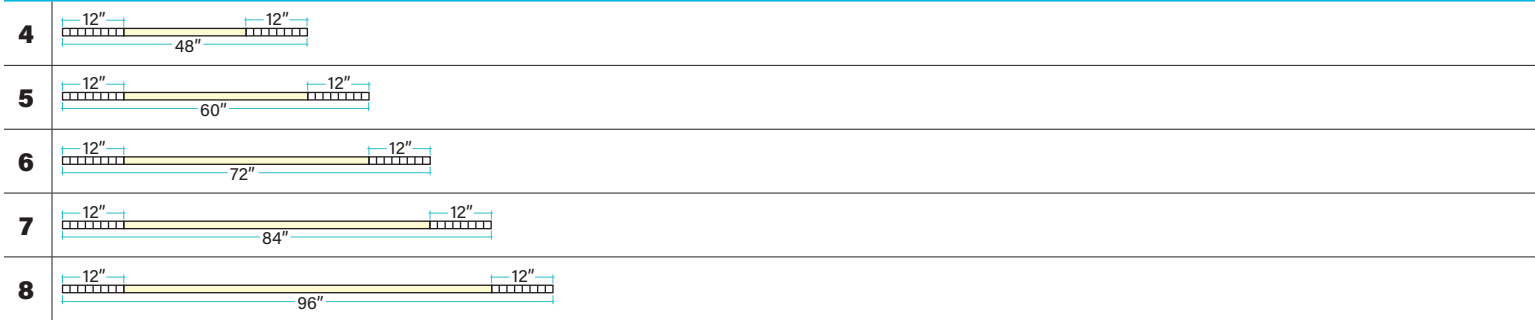
2 LOUVER or BLANK REMOVAL

Before beginning, ensure power to the fixture is turned off. To remove the louver or blank section, insert a flat-head screwdriver either between the module end and the fixture housing or between adjacent modules. Gently twist or pry to release the section from the housing. Once the part is free, disconnect the LED harness (if applicable) and carefully remove the section from the fixture.

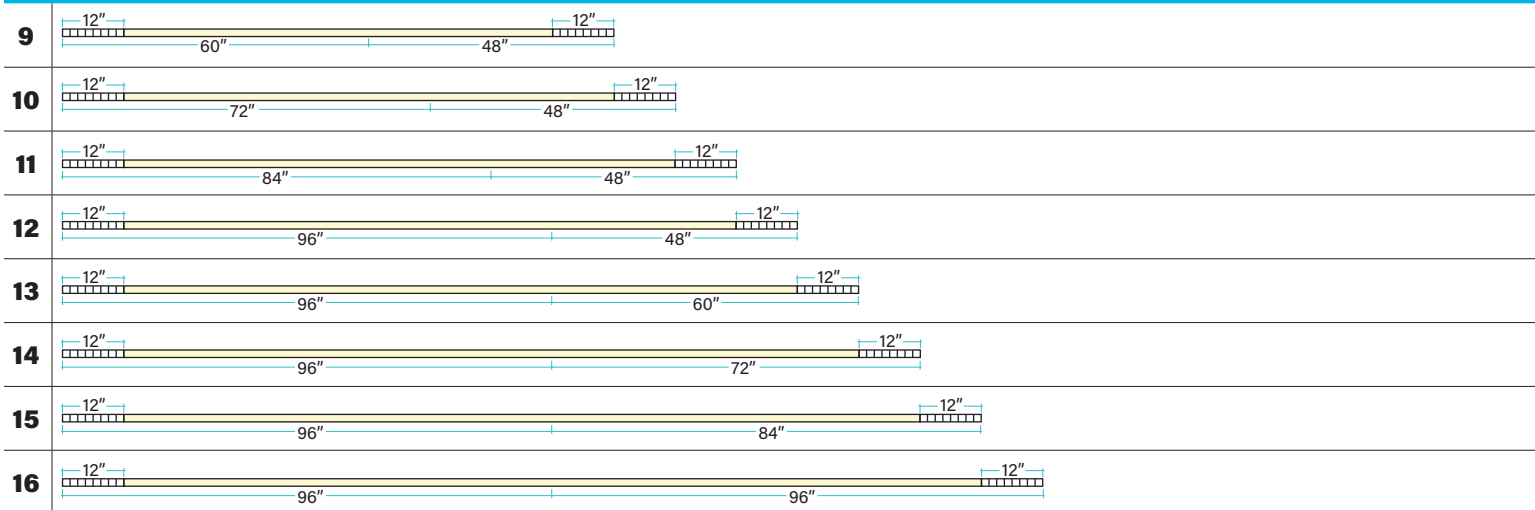




Louver+Lens Individual Unit Breakdowns



Louver+Lens Continuous Run Breakdowns



Louver+Blanks Individual Unit Breakdowns





Louver+Blanks Continuous Run Breakdowns

