

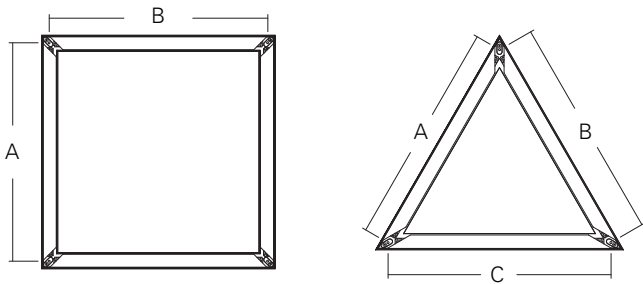
AC Cable to Fixture Mounting (AS)	2
AC Cable to Hub Mounting (AH)	3
Canopy Details	4



Note: EDGE Forms 4x4 requires at least 2 people to install.

1 LAYOUT

Lay out mounting and J-Box locations.



Mounting Point Dimensions

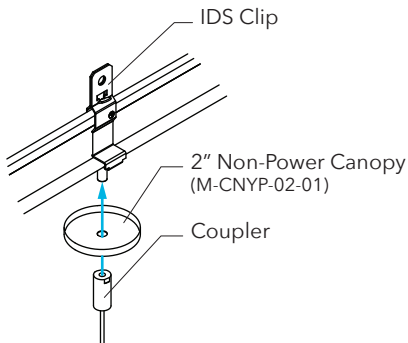
	S2	R24	S4	TR2	TR4
Dim A	24"	24"	48"	24-1/4"	48"
Dim B	24"	48"	48"	24-1/4"	48"
Dim C	N/A	N/A	N/A	24-1/4"	48"

Fixture Weight

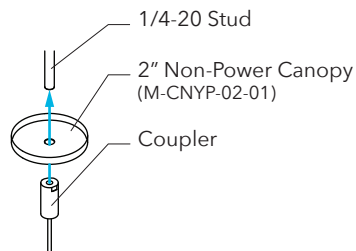
S2	14lbs
R24	21lbs
S4	28lbs
TR2	11lbs
TR4	20lbs

3 NON-POWER MOUNT

Install 1/4-20 stud (by others) or IDS Clip (by others) for non-power mounts (1/2" below ceiling plane). Secure canopy to stud or IDS clip using coupler.



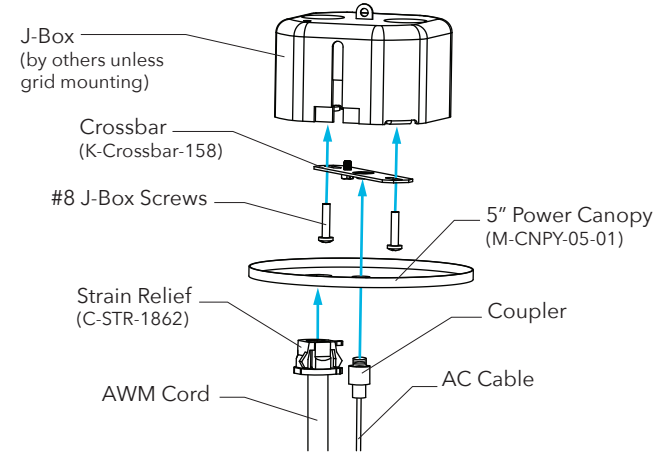
Grid Mounting



Inaccessible Mounting

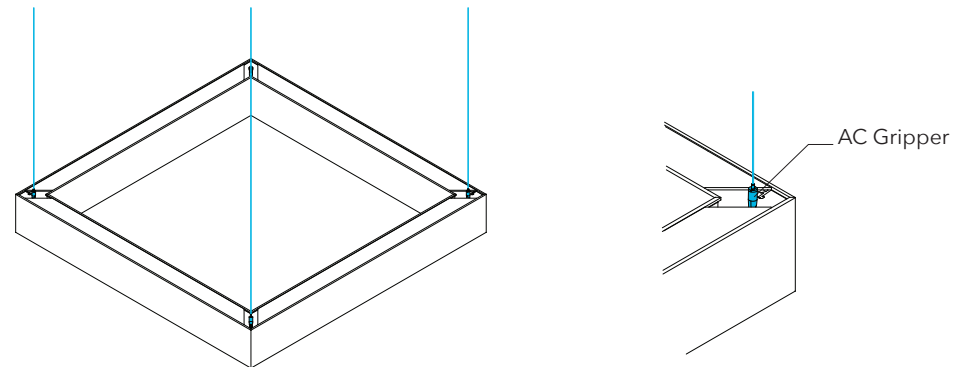
2 POWER SIDE MOUNT

Install crossbar to J-Box (by others unless grid mounting). Run SJT cord through canopy, secure with strain relief, and make wiring connections inside of J-Box. Feed aircraft cable through coupler, secure canopy to crossbar using coupler.



4 MOUNTING FIXTURE

Run AC Cable through AC Grippers in corners of fixture. Pull cable through AC Gripper to get fixture to desired height, level fixture, trim excess cable.





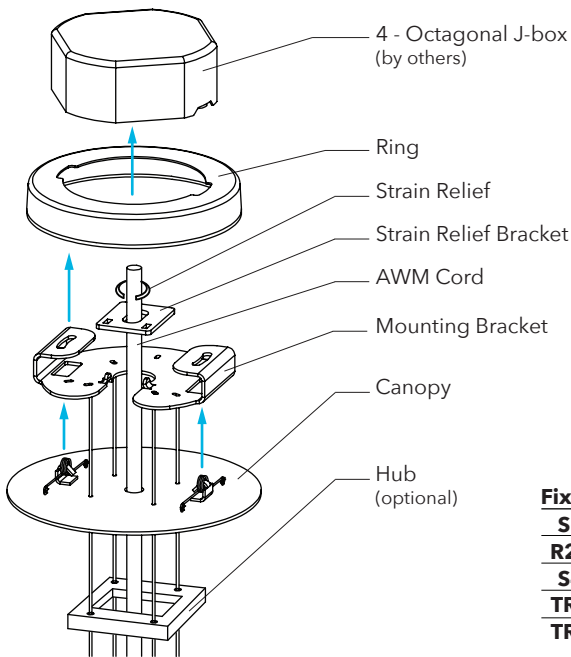
Note: EDGE Forms 4x4 requires at least 2 people to install.

1 MOUNTING PREP

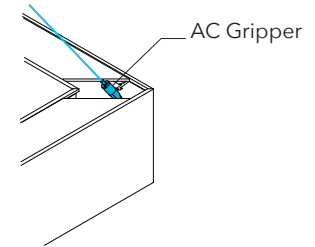
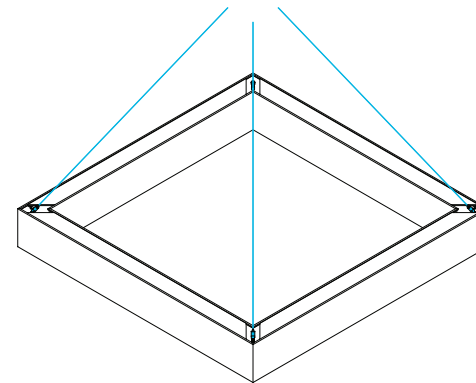
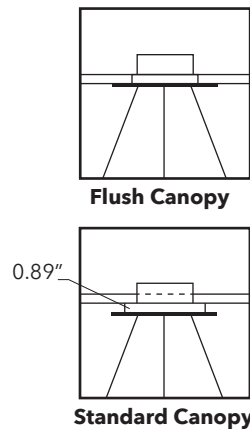
If mounting to utilize flush canopy, prep for ring to be recessed into ceiling. Install proper J-box to support fixture weight, and secure to structure. Run SJT cord through canopy and strain relief bracket into J-box and secure with strain relief, make necessary wiring connections. Install Mounting Bracket, and attach canopy to mounting bracket.

2 MOUNTING FIXTURE

Run AC Cable through AC Grippers in corners of fixture. Pull cable through AC Gripper to get fixture to desired height, level fixture, trim excess cable.



Fixture Weight	
S2	14lbs
R24	21lbs
S4	28lbs
TR2	11lbs
TR4	20lbs



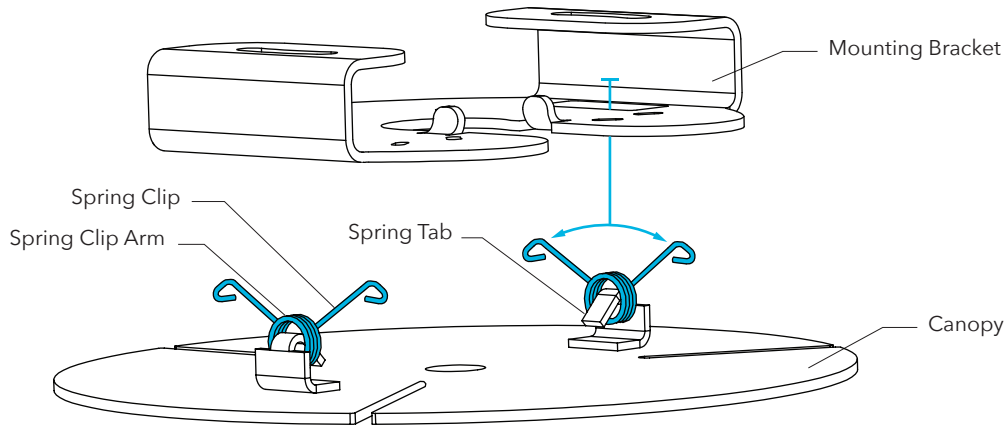
Minimum Mounting Height	
Fixture	B
S2	7"
R24	7"
S4	13"
TR2	7"
TR4	13"

Note: Hub is optional. Use Minimum Mounting Height chart as guide for using hub. Fixture CANNOT be mounted closer to Canopy/Hub than distance listed in chart for risk of causing damage to AC Cables and/or AC Gripper.



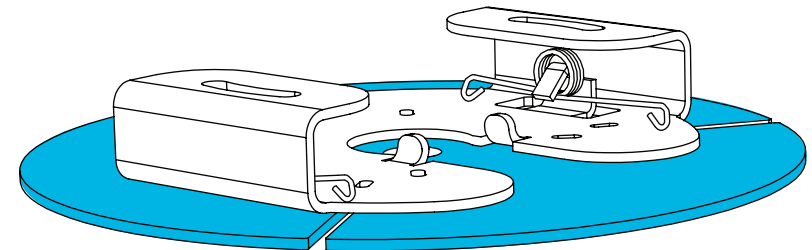
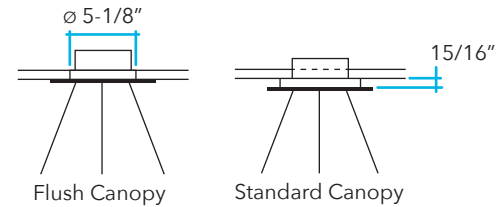
1 CANOPY INSTALLATION

Fold down spring tabs to secure spring clip. Pull up the arms of the spring clips, both clips. Slide spring clip arms into holes in mounting bracket. Springs will straighten themselves securing the canopy to the mounting bracket.



2 CANOPY REMOVAL

Pull bracket down away from mounting plate. Spring clip arms will hold onto mounting bracket. To disengage squeeze the arms together and pull them out of the mounting bracket.



Final View

DISCLAIMERS

All of Pinnacle's packaging is recyclable with the exception of the straps on the pallets. Please reach out to the factory if you need assistance in recycling any packaging components.
This product must be installed in accordance with applicable installation and electrical codes by a professional familiar with the construction and operation of the product.
Minimum 90° C supply conductor.

All electrical connections must be performed by a certified electrician to applicable local and national electrical codes.
Damaged components must never be used.
Contact Pinnacle prior to making any fixture alterations.
Contact Pinnacle with any installation questions or field issues.