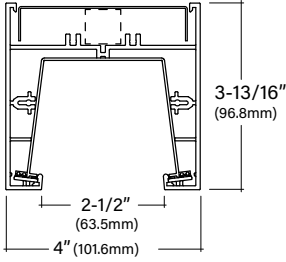


CHUTE FORMS

CDF

Y and X Open Suspended Direct Form



Key Features

- 4" wide fixture with a 2 1/2" fully luminous open aperture
- Small, integral driver option for quick, easy installation
- One-piece housing in 90° 4-leg (X) and 120° 3-leg (Y) forms
- Light Protection Guard (LPG) covers LEDs for optimal performance
- Four distinct decorative endcaps for tailored designs
- 5-year limited warranty
- Buy American Act compliant
- Product transparency with third-party verified Living Building Challenge (LBC) Declared



Declare.



Example Part #: CDF-N-850HO-Y3-AC48G1-1-EL1-1-0-W-AT

CDF - N

HOUSING	INDIRECT SHIELDING	CRI, CCT & OUTPUT	FORM	MOUNTING	VOLTAGE	DRIVER	CIRCUITING	BATTERY & EMERGENCY	FINISH	ENDCAPS	FIXTURE OPTIONS	CONTROLS
---------	--------------------	-------------------	------	----------	---------	--------	------------	---------------------	--------	---------	-----------------	----------

N	-----	-----	-----	-----	-----	-----	-----	-----	-----	-----	-----	-----
INDIRECT SHIELDING	CRI, CCT & OUTPUT¹	FORM	MOUNTING²									
N - None <i>Direct/Indirect version available - see CDIF spec sheet</i>	_27_ - 2700K _30_ - 3000K _35_ - 3500K _40_ - 4000K CL - Custom Lumens CW - Custom Watts <i>CRI, CCT & Output pg. 2</i>	LO - 250lms/ft (BLANK) - 500lms/ft HO - 750lms/ft VHO - 1000lms/ft Length or Pattern pg. 2-3	AC__G_ - AC to Grid AC__JB - AC to J Box AC__ST - AC to Structure AC5__G_ - 5" Non-Power Canopy AC5__JB - 5" Non-Power Canopy SQ__G_ - 5" Square Canopy SQ__JB - 5" Square Canopy <i>Mounting pg. 3</i>									

---	---	---	---	---	---	---	---	---	---	---	---	---
VOLTAGE	DRIVER	CIRCUITING	BATTERY & EMERGENCY³									
U - Universal (120 thru 277V, remote) 1 - 120V 2 - 277V 3 - 347V (remote) <i>Voltage pg. 4</i>	<i>Integral Driver</i> EL1 - ERP Power (1%, 0-10v, 120v or 277v) <i>Remote Drivers</i> FSD - Factory Select Driver (1%, 0-10v) PL2 - Advance Xitanium (1%, 0-10v) OL2 - eldoLED Optotronic (1%, 0-10v) OL4 - eldoLED Optotronic 347v (1%, 0-10v) EE1 - eldoLED ECOdrive (1%, 0-10v) ES1 - eldoLED SOLOdrive (0.1%, 0-10v) LH1 - Lutron Hi-lume (1%, EcoSystem) <i>Driver pg. 4</i>	1 - Single Circuit E - Emergency (entire fixture) N - Night Light (entire fixture) <i>Circuiting pg. 4</i>	0 - None _FSB - Factory Select Battery _FSG - Factory Select ALCR _GI - Iota ETS DR _GB - Bodine GTD _IRC - Iota 10W _PRD - Bodine 10W <i>Battery & Emergency pg. 4-5</i>									

---	---	---	---	---	---	---	---	---	---	---	---	---
FINISH	ENDCAPS	FIXTURE OPTIONS	CONTROLS									
W - White S - Metallic Silver BL - Textured Black BR - Bronze GR - Graphite CC - Custom Color <i>Finish pg. 5</i>	FE - Flat Endcap IB - Inward Bevel Endcap OB - Outward Bevel Endcap AT - Angled Twist Endcap <i>Endcaps pg. 5</i>	CP - Chicago Plenum (remote box) <i>Fixture Options pg. 5</i>	<i>Pinnacle is able to accommodate different control solutions from different manufacturers. Consult Factory for more information.</i>									

¹When specifying CRI, CCT & OUTPUT the first _ is for specifying either **8** - 80CRI or **9** - 90CRI. The ending ___ are for specifying output, example **HO** - High Output. See output charts for more information. ²Use ___ to specify cable length standard AC is **48"**, **120"**, **240"** or **350"**; Specify grid: **G1**=15/16", **G9**=9/16" or **GS**=Screw Slot. Example: AC48G1. ³All Battery & Emergency options are REMOTE. Choosing EL1 with either option will include the driver(s) in the remote box with battery or emergency. Enter quantity for Battery and Emergency, Example 2P.

Specifications and dimensions subject to change without notice. Specification sheets that appear on pinnacle-ltg.com are the most recent version and supersede all other previously printed or electronic versions.



CRI, CCT & Output

- 90 CRI = R9≥50
- 90 CRI not available with VHO

Custom Output - Lumens OR Wattage

CL _____	Specify CRI, CCT and desired lumens (i.e. CL8401100)	Max lumens dependent on color temp. Consult factory for more information
CW _____	Specify CRI, CCT and desired wattage (i.e. CW9407)	For custom wattage consult factory for more information

80 CRI

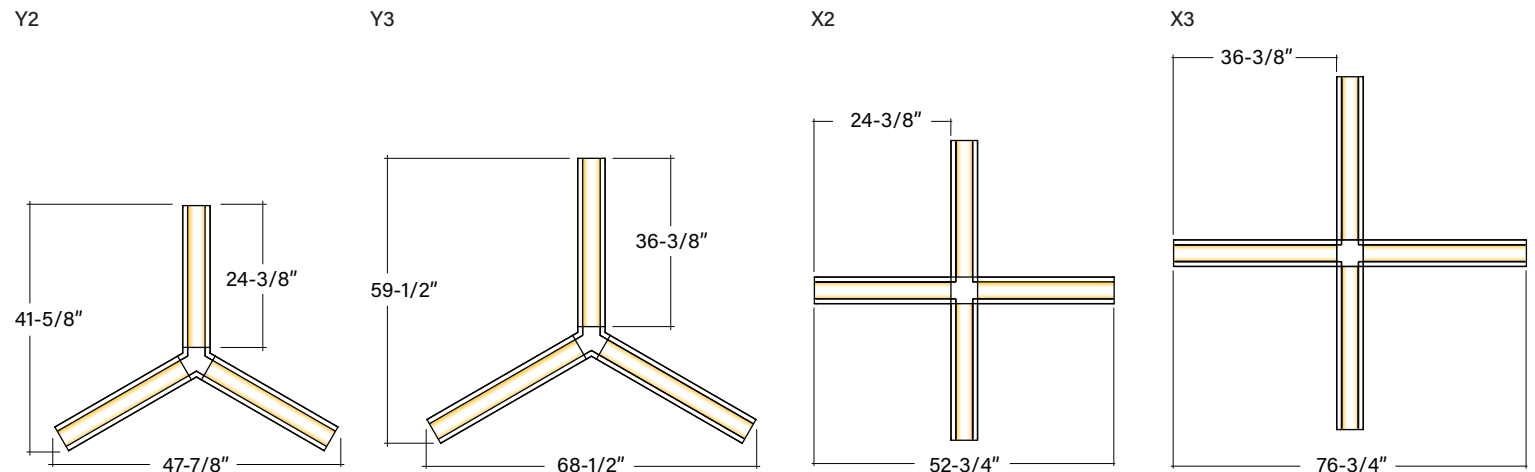
	Color	Lumens per/ft	Output ¹											
			Y2 - Y shape with 2' legs			Y3 - Y shape with 3' legs			X2 - X shape with 2' legs			X3 - X shape with 3' legs		
			Lumens	LPW	Watts	Lumens	LPW	Watts	Lumens	LPW	Watts	Lumens	LPW	Watts
830LO	3000K	250	1500	115	13.0	2250	116	19.4	2000	115	17.3	3000	117	25.6
830	3000K	500	3000	117	25.7	4500	119	37.8	4000	118	33.8	6000	122	49.2
830HO	3000K	750	4500	118	38.1	6750	121	55.8	6000	121	49.6	9000	121	74.4
830VHO	3000K	1000	6000	120	50.1	9000	120	75.1	8000	120	66.8	12000	120	100.2
835LO	3500K	250	1500	122	12.3	2250	123	18.3	2000	122	16.4	3000	123	24.4
835	3500K	500	3000	124	24.1	4500	127	35.3	4000	125	31.9	6000	130	46.0
835HO	3500K	750	4500	127	35.4	6750	130	51.9	6000	130	46.1	9000	130	69.1
835VHO	3500K	1000	6000	130	46.3	9000	130	69.4	8000	130	61.7	12000	130	92.6
840LO	4000K	250	1500	127	11.9	2250	127	17.7	2000	127	15.7	3000	128	23.4
840	4000K	500	3000	129	23.3	4500	131	34.4	4000	130	30.8	6000	135	44.5
840HO	4000K	750	4500	130	34.5	6750	134	50.3	6000	134	44.7	9000	134	67.0
840VHO	4000K	1000	6000	133	45.0	9000	133	67.5	8000	133	60.0	12000	133	90.1

90 CRI (longer lead times may apply, consult factory)

927LO	2700K	250	1500	96	15.7	2250	96	23.3	2000	96	20.8	3000	97	30.8
927	2700K	500	3000	98	30.7	4500	102	44.3	4000	102	39.4	6000	102	59.1
927HO	2700K	750	4500	101	44.7	6750	101	67.0	6000	101	59.6	9000	101	89.4
930LO	3000K	250	1500	104	14.5	2250	105	21.5	2000	105	19.1	3000	105	28.5
930	3000K	500	3000	106	28.4	4500	110	40.8	4000	108	37.1	6000	110	54.4
930HO	3000K	750	4500	109	41.1	6750	109	61.7	6000	109	54.8	9000	109	82.2
935LO	3500K	250	1500	109	13.8	2250	110	20.5	2000	110	18.2	3000	110	27.2
935	3500K	500	3000	111	27.1	4500	115	39.0	4000	113	35.5	6000	115	52.0
935HO	3500K	750	4500	114	39.3	6750	114	59.0	6000	114	52.4	9000	114	78.6
940LO	4000K	250	1500	105	14.2	2250	107	21.1	2000	107	18.8	3000	107	28.0
940	4000K	500	3000	107	27.9	4500	112	40.2	4000	109	36.6	6000	112	53.6
940HO	4000K	750	4500	111	40.5	6750	111	60.7	6000	111	54.0	9000	111	81.0

¹Lumens and watts based off 48" fixture size.

Form



Specifications and dimensions subject to change without notice. Specification sheets that appear on pinnacle-ltg.com are the most recent version and supersede all other previously printed or electronic versions.

Designed in Denver, CO • USA | pinnacle-ltg.com | O: 303-322-5570 F: 303-322-5568

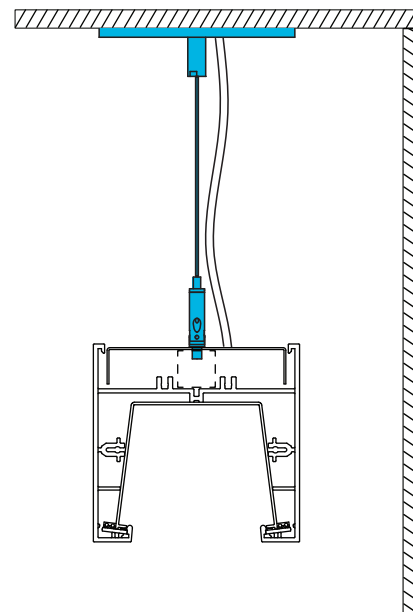
CDF_LED_SPEC_NOV2024



Mounting

- Specify cable length in ordering code (AC48G1)
- Standard specifiable lengths are 48", 120", 240" and 350"
- End plates and power cord attached at factory
- Aircraft Cable supplied with 5" (127mm) power and 2" (50.8mm) non-power canopies
- Canopies are painted to match fixture finish, power cords are white or black depending on fixture finish. See Finish section for additional details
- Approved for dry/damp location unless otherwise noted
- Refer to installation instructions during installation at the job site
- Maximum fixture weight is 6 lbs/ft
- For integral driver version, access for wiring and drivers through the indirect side of the fixture only

AC__G1	Aircraft Cable 1" (15/16") T-Bar
AC__G9	Aircraft Cable 9/16" T-Bar
AC__GS	Aircraft Cable Screw Slot T-Bar
AC__JB	Aircraft Cable Junction Box
AC__ST	Aircraft Cable Structure
AC5_G_	Aircraft Cable 5" (127mm) Non-Power Canopy
AC5_JB	Aircraft Cable 5" (127mm) Non-Power Canopy
SQ__G_	Aircraft Cable 5" (127mm) Square Canopy
SQ__JB	Aircraft Cable 5" (127mm) Square Canopy



Voltage

- Some CHUTE configurations will not accommodate all voltage options; consult with factory
- For EL1 driver, must specify 120v or 277v

U	Universal <i>(remote)</i>
1	120 volt
2	277 volt
3	347 volt <i>(remote)</i>



Driver

- Driver Lifetime: 50,000 hours at 25°C ambient operating conditions
- For more driver options, see Pinnacle Resource Guide
- Some CHUTE configurations will not accommodate all driver options; consult with factory
- EL1 driver is integral to the fixture housing. Remote box necessary for all drivers OTHER THAN the EL1

- Osram and Lutron Drivers have a remote distance limitation of 10'
- eldoLED Optotronic, eldoLED spec and Advance Drivers have an average remote distance limitation of 50'. Consult Factory for specific configurations
- REMOTE BOX(ES) CONFIGURATIONS DEPENDANT ON LUMEN PACKAGE AND FORM SIZE. Contact factory for more information.

Integral Driver

EL1 ERP Power 1%, 0-10v, requires 120 or 277

Remote Driver

0-10V Drivers

FSD	Factory Select Driver (1%, 0-10v)
PL2	Signify Advance Xitanium 1%, 0-10v
PL4	Advance Xitanium 347v 1%, 0-10v, requires 347v
OL2	eldoLED Optotronic, 1%, 0-10v
OL4	eldoLED Optotronic 347v, 1% 0-10v, requires 347v
EE1	eldoLED ECOdrive 1%, 0-10v Logarithmic
EE2	eldoLED ECOdrive 1%, 0-10v Linear
ES1	eldoLED SOLOdrive 0.1%, 0-10v, Logarithmic
ES2	eldoLED SOLOdrive 0.1%, 0-10v, Linear

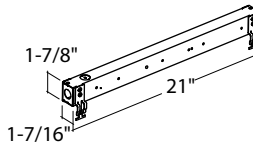
DALI Drivers

EE3	eldoLED ECOdrive 1%, DALI 2 Logarithmic, DT6
ES3	eldoLED SOLOdrive 0.1%, DALI 2 Logarithmic, DT6
OD1	eldoLED Optotronic 1%, DEXAL, DALI 2, DT6

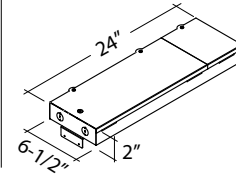
Lutron Drivers

LH1 Lutron Hi-lume Soft-on, Fade-to-black 1%, EcoSystem, LDE1

Slim Remote Box



Standard Remote Box



How to specify Circuiting, Battery and Emergency

- 1**
- Select fixture circuiting from options below
 - Some CHUTE configurations will not accommodate all circuiting options, consult with factory
 - Section wiring not available within an individual Form. Emergency circuit and Nightlight circuit options are for designation purposes only.

Circuiting

1	Single Circuit
E	Emergency Circuit only
N	Night Light Circuit only

- 2** + **3**
- Battery and emergency options are available in addition to fixture circuit
 - Select battery and emergency options below; factory shop drawing required
 - Some CHUTE configurations will not accommodate all circuiting options, consult with factory

Battery and/or Emergency *If Required*

0 No battery or specific emergency section required

Specifications and dimensions subject to change without notice. Specification sheets that appear on pinnacle-ltg.com are the most recent version and supersede all other previously printed or electronic versions.



Battery

- Battery is REMOTE.
- Battery operates between 1-4 fixture legs depending on fixture shape and size.
- For approx. battery lumen output, multiply battery wattage and fixture LPW shown on lumen table.
- Select battery section type if required, indicate total QTY. *Example 2PL*
- 90 minute battery runtime; test button is remote to fixture and requires an additional drop.
- For EL1 driver configurations with emergency battery option, driver and battery will be remote.
- For more battery options available, see [Pinnacle Resource Guide](#).

0	No Battery
_FSB	Factory Select Battery 10W <i>(remote in box)</i>
_FSBST	Factory Select Battery 10w, Self Testing <i>(remote in box)</i>
_IRC	Iota 10w Dual conduit flex <i>(remote with conduit)</i>
_PRD	Bodine 10w Dual conduit flex <i>(remote with conduit)</i>

For Approximate Battery Lumen Output

- Multiply battery wattage X fixture LPW shown on Lumen Table
- 120 (LPW) x 10 (watts) = 1200 battery lumen output

Emergency

- Emergency is REMOTE
- For EL1 driver configurations with emergency option, driver and emergency will be remote.
- Select emergency type if required, indicate total QTY. *Example 1E*
- Combine battery and emergency ordering codes if both options are selected.

_FSG	Factory Select ALCR, Emergency Control Device, UNV
_GI	Iota ETS-DR, Emergency Control Device, UNV
_GB	Bodine GTC, Emergency Control Device, 120v or 277v

Battery OR Emergency Ordering Examples

• Single circuit, 10w Battery	Ordering Code: 1-1PLL
• Emergency only, 10w Battery	Ordering Code: E-1PLL
• Single circuit, GTD required	Ordering Code: 1-1GB

Finish

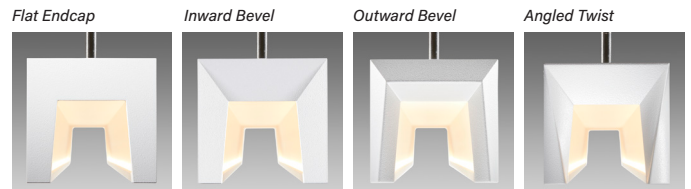
- Standard powder-coat textured white, metallic silver, textured black, graphite or bronze painted finish; consult factory for chip of standard paint finishes.
- Center hub will be painted to specified finish, inside and outside.
- Selecting a fixture finish other than white may impact lumen output; consult factory for more information.

W	White <i>(white cord/white canopy)</i>
S	Metallic Silver <i>(white cord/silver canopy)</i>
BL	Textured Black <i>(black cord/black canopy)</i>
BR	Bronze <i>(white cord/bronze canopy)</i>
GR	Graphite <i>(white cord/graphite canopy)</i>
CC	Custom Color <i>(white cord/color match canopy)</i>

Endcaps

- Endcap MUST be specified.

FE	Flat Endcap
IB	Inward Bevel Endcap
OB	Outward Bevel Endcap
AT	Angled Twist Endcap



Fixture Options

- Additional options to enhance the fixture and finish of the product.

DSP	Customer Supplied Battery/Driver/Sensor
CP	Chicago Plenum, applies to remote box

Controls

- Pinnacle is able to accommodate different control solutions from different manufacturers. Consult Factory for more information.

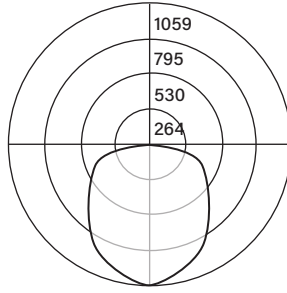
Specifications and dimensions subject to change without notice. Specification sheets that appear on pinnacle-ltg.com are the most recent version and supersede all other previously printed or electronic versions.



Photometrics

Open

Test #	Scaled from ITL93-69
Catalog #	CD-N-835VHO-4
Lumens	3164 lm
Watts	25.8 W
Efficacy	122 LPW



NOTE: For accurate light calculations of Chute Forms using lighting design software, Pinnacle recommends assembling an arrangement from individual 2-foot or 3-foot Leg Chute Form IES files. Refer to the Chute Forms IES Instructions for more details.

Applications & Certificates

Construction: 6063-T6 Extruded aluminum housing with machined aluminum central hub. Highly reflective coextruded acrylic reflector with LED protection guard.

Mounting: Aircraft cable mounting. Aircraft Cable supplied with 5" (127mm) power and 2" (50.8mm) non-power canopies. Refer to installation instructions for appropriate ceiling detail. Maximum fixture weight is 6 lbs/ft.

LED: 25°C test environment. Lumen output/wattage has a margin of +/- 5%. Luminaire configurations tested in accordance with IES LM-79. Diodes tested in accordance with IES LM-80. Lifetime calculated using IES TM-21. TM-21-21 Lifetime Rating L70 = >72,000 hours, L90 = 66,900 hours. MacAdam 3-Step Ellipses. For all available IES files, please visit our website at pinnacle-ltg.com.

CRI, CCT & Output: Not all lumen packages available. Four lumen packages available. Low (LO), Standard (blank), High (HO) and Very High (VHO). Custom outputs are available. Specify custom lumens or watts between standard offering listed on CRI, CCT & Output page. 80 CRI is available for 3000K, 3500K, and 4000K. 90 CRI is available for 2700K, 3000K, 3500K and 4000K. 90 CRI = R9≥50.

Voltage: Universal (U), 120 volt (1), 277 volt (2) and 347 volt (3) options available. Must specify PL4 or OL4 in Driver section when 347 volt (3) is selected. Some CHUTE configurations will not accommodate all voltage options; consult with factory.

Driver: Standard Driver Option is 0-10V, 1%. Electronic driver, Power factor is >0.9 with a THD <20%. Driver Lifetime: 50,000 hours at 25°C ambient operating conditions. Ambient operating range: -20°F/-30°C to 98°F/37°C. For more driver options, see Pinnacle Resource Guide. Some CHUTE configurations will not accommodate all driver options.

Circuiting: Select from single circuit (1), dual circuit (2), Emergency circuit (E) or Night Light circuit (N). Some CHUTE configurations will not accommodate all circuiting options; consult with factory.

Remote Mounting Guide (Advance & eldoLED)

Distance limited by max input watts shown, Direct & Indirect should be calculated separately

Max Distance	50'	50'+
Y2/Y3/X2/X3	All configurations	Contact factory if more than 50' needed

Battery & Emergency: Select battery or emergency options if required. If battery or emergency option is not required, enter 0. Battery duration is 90 minutes as standard. Test button is remote to fixture. For more Battery options, see Pinnacle Resource Guide.

Finish: Standard powder-coat textured white, metallic silver, textured black, graphite or bronze painted finish; consult factory for chip of standard paint finishes. Canopies painted to match fixture specified fixture finish. Contact factory for additional custom color and finish options.

Controls: Mod options available, consult with factory.

Labels: UL and cUL 2108 or 1598 listed depending on product configuration. Approved for dry/damp location unless otherwise noted.

Sustainability: All models are Living Building Challenge (LBC) Declared with third-party verification. The Declare Label from ILFI provides transparent insights into materials, sourcing, and environmental impact, promoting informed, sustainable choices that benefit both people and the planet. View the label [here](#).

Fixture Weight: Maximum fixture weight is 6 lbs/ft.

Buy American Act Compliant

Warranty: CHUTE LED offered with a 5-year limited warranty. Covers LED, driver and fixture.