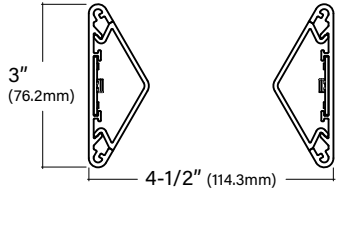


SORREL FORMS

S3NF

Y and X Suspended Direct/Indirect Form

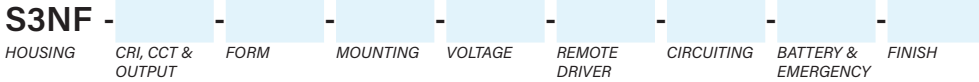


Key Features

- Open triangular shape creates unique aesthetic while providing functional output
- One-piece housing forms in 90° 4-leg (X) and 120° 3-leg (Y)
- Combined suspension and power cable for clean installation
- Neutral fixture distribution is 50% direct /50% indirect.



Example Part #: S3NF-835HO-X3-CAC48JB-U-FSD-1-0-W



CRI, CCT & OUTPUT ¹	LENGTH OR PATTERN	MOUNTING ²	VOLTAGE
_27__ - 2700K _30__ - 3000K _35__ - 3500K _40__ - 4000K CL _____ - Custom Lumens CW _____ - Custom Watts Output pg. 2	Y2 - Y Shape with 2' legs Y3 - Y Shape with 3' legs X2 - X Shape with 2' legs X3 - X Shape with 3' legs Length or Pattern pg. 2-3	CAC__G_ - Conductive AC to Grid CAC__JB - Conductive AC to J Box Mounting pg. 3	U - Universal (120 thru 277V) 1 - 120V 2 - 277V 3 - 347V Voltage pg. 4
REMOTE DRIVER	CIRCUITING	REMOTE BATTERY & EMERGENCY ³	FINISH
FSD - Factory Select Driver (1%, 0-10v) PL2 - Advance Xitanium (1%, 0-10v) PL4 - Advance Xitanium (1%, 0-10v, 347v) OL2 - eldoLED Optotronic (1%, 0-10v) EE1 - eldoLED ECOdrive (1%, 0-10v) ES1 - eldoLED SOLOdrive (0%, 0-10v) LH1 - Lutron Hi-lume (1%, EcoSystem) Driver pg. 4	1 - Single Circuit E - Emergency (entire fixture) N - Night Light (entire fixture) Circuiting pg. 4	0 - None _FSB - Factory Select Battery _PLL - Bodine 10W Battery _ILL - Iota 10W Battery _FSG - Factory Select ALCR _GI - Iota ETS DR _GB - Bodine GTD Battery and Emergency pg. 5	W - White S - Metallic Silver BL - Textured Black BR - Bronze GR - Graphite CC - Custom Color Finish pg. 5

CONTROLS
Pinnacle is able to accommodate different control solutions from different manufacturers. Consult factory for more information.

¹When specifying CRI, CCT & OUTPUT the first _ is for specifying either 8 - 80CRI or 9 - 90CRI. The ending __ are for specifying output, example HO - High Output. See output charts for more information. ²Use __ to specify cable length standard AC is 48", or 120"; Specify grid: G1=15/16", G9=9/16" or GS=Screw Slot. Example: CAC48G1. ³All Battery and Emergency options are REMOTE. Enter quantity for Battery and Emergency, Example 1PLL. Emergency and Night Light will be entire fixture.

Specifications and dimensions subject to change without notice. Specification sheets that appear on pinnacle-ltg.com are the most recent version and supersede all other previously printed or electronic versions.



Output

- Specify either 80 or 90 CRI
- Longer lead-time may apply for 90 CRI consult factory
- 90 CRI = R9≥61

Custom Output - Lumens OR Wattage

CL _____	Specify CRI, CCT and desired lumens (i.e. CL8405500)	Max lumens: 1,100lm/ft. Max lumens dependent on color temp. Consult factory for more information
CW _____	Specify CRI, CCT and desired wattage (i.e. CW94032)	Max watts: 10.5w/ft. Consult factory for more information

A Lens - 80 CRI

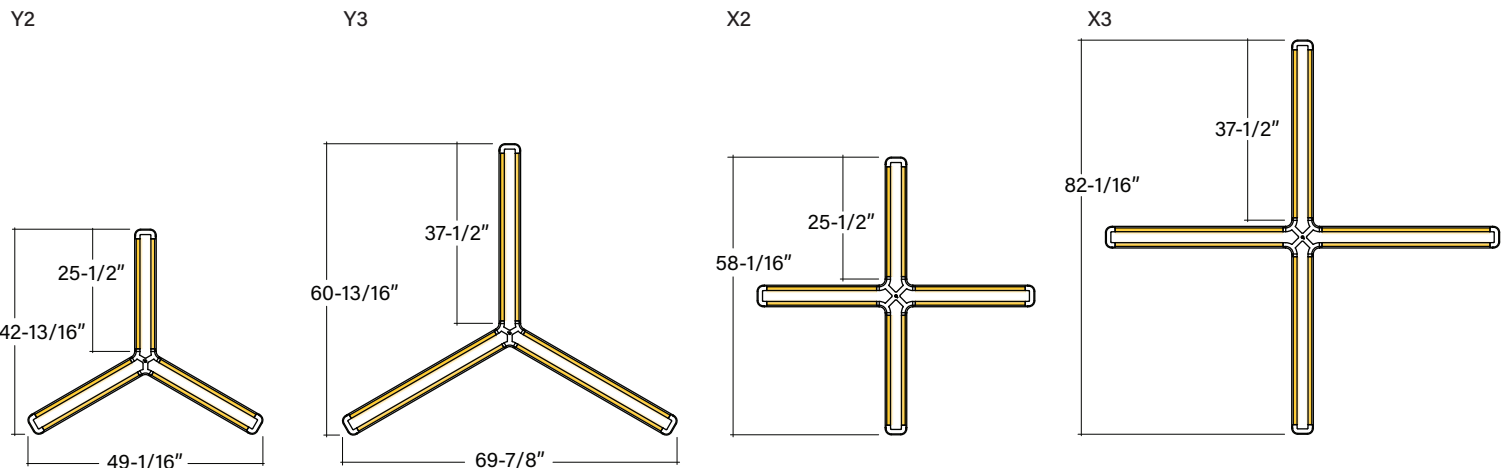
	Color	Lumens per/ft	A Lens Output ¹											
			Y2 - Y shape with 2' legs			Y3 - Y shape with 3' legs			X2 - X shape with 2' legs			X3 - X shape with 3' legs		
			Lumens	LPW	Watts	Lumens	LPW	Watts	Lumens	LPW	Watts	Lumens	LPW	Watts
830LO	3000K	500	3000	122	24.6	4500	122	36.9	4000	122	32.8	6000	122	49.3
830MO	3000K	750	4500	122	36.9	6750	122	55.4	6000	122	49.3	9000	122	73.9
830HO	3000K	1000	6000	123	48.8	9000	123	73.2	8000	123	65.1	12000	123	97.7
835LO	3500K	500	3000	125	24.0	4500	125	36.0	4000	125	32.0	6000	125	48.0
835MO	3500K	750	4500	125	35.9	6750	125	53.8	6000	125	47.8	9000	125	71.8
835HO	3500K	1000	6000	126	47.5	9000	126	71.3	8000	126	63.4	12000	126	95.0
840LO	4000K	500	3000	127	23.6	4500	127	35.4	4000	127	31.5	6000	127	47.2
840MO	4000K	750	4500	127	35.3	6750	127	52.9	6000	127	47.1	9000	127	70.6
840HO	4000K	1000	6000	128	46.7	9000	128	70.1	8000	128	62.3	12000	128	93.5

A Lens - 90 CRI (longer lead times may apply, consult factory)

927LO	2700K	500	3000	100	30.1	4500	100	45.1	4000	100	40.1	6000	100	60.1
927MO	2700K	750	4500	100	44.8	6750	100	67.2	6000	100	59.7	9000	100	89.6
927HO	2700K	1000	6000	100	60.2	9000	100	90.2	8000	100	80.2	12000	100	120.3
930LO	3000K	500	3000	103	29.1	4500	103	43.7	4000	103	38.8	6000	103	58.2
930MO	3000K	750	4500	104	43.3	6750	104	65.0	6000	104	57.8	9000	104	86.7
930HO	3000K	1000	6000	103	58.1	9000	103	87.2	8000	103	77.5	12000	103	116.2
935LO	3500K	500	3000	105	28.6	4500	105	42.9	4000	105	38.2	6000	105	57.2
935MO	3500K	750	4500	106	42.6	6750	106	63.9	6000	106	56.8	9000	106	85.2
935HO	3500K	1000	6000	105	57.1	9000	105	85.7	8000	105	76.2	12000	105	114.3
940LO	4000K	500	3000	108	27.9	4500	108	41.8	4000	108	37.2	6000	108	55.8
940MO	4000K	750	4500	108	41.5	6750	108	62.3	6000	108	55.4	9000	108	83.0
940HO	4000K	1000	6000	108	55.6	9000	108	83.5	8000	108	74.2	12000	108	111.3

¹Lumens and watts based off 48" fixture size.

Form



Specifications and dimensions subject to change without notice. Specification sheets that appear on pinnacle-ltg.com are the most recent version and supersede all other previously printed or electronic versions.

Designed in Denver, CO • USA | pinnacle-ltg.com | O: 303-322-5570 F: 303-322-5568

S3NF_LED_SPEC_SEPTEMBER2024



Mounting

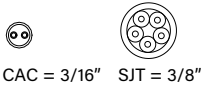
- Specify cable length in ordering code (CAC48G1)
- Standard specifiable lengths are 48" or 120", consult factory for longer lengths
- End plates and power cord attached at factory
- Canopies are painted to match fixture finish, power cords are white or black depending on fixture finish. See Finish section for additional details

CAC __ G1	Conductive AC to 1" (15/16") T-Bar
CAC __ G9	Conductive AC to 9/16" T-Bar
CAC __ GS	Conductive AC to Screw Slot T-Bar
CAC __ JB	Conductive AC to Junction Box

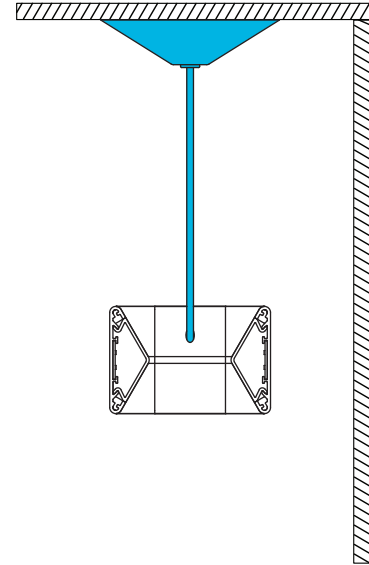
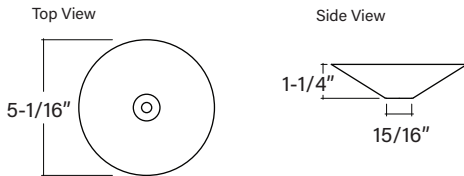
- Approved for dry/damp location unless otherwise noted
- Refer to installation instructions during installation at the job site
- Maximum fixture weight is 22lbs

Mounting Details

- CAC is an integrated power and suspension cable that is smaller in diameter than a traditional SJT cable. CAC is 2 or 4 conductive cables and suspension, standard power cable (SJT) is 5 conductive cables and no suspension.



- A larger power side canopy allows for adjustability of the CAC cable inside of the canopy.



Voltage

- Some SORREL configurations will not accommodate all voltage options; consult with factory

U	Universal
1	120 volt
2	277 volt
3	347 volt

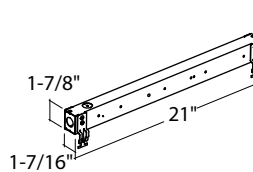
Remote Driver

- Standard Driver Option = FSD 1% dimming, 0-10v
- Driver count dictated by product configuration
- Driver Lifetime: 50,000 hours at 25°C ambient operating conditions
- For more driver options, see Pinnacle Resource Guide
- Some SORREL configurations will not accommodate all driver options; consult with factory

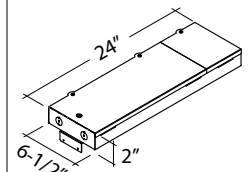
- eldoLED Optotronic and Lutron Drivers have a remote distance limitation of 10'
- eldoLED ECOdrive/SOLOdrive and Advance Drivers have an average remote distance limitation of 50'. Consult Factory for specific configurations
- REMOTE BOX(ES) CONFIGURATIONS DEPENDANT ON LUMEN PACKAGE AND FORM SIZE. Contact factory for more information

0-10V Drivers	
FSD	Factory Select Driver, 1%, 0-10v
PL2	Advance Xitanium, 1%, 0-10v
PL4	Advance Xitanium 347v, 1%, 0-10v (requires 347v option)
OL2	eldoLED Optotronic, 1%, 0-10v
OL4	eldoLED Optotronic 347v, 1% 0-10v (requires 347v option)
EE1	eldoLED ECOdrive 1%, 0-10v (logarithmic)
EE2	eldoLED ECOdrive 1%, 0-10v (linear)
ES1	eldoLED SOLOdrive 0%, 0-10v (logarithmic)
ES2	eldoLED SOLOdrive 0%, 0-10v (linear)
DALI Drivers	
EE3	eldoLED ECOdrive 1%, DALI 2, DT6 (logarithmic)
ES3	eldoLED SOLOdrive .1%, DALI 2, DT6 (logarithmic)
Lutron Drivers	
LH1	Lutron Hi-lume Soft-on, Fade-to-Black 1%, EcoSystem, LDE1

Slim Remote Box



Standard Remote Box



Specifications and dimensions subject to change without notice. Specification sheets that appear on pinnacle-ltg.com are the most recent version and supersede all other previously printed or electronic versions.



How to specify Circuiting, Battery and Emergency

- 1**
- Select fixture circuiting from options below
 - Some SORREL configurations will not accommodate all circuiting options, consult with factory
 - Section wiring not available within an individual Form. Emergency circuit and Nightlight circuit options are for designation purposes only.

Circuiting

1	Single Circuit
E	Emergency Circuit
N	Night Light Circuit

- 2** + **3**
- Battery and emergency options are available in addition to fixture circuit
 - Select battery and emergency options below; factory shop drawing required
 - Some SORREL configurations will not accommodate all circuiting options, consult with factory
 - Configurations with battery or emergency device will require Standard Remote Box

Battery and/or Emergency

- 0** No battery or specific emergency section required

Battery

- Battery is REMOTE
- Battery operates between 1-4 fixture legs depending on fixture shape and size. For approx. battery lumen output, multiply battery wattage and fixture LPW shown on lumen table.
- Select battery type if required, indicate total QTY. *Example 2PLL*

- 90 minute battery runtime; test button is remote to fixture
- PLL and ILL not available with VHO and 927HO
- For more battery options available, see [Pinnacle Resource Guide](#)

_FSB	Factory Select Battery 10W <i>(remote in box)</i>
_FSBST	Factory Select Battery 10w, Self Testing <i>(remote in box)</i>
_ILL	Iota 10w Lithium, Self Testing <i>(remote in box)</i>
_IRC	Iota 10w Dual conduit flex <i>(remote with conduit)</i>
_PLL	Bodine 10w Lithium, Self Testing <i>(remote in box)</i>
_PRD	Bodine 10w Dual conduit flex <i>(remote with conduit)</i>

For Approximate Battery Lumen Output

- Multiply battery wattage X fixture LPW shown on Lumen Table
- 10 (watts) x 92.3 (LPW) = 923 battery lumen output

Emergency

- Emergency is REMOTE
- Select emergency type if required, indicate total quantity. *Example 1E*
- Emergency or Night Light will be entire fixture

_FSG	Factory Select ALCR, Emergency Control Device, UNV
_GI	Iota ETS-DR, Emergency Control Device, UNV
_GB	Bodine GTD, Emergency Control Device, 120v or 277v

Battery OR Emergency Ordering Examples

- | | |
|--------------------------------|-----------------------|
| • Single circuit, 10w battery | Ordering Code: 1-1PLL |
| • Emergency only, 10w battery | Ordering Code: E-1PLL |
| • Single circuit, GTD required | Ordering Code: 1-1GB |

Finish

- Standard powder-coat textured white, metallic silver, textured black, graphite or bronze painted finish; consult factory for chip of standard paint finishes
- Selecting a fixture finish other than white may impact lumen output; consult factory for more information

W	White <i>(white cord/white canopy)</i>
S	Metallic Silver <i>(white cord/silver canopy)</i>
BL	Textured Black <i>(black cord/black canopy)</i>
BR	Bronze <i>(white cord/bronze canopy)</i>
GR	Graphite <i>(white cord/graphite canopy)</i>
CC	Custom Color <i>(white cord/custom color canopy to match fixture)</i>

Controls

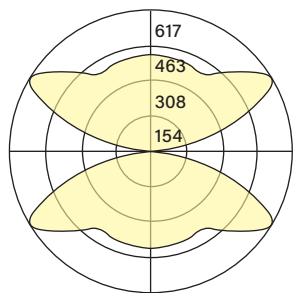
- Pinnacle is able to use solutions from different manufacturers. Consult factory for more information.



Photometrics

Satine Lens

Test # REP-052322-02
 Catalog # S3N-840HO
 Lumens 3868
 Watts 30.4
 Efficacy 127.2



Distribution is 50% direct /
 50% indirect

NOTE: For accurate light calculations of Chute Forms using lighting design software, Pinnacle recommends assembling an arrangement from individual 2-foot or 3-foot Leg Chute Form IES files. Refer to the Chute Forms IES Instructions for more details.

Applications & Certificates

Construction: 6063-T6 Extruded aluminum housing. Highly reflective die-formed white painted reflector.

Shielding: Diffuse snap-in acrylic lens with matte finish, removable for maintenance.

Mounting: Conductive aircraft cable mount available. Power mount supplied with conductive aircraft cable and round 5" diameter canopy. Non-power supplied with aircraft cable and 2" (50.8mm) canopy. Refer to installation instructions for appropriate ceiling detail.

LED: 25°C test environment. Lumen output/wattage has a margin of +/- 5%. Luminaire configurations tested in accordance with IES LM-79. Diodes tested in accordance with IES LM-80. Lifetime calculated using IES TM-21. TM-21-21 Lifetime Rating L70 = >102,000 hours, L90 = 60,600 hours. MacAdam 3-Step Ellipses. For all available IES files, please visit our website at pinnacle-ltg.com.

CRI, CCT & Output: Not all lumen packages available. Three lumen packages available. Low (LO), Medium (MO) and High (HO). Custom outputs are available. Specify custom lumens or watts between standard offering listed on CRI, CCT & Output page. 80 CRI is available for 3000K, 3500K, and 4000K. 90 CRI is available for 2700K, 3000K, 3500K and 4000K. 90 CRI = R9≥50.

Voltage: Universal (U), 120 volt (1), 277 volt (2) and 347 volt (3) options available. Must specify PL4 or OL4 in Driver section when 347 volt (3) is selected. Some SORREL configurations will not accommodate all voltage options; consult with factory.

Driver: Standard Driver Option is 0-10V, 1%. Electronic driver, Power factor is >0.9 with a THD <20%. Driver Lifetime: 50,000 hours at 25°C ambient operating conditions. Ambient operating range: -20°F/-30°C to 98°F/37°C. For more driver options, see Pinnacle Resource Guide. Some SORREL configurations will not accommodate all driver options.

Remote Mounting Guide (Advance & eldoLED ECOdrive/SOLOdrive)

Max Distance	50'	50'+
Y2/Y3/X2/X3	All configurations (16 ga or larger wire recommended)	Contact factory if more than 50' needed

Circuiting: Select from single circuit (1), Emergency circuit (E) or Night Light circuit (N). Housings cannot be split into multiple circuits. Some SORREL configurations will not accommodate all circuiting options; consult with factory.

Battery & Emergency: Select battery or emergency options if required. If battery or emergency option is not required, enter 0. Battery duration is 90 minutes as standard. Test button is remote to fixture. Standard battery and emergency device options will be installed in standard remote box. For more battery options, see Pinnacle Resource Guide.

Finish: Standard powder-coat textured white, metallic silver, textured black, graphite or bronze painted finish; consult factory for chip of standard paint finishes. Contact factory for additional custom color and finish options.

Controls: Consult factory.

Labels: UL and cUL Listed. Low, Medium and High Output lumen packages are approved for dry/damp location unless otherwise noted.

Fixture Weight: Maximum fixture weight is 22 lbs

Buy American Act Compliant Some options are not Buy American Act Compliant, please contact factory for more information.

Warranty: SORREL offered with a 5-year limited warranty. Covers LED, driver and fixture.