

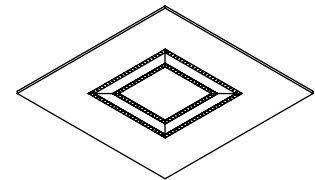
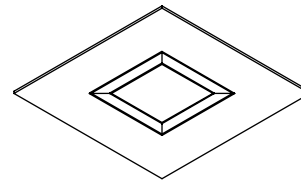
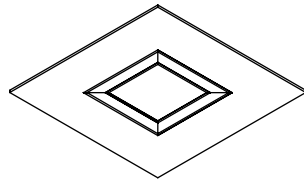
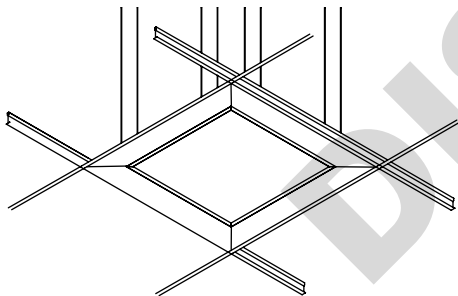


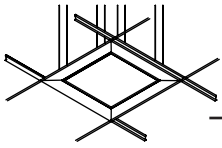
QIVI RECESSED INSTALLATION INSTRUCTIONS

Grid Ceiling Installation.....	2-5
Flanged Mount Installation.....	6-8
Non-Flanged Mount Installation.....	9-11
Spackle Flange Mount Installation.....	12-14



QIVI RECESSED GRID CEILING INSTALLATION





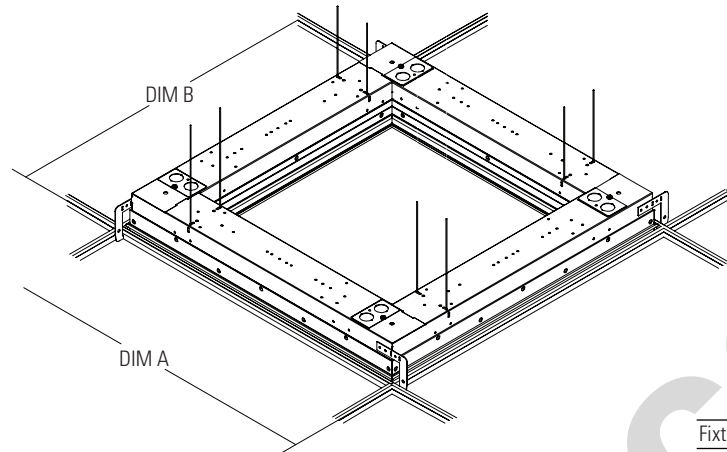
QIVI

Grid Ceiling Mount

Return to
Main Menu

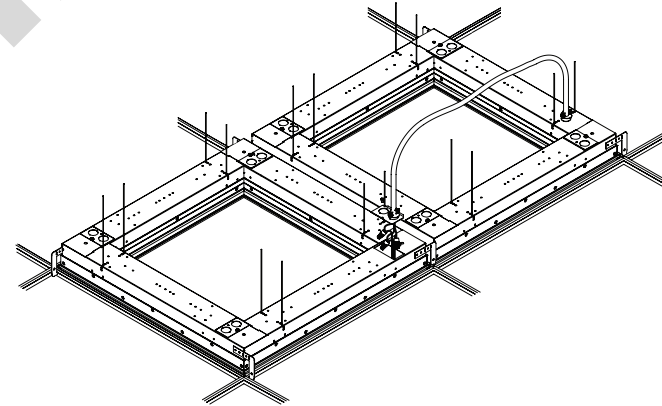
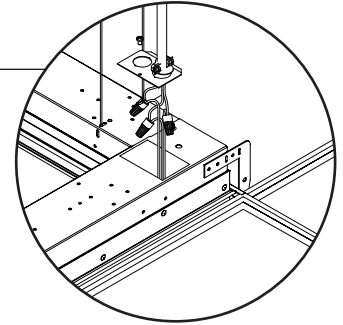
Step 1: T-Grid Installation

1. Position fixture up through grid opening.
2. Lower fixture so fixture flanges rest on T-Grid.
3. Tie off fixture to structure with retention wires (by others).
4. Cut the tiles and install. (see page 5 for dimensions)



Step 2: Making the Connections

1. Remove electrical cover, remove knockout, attach building supplied conduit.
2. Make electrical connections, recess wires into fixture cavity and attach cover.



Grid Prep Chart

Fixture	DIM A	DIM B
2x2	24"	24"
2x4	24"	48"
4x4	48"	48"

Max Fixture Weight

2x2	17lbs.
2x4	27.4lbs.
4x4	37.6lbs.

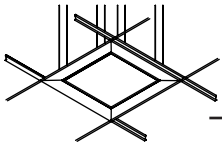
Through-wiring Option *shown with optional flex whip.

1. Fixtures are shipped with knock out removed and wires for joining fixtures extended from housing.
2. Pull wiring from fixture 1 into fixture 2. Make wiring connections in fixture 2.



1. This product must be installed in accordance with applicable installation and electrical codes by a professional familiar with the construction and operation of the product.
2. Minimum 90°C supply conductors.
3. All electrical connections must be performed by a certified electrician to applicable local and national electrical codes.

4. Contact Pinnacle prior to making any fixture alterations.
5. Contact Pinnacle with any installation questions or field issues.
6. All of Pinnacle's packaging is recyclable with the exception of the straps on the pallets. Please reach out to the factory if you need assistance in recycling any packaging components.



QIVI

4x4 Grid Ceiling Mount

Return to
Main Menu

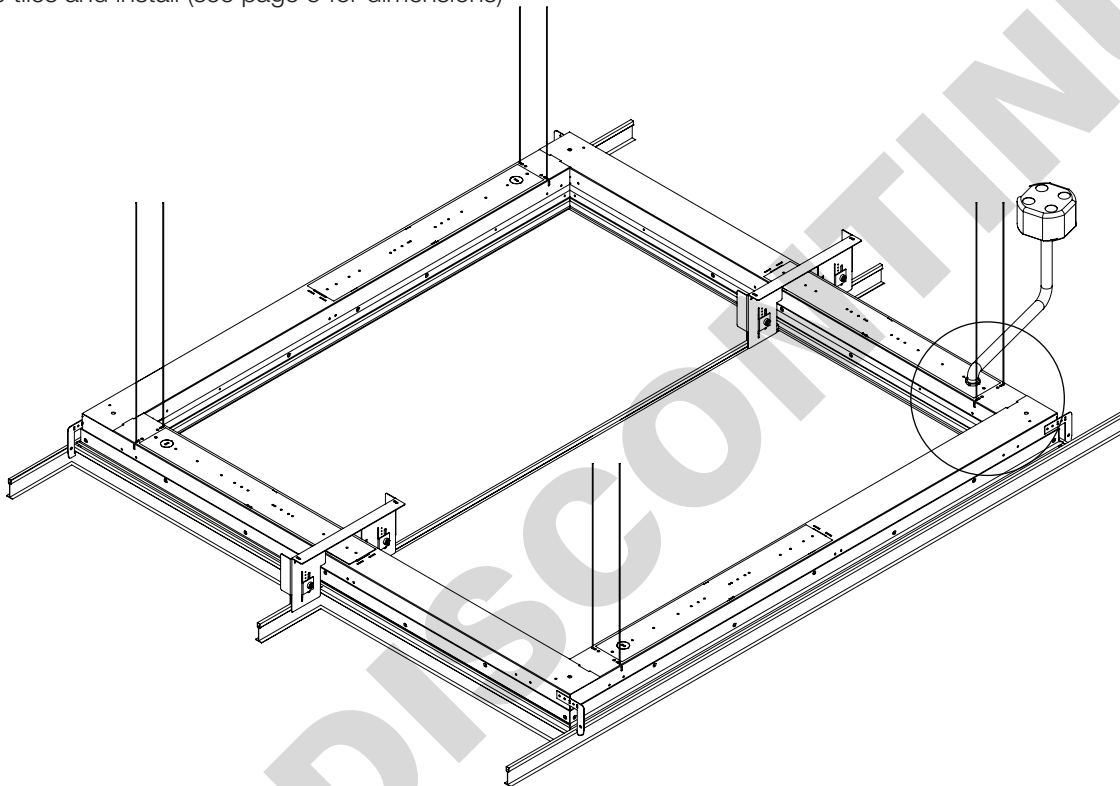
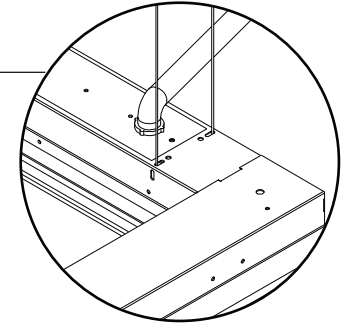
Note: Qivi 4x4 requires at least 2 people to install.

Step 1: 4x4 Installation

1. Create the 4X4 grid opening without the center spline.
2. Install the fixture into the 4X4 grid and tie off to structure.
3. Insert the cut cross member into the center cut out and attach it with the Bracing brackets on either side.
4. Cut the tiles and install (see page 5 for dimensions)

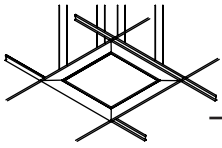
Step 2: Making the Connections

1. Remove electrical cover, remove knockout, attach building supplied conduit.
2. Make electrical connections, recess wires into fixture cavity and attach cover.



1. This product must be installed in accordance with applicable installation and electrical codes by a professional familiar with the construction and operation of the product.
2. Minimum 90°C supply conductors.
3. All electrical connections must be performed by a certified electrician to applicable local and national electrical codes.

4. Contact Pinnacle prior to making any fixture alterations.
5. Contact Pinnacle with any installation questions or field issues.
6. All of Pinnacle's packaging is recyclable with the exception of the straps on the pallets. Please reach out to the factory if you need assistance in recycling any packaging components.



QIVI

Grid Ceiling Mount

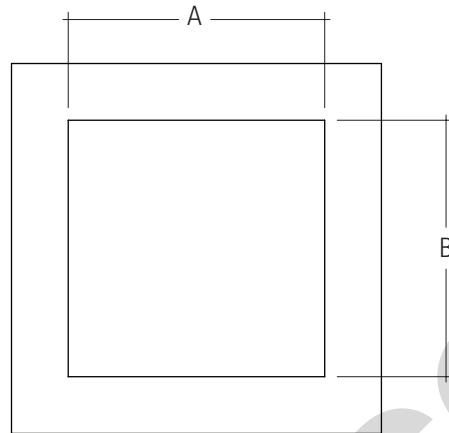
Return to
Main Menu

Note: Qivi 4x4 requires at least 2 people to install.

Step 3:

Cutting tile

1. Using the chart below cut ceiling tiles to match the size listed for your fixture.
2. Install cut ceiling tile.



	2x2	2x4	4x4
Dim A	16-3/8"	16-3/8"	40-3/8"
Dim B	16-3/8"	40-3/8"	40-3/8"

DISCONTINUED



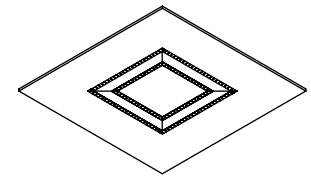
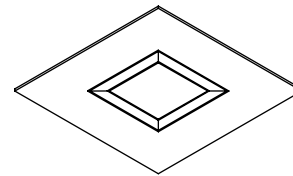
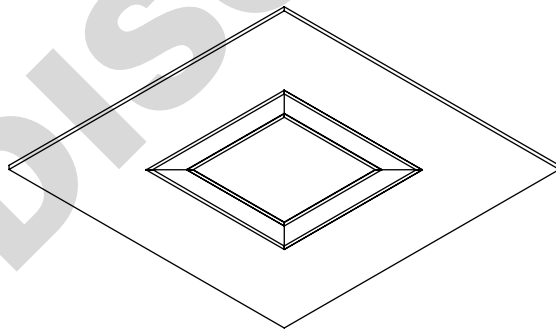
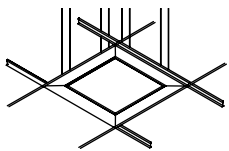
1. This product must be installed in accordance with applicable installation and electrical codes by a professional familiar with the construction and operation of the product.
2. Minimum 90°C supply conductors.
3. All electrical connections must be performed by a certified electrician to applicable local and national electrical codes.

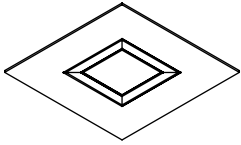
4. Contact Pinnacle prior to making any fixture alterations.
5. Contact Pinnacle with any installation questions or field issues.
6. All of Pinnacle's packaging is recyclable with the exception of the straps on the pallets. Please reach out to the factory if you need assistance in recycling any packaging components.



QIVI

**RECESSED
FLANGED MOUNT INSTALLATION**





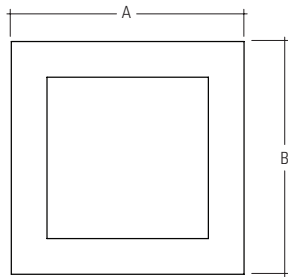
QIVI Flanged Mount

Return to
Main Menu

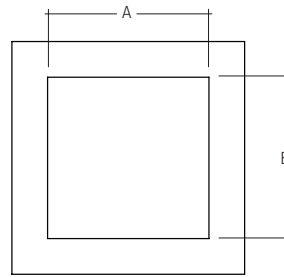
Note: Qivi 4x4 requires at least 2 people to install.

Step 1: Mounting Prep

1. Using charts below make appropriate cutout in the drywall. Frame the inside and outside of cutout to create fixture cavity.
2. Install proper support to structure in the ceiling to hold fixture weight.
3. Install junction boxes and whip out below ceiling level.



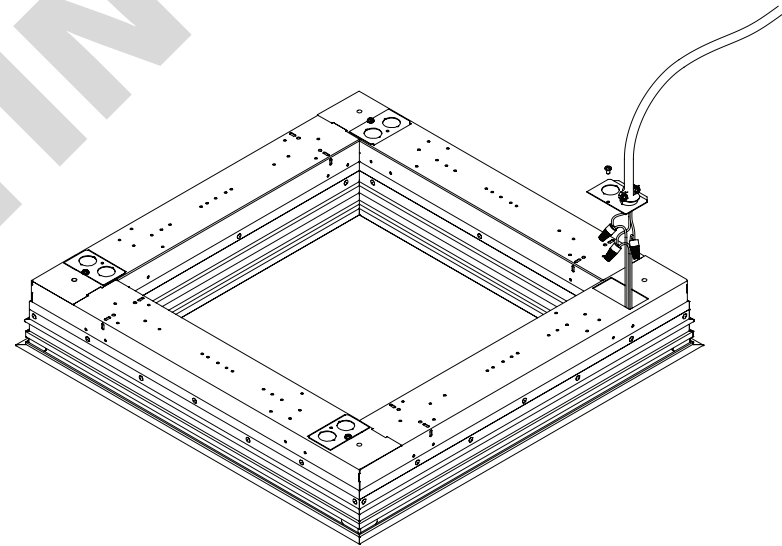
Outside Rough In



Inside Rough In

Step 2: Making the Connections

1. Remove electrical cover, remove knockout and attach building supplied conduit.
2. Make electrical connections, recess wires into fixture and re-attach electrical cover.



Outside Rough In

	Dim A	Dim B
2x2	23-5/8"	23-5/8"
2x4	23-5/8"	47-5/8"
4x4	47-5/8"	47-5/8"

Inside Rough In

	Dim A	Dim B
2x2	16-3/8"	16-3/8"
2x4	16-3/8"	40-3/8"
4x4	40-3/8"	40-3/8"

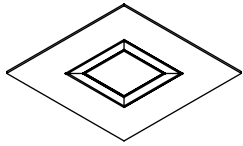
Max Weight

2x2	17lbs.
2x4	27.4lbs.
4x4	37.6lbs.



1. This product must be installed in accordance with applicable installation and electrical codes by a professional familiar with the construction and operation of the product.
2. Minimum 90°C supply conductors.
3. All electrical connections must be performed by a certified electrician to applicable local and national electrical codes.

4. Contact Pinnacle prior to making any fixture alterations.
5. Contact Pinnacle with any installation questions or field issues.
6. All of Pinnacle's packaging is recyclable with the exception of the straps on the pallets. Please reach out to the factory if you need assistance in recycling any packaging components.



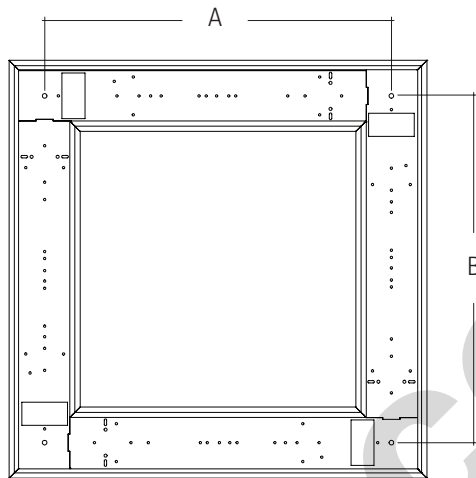
QIVI Flanged Mount

Return to
Main Menu

Note: Qivi 4x4 requires at least 2 people to install.

Step 3: Installing

1. Using a putty knife carefully remove lens.
2. Remove reflectors by unfastening matte black screws, then disconnect reflector wiring.
3. Using chart below install fixture into cutout with 1/4" hardware (by others).
4. Install so that the flange is flush with the ceiling surface.

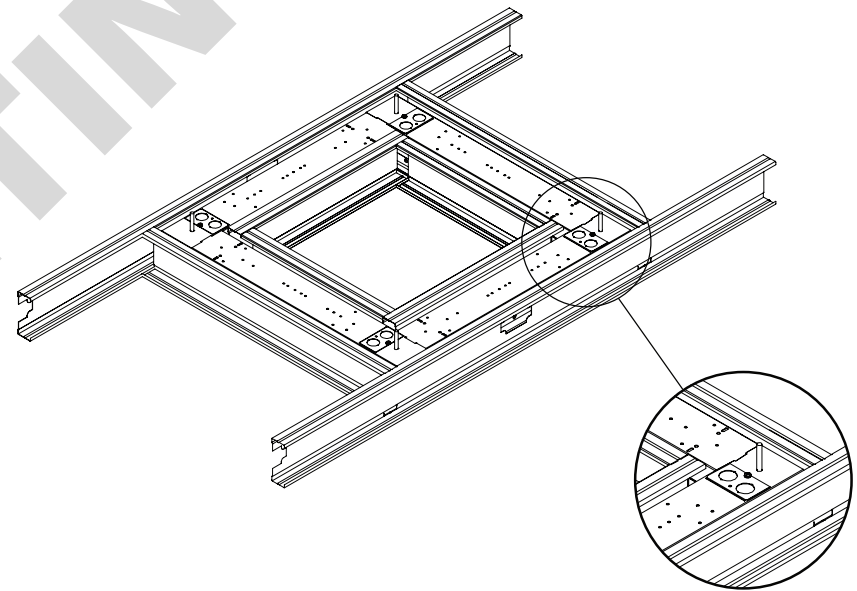


Mounting Locations

	Dim A	Dim B
2x2	20"	20"
2x4	20"	44"
4x4	44"	44"

Step 4 Finishing

1. Reinstall reflectors, by reconnecting wiring and fastening reflector into fixture using matte black screws.
2. Reinstall lenses.



1. This product must be installed in accordance with applicable installation and electrical codes by a professional familiar with the construction and operation of the product.
 2. Minimum 90°C supply conductors.
 3. All electrical connections must be performed by a certified electrician to applicable local and national electrical codes.

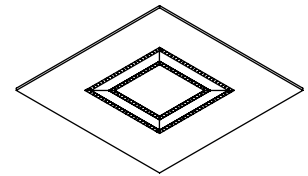
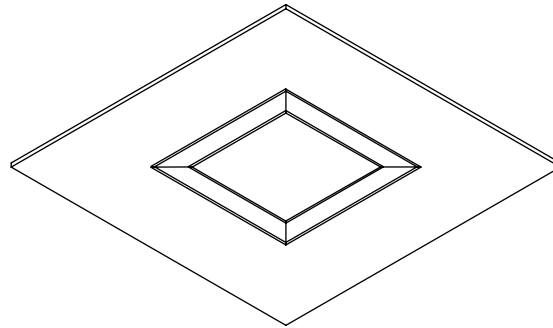
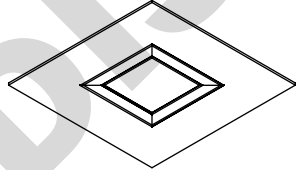
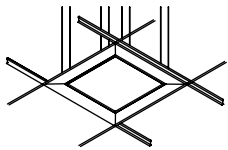
4. Contact Pinnacle prior to making any fixture alterations.
 5. Contact Pinnacle with any installation questions or field issues.
 6. All of Pinnacle's packaging is recyclable with the exception of the straps on the pallets. Please reach out to the factory if you need assistance in recycling any packaging components.

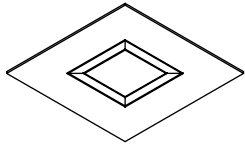




QIVI

**RECESSED
NON-FLANGED MOUNT INSTALLATION**





QIVI

Non-Flanged Mount

Return to
Main Menu

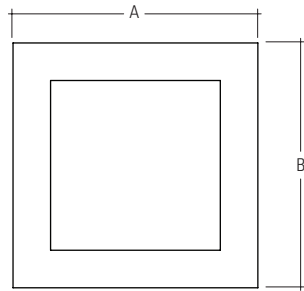
Note: Qivi 4x4 requires at least 2 people to install.

Step 1: Mounting Prep

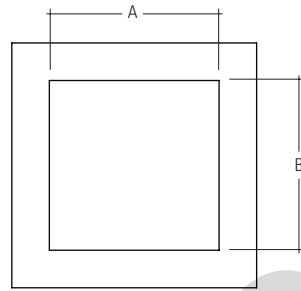
1. Using charts below make appropriate cutout in the drywall. Frame the inside and outside of cutout to create fixture cavity.
2. Install proper support to structure in the ceiling to hold fixture weight.
3. Install junction boxes and whip out below ceiling level.

Step 2: Making the Connections

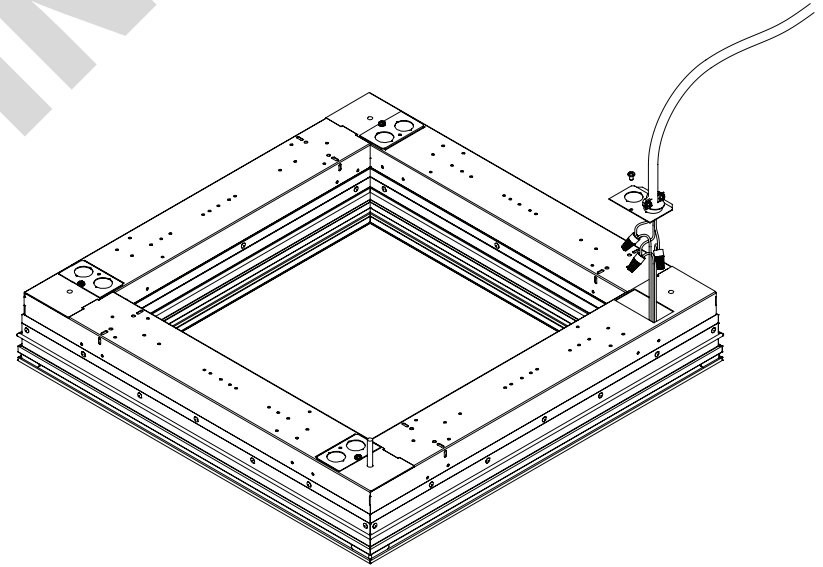
1. Remove electrical cover, remove knockout and attach building supplied conduit.
2. Make electrical connections, recess wires into fixture and re-attach electrical cover.



Outside Rough In



Inside Rough In



Outside Rough In

	Dim A	Dim B
2x2	23-5/8"	23-5/8"
2x4	23-5/8"	47-5/8"
4x4	47-5/8"	47-5/8"

Inside Rough In

	Dim A	Dim B
2x2	16-3/8"	16-3/8"
2x4	16-3/8"	40-3/8"
4x4	40-3/8"	40-3/8"

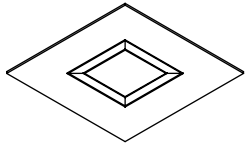
Max Weight

2x2	17lbs.
2x4	27.4lbs.
4x4	37.6lbs.



1. This product must be installed in accordance with applicable installation and electrical codes by a professional familiar with the construction and operation of the product.
2. Minimum 90°C supply conductors.
3. All electrical connections must be performed by a certified electrician to applicable local and national electrical codes.

4. Contact Pinnacle prior to making any fixture alterations.
5. Contact Pinnacle with any installation questions or field issues.
6. All of Pinnacle's packaging is recyclable with the exception of the straps on the pallets. Please reach out to the factory if you need assistance in recycling any packaging components.



QIVI

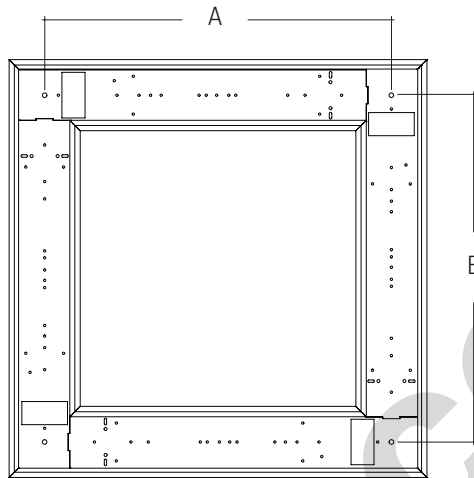
Non-Flanged Mount

Return to
Main Menu

Note: Qivi 4x4 requires at least 2 people to install.

Step 3: Installing

1. Using a putty knife carefully remove lens.
2. Remove reflectors by unfastening matte black screws, then disconnect reflector wiring.
3. Using chart below install fixture into cutout with 1/4" hardware (by others).
4. Install so that the fixture is flush with the ceiling surface.

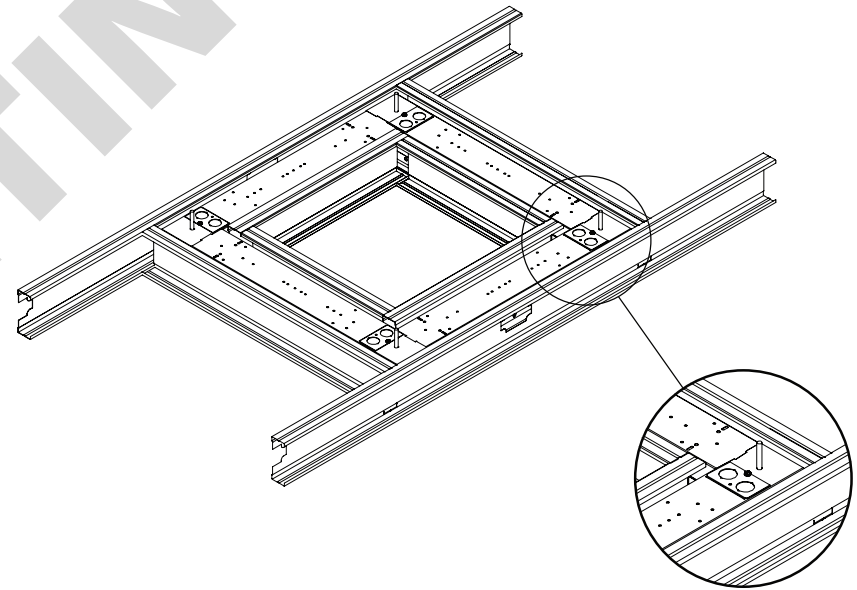


Mounting Locations

	Dim A	Dim B
2x2	20"	20"
2x4	20"	44"
4x4	44"	44"

Step 4 Finishing

1. Reinstall reflectors, by reconnecting wiring and fastening reflector into fixture using matte black screws.
2. Reinstall lenses.



1. This product must be installed in accordance with applicable installation and electrical codes by a professional familiar with the construction and operation of the product.
 2. Minimum 90°C supply conductors.
 3. All electrical connections must be performed by a certified electrician to applicable local and national electrical codes.

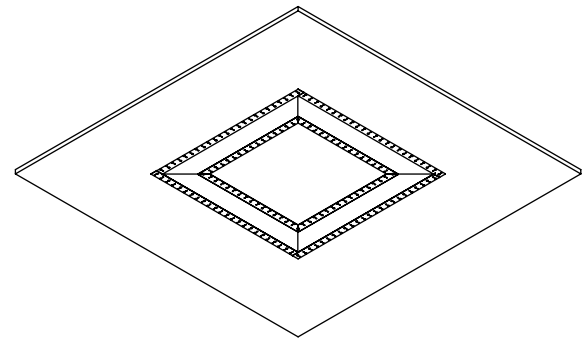
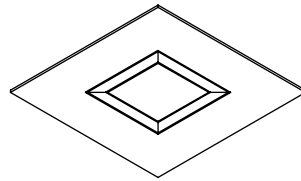
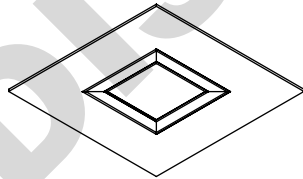
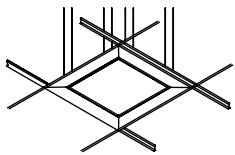
4. Contact Pinnacle prior to making any fixture alterations.
 5. Contact Pinnacle with any installation questions or field issues.
 6. All of Pinnacle's packaging is recyclable with the exception of the straps on the pallets. Please reach out to the factory if you need assistance in recycling any packaging components.

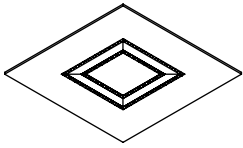




QIVI

**RECESSED
SPACKLE FLANGE MOUNT INSTALLATION**





QIVI

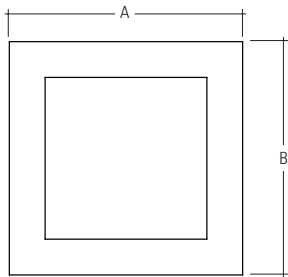
Spackle Flange Mount

Return to
Main Menu

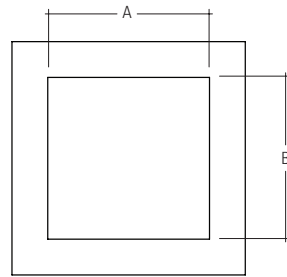
Note: Qivi 4x4 requires at least 2 people to install.

Step 1: Mounting Prep

1. Using charts below make appropriate cutout in the drywall. Frame the inside and outside of cutout to create fixture cavity.
2. Install proper support to structure in the ceiling to hold fixture weight.
3. Install junction boxes and whip out below ceiling level.



Outside Rough In



Inside Rough In

Outside Rough In

	Dim A	Dim B
2x2	23-5/8"	23-5/8"
2x4	23-5/8"	47-5/8"
4x4	47-5/8"	47-5/8"

Inside Rough In

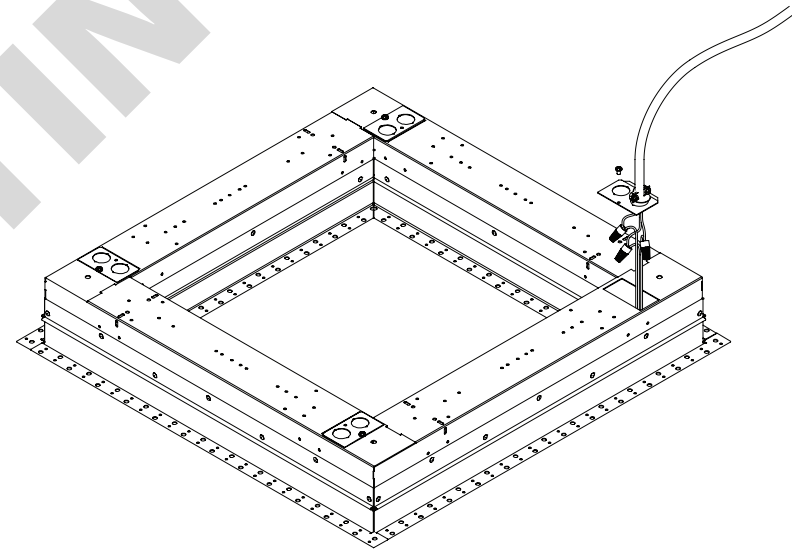
	Dim A	Dim B
2x2	16-3/8"	16-3/8"
2x4	16-3/8"	40-3/8"
4x4	40-3/8"	40-3/8"

Max Weight

2x2	17lbs.
2x4	27.4lbs.
4x4	37.6lbs.

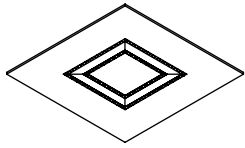
Step 2: Making the Connections

1. Remove electrical cover, remove knockout and attach building supplied conduit.
2. Make electrical connections, recess wires into fixture and re-attach electrical cover.



1. This product must be installed in accordance with applicable installation and electrical codes by a professional familiar with the construction and operation of the product.
2. Minimum 90°C supply conductors.
3. All electrical connections must be performed by a certified electrician to applicable local and national electrical codes.

4. Contact Pinnacle prior to making any fixture alterations.
5. Contact Pinnacle with any installation questions or field issues.
6. All of Pinnacle's packaging is recyclable with the exception of the straps on the pallets. Please reach out to the factory if you need assistance in recycling any packaging components.



QIVI

Spackle Flange Mount

Return to
Main Menu

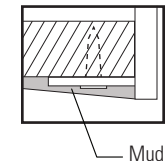
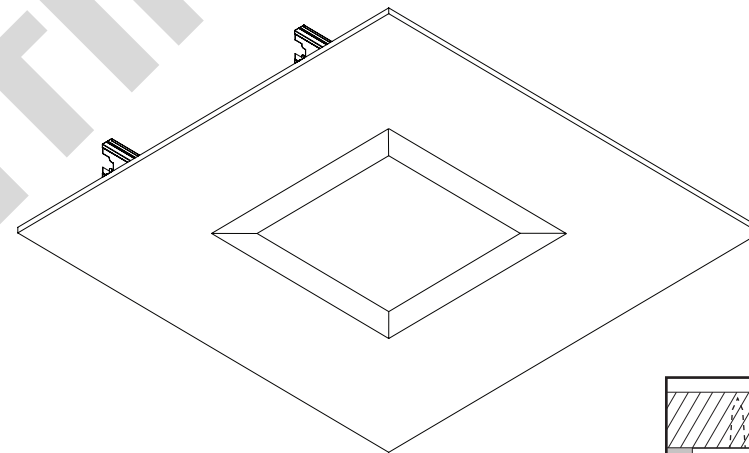
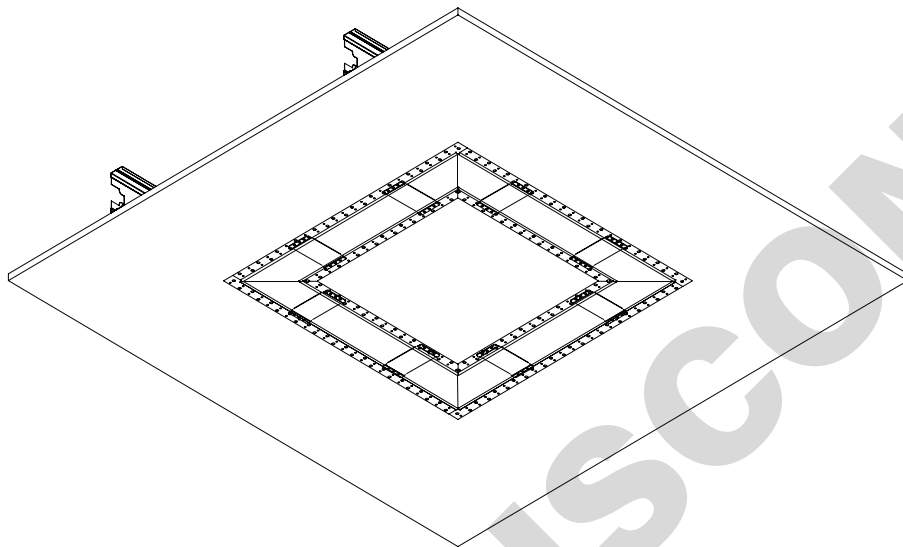
Note: Qivi 4x4 requires at least 2 people to install.

Step 3: Installing

1. Install fixture by screwing through the flange, use at least 1 screw every 6" (4 screws minimum for a 2 ft. length 8 screws minimum for a 4ft. length).
2. Once mounted remove cross brackets and discard.

Step 4 Finishing

1. Mud over fixture flange for a finished ceiling.
3. Install lenses.



1. This product must be installed in accordance with applicable installation and electrical codes by a professional familiar with the construction and operation of the product.
2. Minimum 90°C supply conductors.
3. All electrical connections must be performed by a certified electrician to applicable local and national electrical codes.

4. Contact Pinnacle prior to making any fixture alterations.
5. Contact Pinnacle with any installation questions or field issues.
6. All of Pinnacle's packaging is recyclable with the exception of the straps on the pallets. Please reach out to the factory if you need assistance in recycling any packaging components.