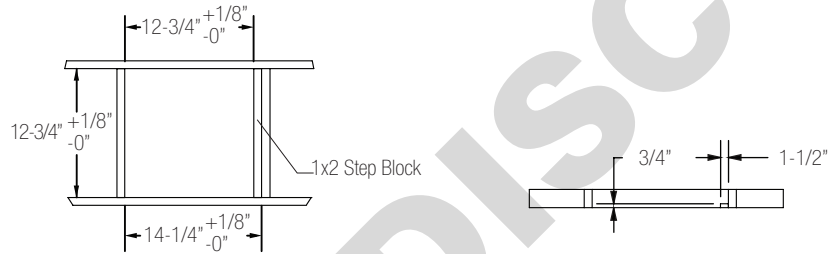
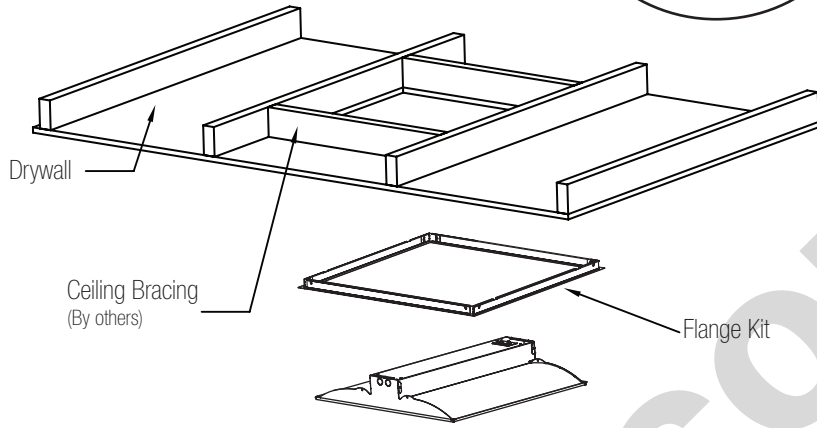
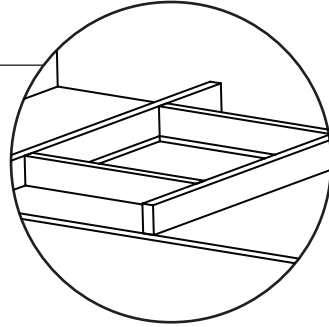


# ADEO 1x1 LED Inaccessible Installation

\*Fixture has housing extension. Read instructions to accommodate for extension.

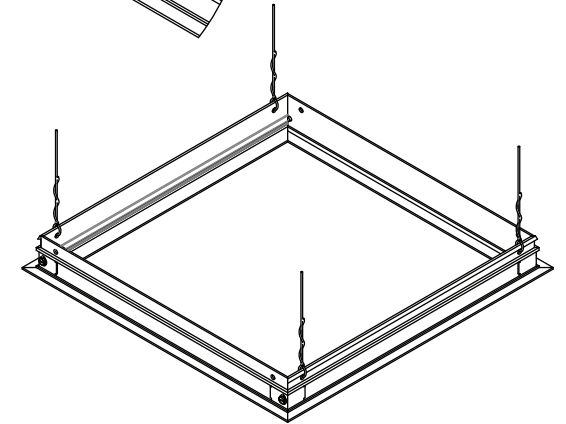
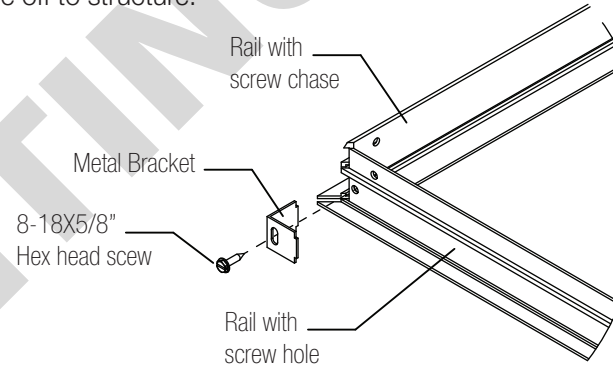
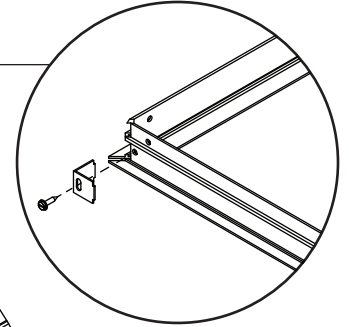
## Step 1: Rough in

1. Build ceiling framing using dimensions below
2. Make appropriate cut out in drywall
3. Install flange kit.

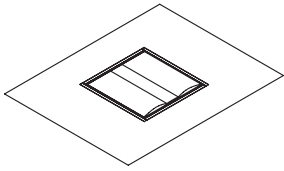


## Step 2: Setting up the Flange Kit

1. Slide bracket into the rail with the screw chase and rail with the screw hole making sure the screw slot lines up with the whole.
2. Use the four 8-18x5/8" Hex head screws provided to screw the brackets into the corners.
3. Place assembled flange kit into ceiling cut out and tie off to structure.



1. This product must be installed in accordance with applicable installation and electrical codes by a professional familiar with the construction and operation of the product.
2. Minimum 90°C supply conductors.
3. All electrical connections must be performed by a certified electrician to applicable local and national electrical codes.
4. Contact Pinnacle prior to making any fixtures alterations.
5. Contact Pinnacle with any installation questions or field issues.

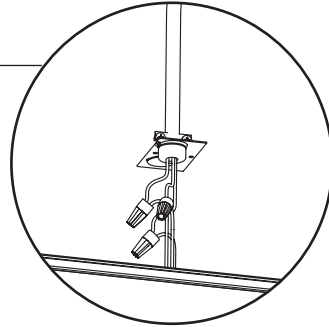


# ADEO 1x1 LED Inaccessible Installation

\*Fixture has housing extension. Read instructions to accommodate for extension.

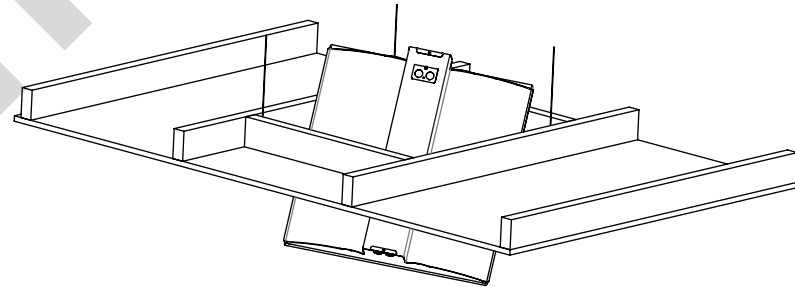
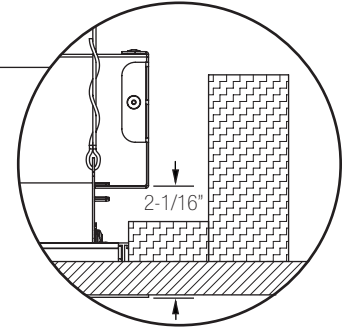
## Step 3: Making the Connections

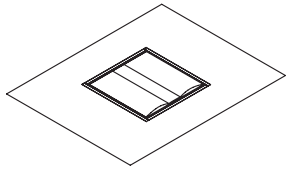
1. Remove electrical cover, remove knockout, attach building supplied conduit.
2. Make electrical connections, recess wires into fixture cavity and attach cover.



## Step 4: Install Fixture into Ceiling

1. After wiring the fixture and checking all connections, carefully install fixture by angling it up through drywall frame kit and rest the housing on the frame.





# ADEO Maintenance Sheet

Figure 1

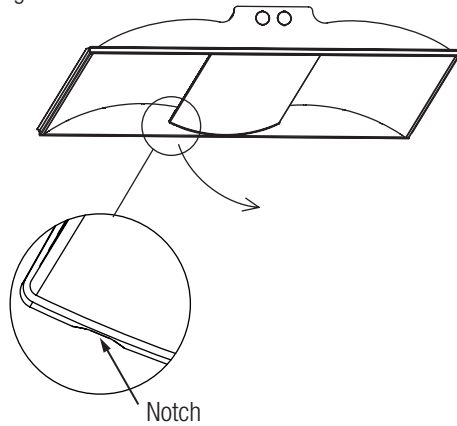


Figure 2

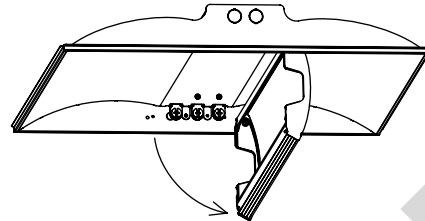


Figure 1

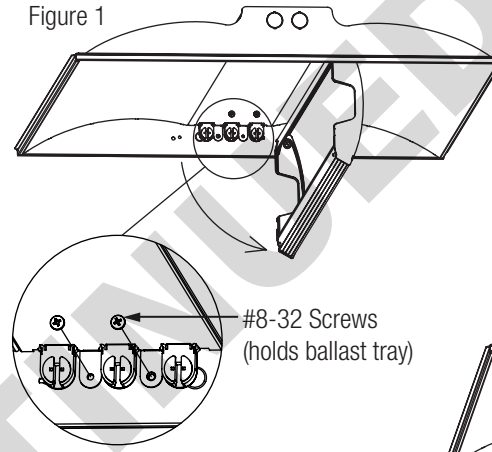
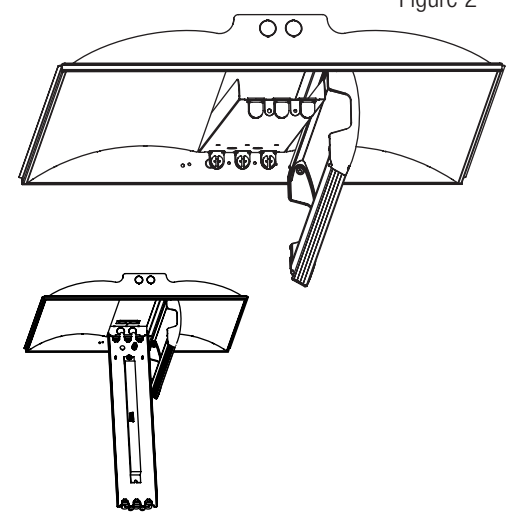


Figure 2



## Access to lamps

1. Disconnect power.
2. Locate lens notch (located on one side only) and pull lens down from that side (Fig 1).
3. Lens swings open allowing access to lamps (Fig 2).
4. Lens remains captive to fixture during lamps/ballast maintenance (Fig 2).

## Lens Cleaning

1. Open lens (as instructed)
2. Lens remains captive to fixture during maintenance/cleaning.
3. Wipe top and bottom of lenses with Isopropyl alcohol and a clean rag (DO NOT USE AMMONIA).
4. Close by rotating and pushing lens up until it snaps in place.

## Access to ballast

1. Disconnect power.
2. To access the ballast, remove #8-32 screws (fig. 1).
3. Pull ballast tray off as shown (fig. 2) and ballast will be fully accessible.
4. Reverse step 2 prior to closing lens.
5. Close by rotating and pushing lens up until it snaps in place.

