



CONVERJ Fixtures



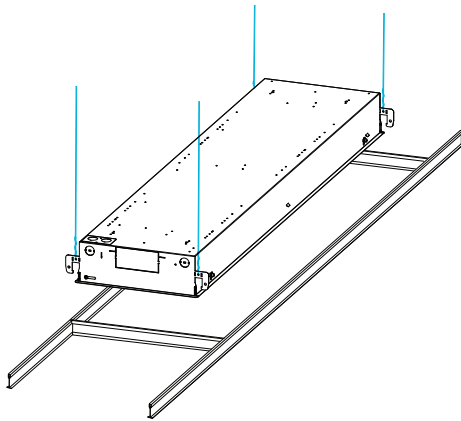
CJ14

- 1x4 Grid Installation 2
- 1x4 Flanged (FL) Inaccessible Installation 3-4
- Surface Mount Installation 5-6
- Driver Access 7-8



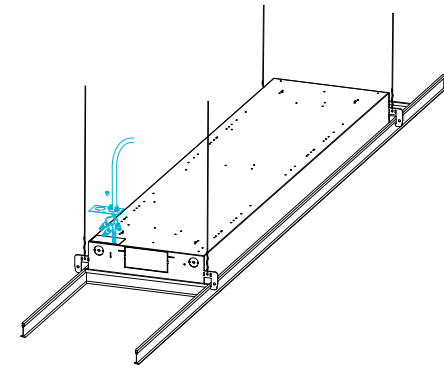
1 GRID INSTALLATION

Separate grid tabs from housing. Position fixture up through the grid opening. Lower fixture so that it rests on the T-grid. Tie off fixture to structure with retention wires (by others) and/or attach fixture to grid via grid tabs with screws (by others).



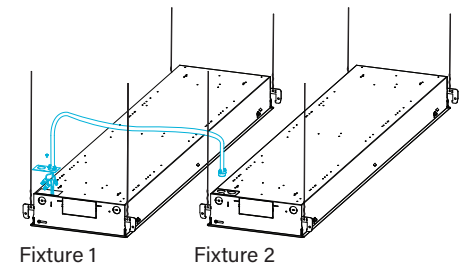
2 POWER

Remove electrical cover, remove knockout and attach electrical conduit. Make electrical connections between building power and fixture, recess wires into fixture cavity and reattach cover. Once fixture is installed check to make sure lenses are seated properly.



Through-wiring option **shown with optional flex whip*

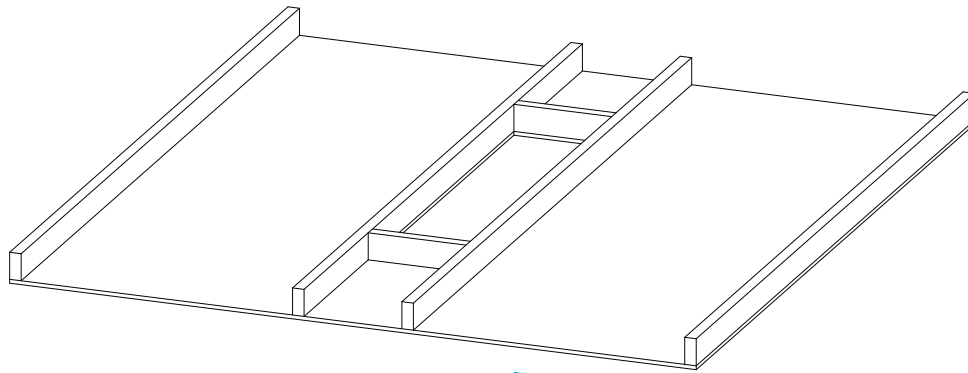
If ordered with TW option, fixtures are shipped with knock out removed and wires for joining fixtures extended from housing. Pull wiring from one fixture into the other fixture and make wiring connections in the second fixture.



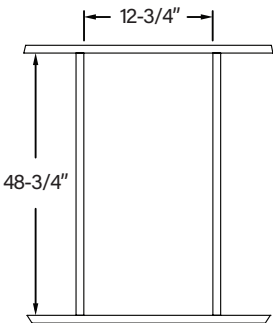


1 ROUGH IN

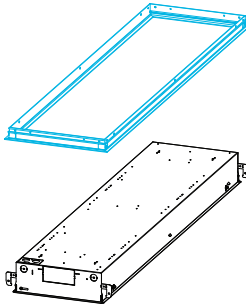
Build ceiling framing using Dim "A" and Dim "B". Make appropriate cut out in drywall using Dim "A" and Dim "B" (see dimensions below).



Ceiling Opening
Cutout Dimensions

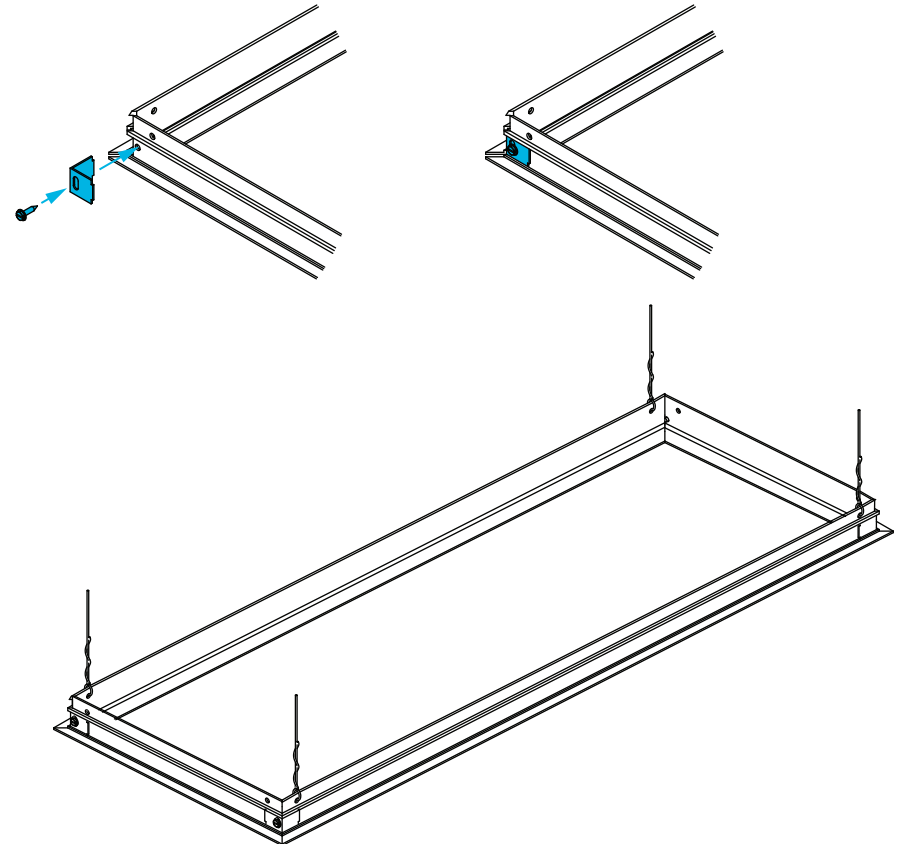


Dimensions $+1/8"$
 $-0"$



2 SETTING UP FLANGE KIT

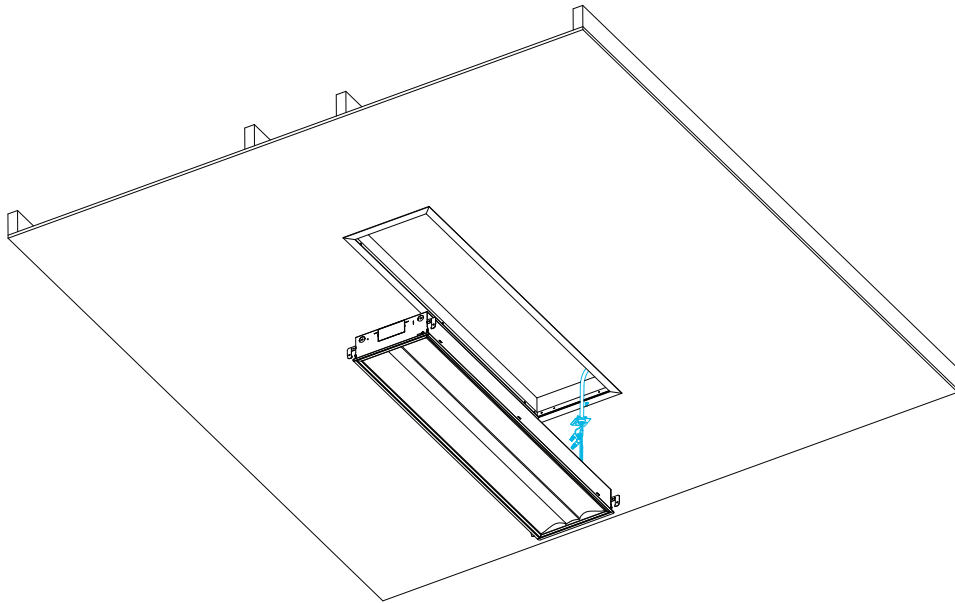
Slide the metal bracket into the inside channel of the notched end of a flange rail until it clicks. Slide the other end of the metal bracket into the inside channel of the next non-notched end of a flange rail. Repeat at each corner. Place assembled flange kit into ceiling cutout and tie off to structure through the open holes at each corner.





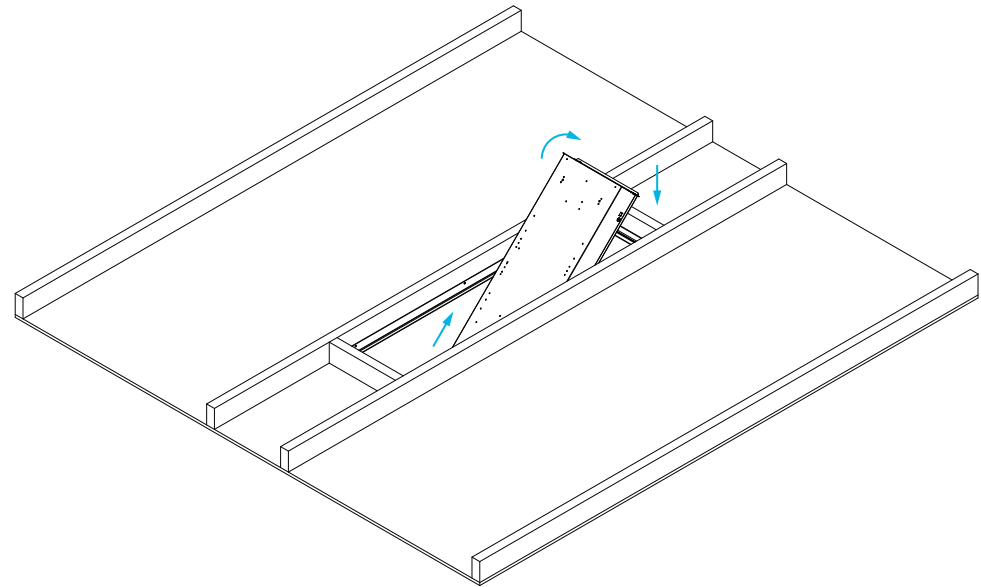
1 POWER

Remove electrical cover, remove knockout and attach building power. Make electrical connections, recess wires into fixture cavity and attach cover.



2 INSTALLING INTO THE CEILING

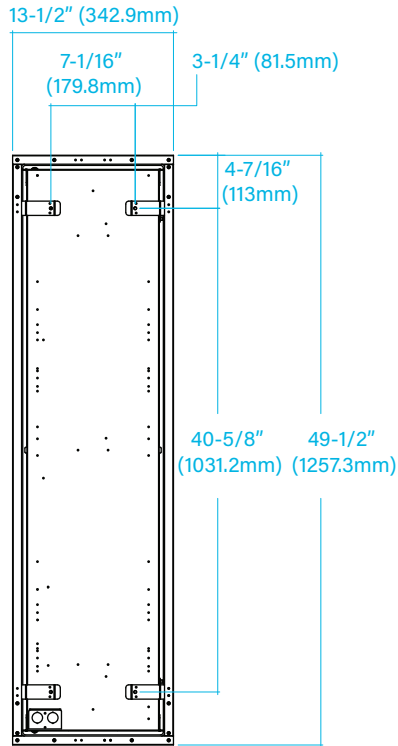
After wiring the fixture and checking all connections, carefully install the fixture into the ceiling, lifting it at an angle up through the drywall and resting the fixture on the installed flange kit. Once fixture is installed check to make sure lenses are seated properly.





1 MOUNTING PREP

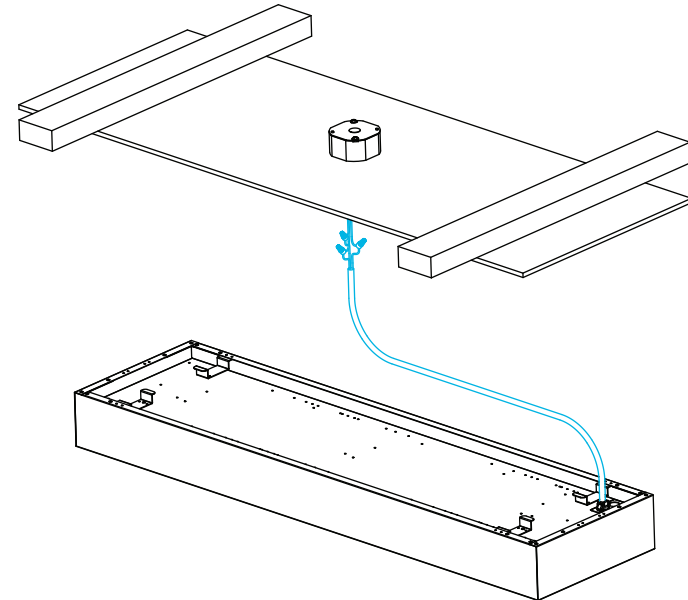
Install supports for mounting fixtures to based on the mounting hole positions called out in the dimensioned drawings below. Remove fixture reflectors to prepare for mounting fixtures.
(see driver access section for reflector removal)



Converj 1x4

2 MAKING THE CONNECTIONS

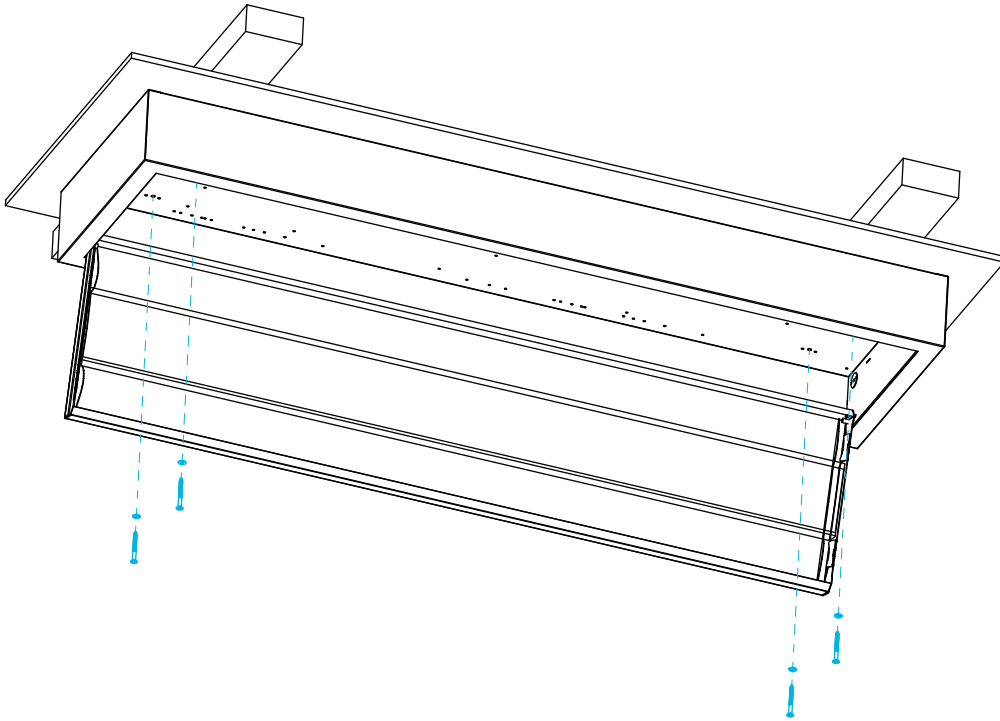
Using the power cord from the fixture make necessary wiring connections to building power. After making connections recess the wires into the J-Box.





3 MOUNTING

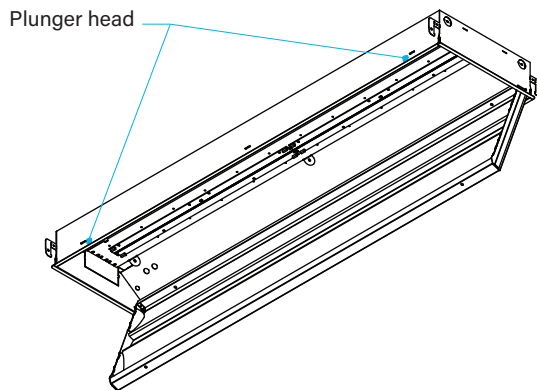
Inside fixture locate mounting holes in the corners as dimensioned on the previous page. Using these holes (4) mount fixture to ceiling with appropriate mounting hardware (by others).





1 ACCESSING THE BOARDS

Gently push the lens up to locate plunger heads (located on one side only), carefully pull the door frame down on the side with the plunger heads. The one-piece door frame swings open allowing access to the LEDs.



2 ACCESSING THE DRIVER

Remove three #8-32 screw (*one side only*) that holds LED panel. Remove LED panel by rotating it out of the fixture. If you also need to remove the side reflector for surface mounting once you remove the LED reflector the screws for the side reflector will be visible. Reverse steps prior to closing.

