

# EDGE EV6WET

## 6" Recessed Linear WET

### Key Features

- Approved for wet location unless otherwise noted. IP65 and IK10 rated
- 6063-T5 Extruded aluminum housing
- Highly reflective die-formed white painted reflector
- All-inclusive module houses all LED system components in one compact unit
- Unit easily releases from the housing for room-side maintenance
- Wiring access available through bottom of housing
- 5-year limited warranty covers LED, driver and fixture
- ETL listed conforming to UL 1598 in US and CSA 250 in Canada
- Buy American Act compliant



Example Part #: EV6-WET-830HO-8'-IND-FLF-U-OL2-1-0-W

**EV6 - WET** - SHIELDING - CRI, CCT & OUTPUT - LENGTH - POSITION - MOUNTING - VOLTAGE - DRIVER - CIRCUITING - BATTERY & EMERGENCY - FINISH - FIXTURE OPTIONS

WET	---	---	---
SHIELDING	CRI, CCT & OUTPUT <sup>1</sup>	LENGTH <sup>2</sup>	POSITION <sup>3</sup>
<b>WET</b> - Satine Wet Lens <i>Shielding pg. 2</i>	<b>27</b> - 2700K <b>30</b> - 3000K <b>35</b> - 3500K <b>40</b> - 4000K <b>50</b> - 5000K <b>CL</b> - Custom Lumens <b>CW</b> - Custom Watts <i>Lumen Output pg. 2</i>	<b>_ _</b> - Individual Fixture <i>Length pg. 2</i>	<b>IND</b> - Individual <b>BOR</b> - Beginning of Row <b>MOR</b> - Middle of Row <b>EOR</b> - End of Row <i>Mounting pg. 3</i>

FL _	-	---	-
MOUNTING	VOLTAGE	DRIVER	CIRCUITING
<b>FL(F)</b> - 1/2" Flange <i>Mounting pg. 3</i>	<b>U</b> - Universal (120 thru 277V) <b>1</b> - 120V <b>2</b> - 277V <b>3</b> - 347V <i>Voltage pg. 3</i>	<b>FSD</b> - Factory Select Driver (1%, 0-10v) <b>PL2</b> - Advance Xitanium (1%, 0-10v) <b>OL2</b> - Osram (1%, 0-10v) <b>OL4</b> - Osram 347v (1%, 0-10v) <b>EE1</b> - eldoLED ECOdrive (1%, 0-10v) <b>ES1</b> - eldoLED SOLOdrive (0.1%, 0-10v) <b>LH1</b> - Lutron Hi-lume (1%, EcoSystem) <b>PS1</b> - Advance Xitanium (50%/100%) <i>Driver pg. 3</i>	<b>1</b> - Single Circuit <b>M</b> - Multi Circuit <b>E</b> - Emergency (entire fixture) <b>N</b> - Night Light (entire fixture) <i>Circuiting pg. 4</i>

---	---	---	---
BATTERY & EMERGENCY <sup>4</sup>	FINISH	FIXTURE OPTIONS	CONTROLS
<b>0</b> - None <b>_FSB</b> - Factory Select Battery <b>_FSG</b> - Factory Select ALCR <b>_GI</b> - Iota ETS DR <b>_GB</b> - Bodine GTD <b>_IC</b> - Iota 10W (CEC Listed) <b>_P</b> - Bodine 10W <b>_E</b> - Emergency Circuit Section <b>_N</b> - Night Light Circuit Section <b>_L</b> - Life Safety Circuit Section <i>Battery and Emergency pg. 4</i>	<b>W</b> - White <b>S</b> - Metallic Silver <b>BL</b> - Textured Black <b>BR</b> - Bronze <b>GR</b> - Graphite <b>CC</b> - Custom Color <i>Finish pg. 4</i>	<b>GLR</b> - Internal Fast Blow Fuse <b>EPF</b> - End Power Feed <b>DSP</b> - Customer Supplied Battery/Driver/ Sensor <b>N</b> - Natatorium (corrosion resistant hardware) <i>Fixture Options pg. 5</i>	<i>Pinnacle is able to accommodate different control solutions from different manufacturers. Consult Factory for more information.</i>

<sup>1</sup>When specifying OUTPUT the first \_ is for specifying either 8 - 80CRI or 9 - 90CRI. The ending \_ \_ are for specifying output, example HO - High Output. See output charts for more information. <sup>2</sup>Individual fixtures come in nominal 2', 3', 4', 5', 6', 7', & 8' lengths, see pg. 2 for actual lengths. <sup>3</sup>Specify position of fixture. Use IND for an individual fixture, use BOR, MOR, or EOR for building connected rows. <sup>4</sup>Enter quantity for Battery and Emergency, Example 2P.

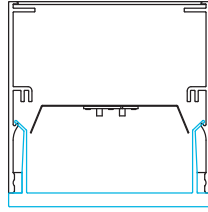
Specifications and dimensions subject to change without notice. Specification sheets that appear on pinnacle-ltg.com are the most recent version and supersede all other previously printed or electronic versions.



## Shielding

### WET

Satine Wet Lens



## CRI, CCT & Output

- Specify either 80 or 90 CRI
- Longer lead-time may apply for 90 CRI. Consult factory
- 90 CRI = R9≥50

## Custom Output- Lumens OR Wattage

<b>CL</b> _____	Specify CRI, CCT and desired lumens (i.e. CL835500)	<i>Specify lumens between standard offering listed below. Lumens are specified per color temp</i>
<b>CW</b> _____	Specify CRI, CCT and desired wattage (i.e. CW9407)	<i>Specify watts between standard offering listed below</i>

### 80 CRI

	Color	Output	Watts <i>per foot</i>	Shielding <b>WET</b> Satine Wet <i>Lumens/ft</i>	<i>LPW</i>
<b>830</b>	3000K	Standard	4.6	438	95.2
<b>830HO</b>	3000K	High	8.6	792	91.8
<b>835</b>	3500K	Standard	4.6	447	97.2
<b>835HO</b>	3500K	High	8.6	808	93.7
<b>840</b>	4000K	Standard	4.6	460	100.0
<b>840HO</b>	4000K	High	8.6	832	96.5
<b>890</b>	5000K	Standard	4.6	459	99.8
<b>809HO</b>	5000K	High	8.6	830	96.2

### 90 CRI

<b>927</b>	2700K	Standard	4.6	346	75.2
<b>927HO</b>	2700K	High	8.6	626	72.6
<b>930</b>	3000K	Standard	4.6	372	80.9
<b>930HO</b>	3000K	High	8.6	672	77.9
<b>935</b>	3500K	Standard	4.6	393	85.4
<b>935HO</b>	3500K	High	8.6	710	82.3
<b>940</b>	4000K	Standard	4.6	393	85.4
<b>940HO</b>	4000K	High	8.6	711	82.4

## Length

2	3	4	5	6	7	8
Individual Fixture	Individual Fixture	Individual Fixture	Individual Fixture	Individual Fixture	Individual Fixture	Individual Fixture
27-1/8" (689mm)						
	39" (991mm)					
		50-3/4" (1289mm)				
			62-5/8" (1591mm)			
				74-5/8" (1895mm)		
					86-1/2" (2197mm)	
						98-3/8" (2499mm)

Specifications and dimensions subject to change without notice. Specification sheets that appear on pinnacle-ltg.com are the most recent version and supersede all other previously printed or electronic versions.

Designed in Denver, CO • USA | pinnacle-ltg.com | O: 303-322-5570 F: 303-322-5568

EV6\_WET\_LED\_SPEC\_APRIL2023



## Position

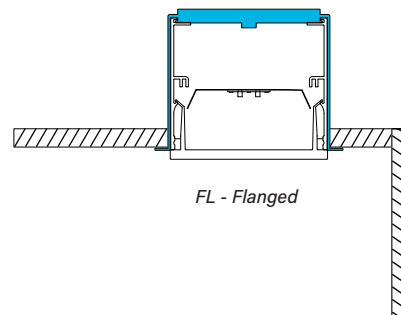
- When making rows with EDGE Wet, the rows must be ordered as individual units with a position specified
- Positions can either be "BOR" - Beginning of Row, "MOR" - Middle of Row, or "EOR" - End of Row
- The connection between fixtures is less than 1/8"
- For single, non-connected units, specify as "IND" for individual

IND	BOR	MOR	EOR
Individual Fixture	Beginning of Row	Middle of Row	End of Row

## Mounting

- Available with standard 1/2" flange (FL)
- Utilize Surface Mount for in-wall application. Building surface waterproofing by others
- End trims and power cord attached at factory
- Approved for wet location unless otherwise noted
- Refer to installation instructions during installation at the jobsite

**FL(F)** Flanged



FL - Flanged

## Voltage

- Some EDGE Wet configurations will not accommodate all voltage options; consult with factory

<b>U</b>	Universal
<b>1</b>	120 volt
<b>2</b>	277 volt
<b>3</b>	347 volt

## Driver

- Standard Driver Option = FSD
- Driver Lifetime: 50,000 hours at 25°C ambient operating conditions
- For more driver options see Pinnacle Resource Guide
- Some EDGE Wet configurations will not accommodate all driver options; consult with factory

### 0-10V Drivers

<b>FSD</b>	Factory Select Driver 1%, 0-10v
<b>PL2</b>	Signify Advance Xitanium 1%, 0-10v
<b>PL4</b>	Advance Xitanium 347v 1%, 0-10v, requires 347v
<b>OL2</b>	Osram Optotronic, 1%, 0-10v
<b>OL4</b>	Osram Optotronic 347v, 1% 0-10v, requires 347v option
<b>EE1</b>	eldoLED ECOdrive 1%, 0-10v Logarithmic
<b>EE2</b>	eldoLED ECOdrive 1%, 0-10v Linear
<b>ES1</b>	eldoLED SOLOdrive 0-10v, 0.1% Logarithmic
<b>ES2</b>	eldoLED SOLOdrive 0-10v, 0% Linear

### DALI Drivers

<b>EE3</b>	eldoLED ECOdrive .1%, DALI (logarithmic)
<b>ES3</b>	eldoLED SOLOdrive .1%, DALI (logarithmic)
<b>OD1</b>	Osram Optotronic 1%, DEXAL
<b>OD2</b>	Osram Optotronic 1%, DALI 2 Channel

### Lutron Drivers

<b>LH1</b>	Lutron Hi-lume Soft-on, Fade-to-black 1%, EcoSystem, LDE1
<b>LH4</b>	Lutron Hi-Lume 1%, 2-wire, Lutron-LTEA2W, 120v only

### Alternate Drivers

<b>PS1</b>	Signify Advance Xitanium Step Dimming 50%/100%
<b>OD1</b>	Osram Optotronic 1%, DEXAL
<b>EH1</b>	ELV 120v only, 0-10v universal



## How to specify Circuiting, Battery and Emergency

- 1**
- Select fixture circuiting from options below
  - Some EDGE Wet configurations will not accommodate all circuiting options, consult with factory

### Circuiting

<b>1</b>	Single Circuit
<b>M</b>	Multi Circuit
<b>E</b>	Emergency Circuit only
<b>N</b>	Night Light Circuit only

- 2** + **3**
- Battery and emergency section options are available in addition to fixture circuit
  - Select battery and emergency section options below; factory shop drawing required
  - Some EDGE Wet configurations will not accommodate all circuiting options, consult with factory

### Battery and/or Emergency *If Required*

- 0** No battery or specific emergency section required

### Battery

- Select battery section type if required, indicate total QTY. *Example 2P*
- 90 minute battery runtime; test button is integral to fixture
- No battery option available for 2' lengths
- Entire direct fixture housing is on battery for lengths up to 5'
- Half of direct fixture is on battery for 6', 7' or 8' housing lengths
- For more battery options available, see Pinnacle Resource Guide

<b>0</b>	No Battery
<b>_FSB</b>	Factory Select Battery (10w option)
<b>_FSBST</b>	Factory Select Battery (10w, Self Testing)
<b>_IC</b>	10w Integral
<b>_ILL</b>	10w Integral Lithium, Self Testing
<b>_IRH</b>	20w Remote
<b>_P</b>	Bodine 10w Integral
<b>_PRH</b>	Bodine 20w Remote
<b>_PLL</b>	Bodine 10w Integral Lithium, Self Testing

#### For Approximate Battery Lumen Output

- Multiply battery wattage X fixture LPW shown on Lumen Table
- $92.3 \text{ (LPW)} \times 10 \text{ (watts)} = 923 \text{ battery lumen output}$

### Emergency

- Select emergency section type if required, indicate total QTY. *Example 1E*
- Combine battery and emergency section ordering codes if both options are selected

<b>_FSG</b>	Factory Select Automatic Load Control Relay (ALCR), UNV
<b>_GI</b>	Emergency Transfer Switch (ETS) DR Emergency Control Device, UNV
<b>_GB</b>	Bodine GTD, Generator Transfer Device, 120v or 277v
<b>_E</b>	Emergency circuit section
<b>_N</b>	Night Light circuit section
<b>_L</b>	Life Safety circuit section NO THROUGH WIRE

#### Combination Section Ordering Examples

- Single circuit, (1) 10w battery, (1) emergency section    Ordering Code: 1-1P1E
- Multi circuit, (2) 10w battery, (2) emergency sections    Ordering Code: M-2P2E
- Single circuit, (1) night light section    Ordering Code: 1-1N

#### Battery OR Emergency Ordering Examples

- Single circuit, 10w Integral Battery    Ordering Code: 1-1P
- Emergency only, 10w Integral Battery    Ordering Code: E-1P
- Single circuit, GTD required    Ordering Code: 1-1G

### Finish

- Standard powder-coat textured white, metallic silver, textured black, graphite or bronze painted finish; consult factory for chip of standard paint finishes
- Selecting a fixture finish other than white may impact lumen output; consult factory for more information

<b>W</b>	White
<b>S</b>	Metallic Silver
<b>BL</b>	Textured Black
<b>GR</b>	Graphite
<b>BR</b>	Bronze
<b>CC</b>	Custom Color

Specifications and dimensions subject to change without notice. Specification sheets that appear on pinnacle-ltg.com are the most recent version and supersede all other previously printed or electronic versions.

Designed in Denver, CO • USA | pinnacle-ltg.com | O: 303-322-5570 F: 303-322-5568

EV6\_WET\_LED\_SPEC\_APRIL2023



## Fixture Options

- Additional options to enhance the fixture and finish of the product

<b>GLR</b>	Internal Fast Blow Fuse
<b>DSP</b>	Customer Supplied Battery/Driver/Sensor
<b>EPF</b>	End Power Feed
<b>N</b>	Natatorium (corrosion resistant hardware)

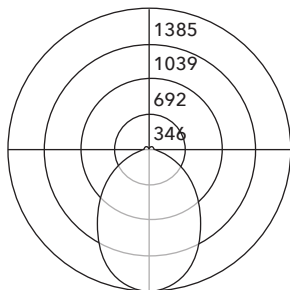
## Controls

- Pinnacle is able to accommodate different control solutions from different manufacturers. Consult Factory for more information.

## Photometrics

### Satine Wet Lens

Test #	Scaled from ITL86504
Catalog #	EV6-WET-840-4
Lumens	3328 lm
Watts	34.5 W
Efficacy	96 LPW



### Candela Distribution

Vert Angle	Horizontal Angle				
	0	22.5	45	67.5	90
0	1385	1385	1385	1385	1385
5	1378	1376	1376	1375	1375
10	1351	1345	1345	1343	1340
15	1310	1298	1297	1292	1285
20	1249	1230	1229	1219	1211
25	1170	1150	1145	1133	1122
30	1079	1062	1051	1033	1021
35	979	963	947	927	914
40	873	858	840	818	804
45	763	750	731	709	695
50	655	645	626	605	593
55	549	542	525	506	495
60	446	443	429	413	406
65	352	349	339	327	321
70	262	262	254	248	245
75	179	182	180	178	177
80	107	112	116	117	118
85	51	56	63	68	72
90	4	12	23	30	33

### Luminance Data (cd/sq.m)

Angle In Degrees	Average 0-Deg	Average 45-Deg	Average 90-Deg
45	5813	5368	5048
55	5138	4667	4332
65	4452	3971	3676
75	3661	3242	3061
85	2979	2622	2721

For all available IES files, please visit our website at [pinnacle-ltg.com](http://pinnacle-ltg.com). Photometry testing in accordance to IESNA-LM-79-08 at an NVLAP accredited testing laboratory. Testing conducted at 25°C ambient conditions

## Applications & Certificates

**Construction** 6063-T5 extruded aluminum housing with welded ends. Internal lens gaskets seal housing to prevent moisture and debris from entering the fixture. Pressure equalizing vent allows fixture to “breathe” preventing condensation.

**Shielding** Solid acrylic diffuse snap-in lens with matte finish with an EPDM gasketed for complete wet seal.

**Mounting** Fixtures can be installed individually or connected for a continuous run appearance. IND fixtures are individual fixtures and have no joining holes. IND fixtures cannot be joined. BOR fixtures are used for beginning of row and have joining holes on non-power end of fixture. MOR fixtures are used for middle of row and have joining holes on both ends of fixture. EOR fixtures are used for the end of a row and have no joining holes on power end of fixture. Consult factory for detailed installation instructions.

**LED** 25°C test environment. Lumen output/wattage has a margin of +/- 5%; 2' or 3' lengths may have a greater wattage deviation. Luminaire configurations tested in accordance with IES LM-79. Diodes tested in accordance with IES LM-80. Lifetime calculated using IES TM-21. Minimum lifetime greater than 60,000 hours. Lifetime Projection L70 = 134,700 hours and L90 = 40,100 hours. MacAdam 3-Step Ellipses. Not all products are Lighting Facts listed. For all available IES files, please visit our website at [pinnacle-ltg.com](http://pinnacle-ltg.com).

**CRI, CCT & Lumen Output** Two lumen packages available. Standard and High (HO). Custom outputs are available. Specify custom lumens or watts between standard offering listed on CRI, CCT & Output page. 80 CRI is available for 3000K, 3500K, and 4000K. 90 CRI is available for 2700K, 3000K, 3500K, and 4000K. 90 CRI = R9≥50. Published lumen or wattage data based on OL1 configuration.

**Voltage** Universal (U), 120 volt (1), 277 volt (2) and 347 volt (3) options available. Must specify OL4 in Driver section when 347 volt (3) is selected. Some EDGE Wet configurations will not accommodate all voltage options; consult with factory.

**Driver** Standard Driver Option is Advance Xitanium 0-10V, 1% = PL2. Electronic driver, Power factor is >0.9 with a THD <20%. Driver Lifetime: 50,000 hours at 25°C ambient operating conditions. Ambient operating range: -20°F/-30°C to 107°F/42°C. For more driver options, see Pinnacle Resource Guide. Some EDGE Wet configurations will not accommodate all driver options.

**Circuiting** Select from single circuit (1), Multi circuit - For multiple circuiting and zone control, requires factory shop drawing (M), Emergency circuit (E) or Night Light circuit (N). For emergency circuiting situations that require no through wire or circuit separation, Life Safety Circuit should be selected. This will provide a separate power feed and only the Life Safety Circuit in that section. Some EDGE Wet configurations will not accommodate all circuiting options; consult with factory.

**Battery & Emergency** Select battery or emergency options if required. If battery or emergency option is not required, enter 0. Battery duration is 90 minutes as standard. Test button is integral to fixture. For more Battery options, see Pinnacle Resource Guide.

**Finish** Standard powder-coat textured white, metallic silver, textured black, graphite or bronze painted finish; consult factory for chip of standard paint finishes or for additional custom color and finish options.

**Controls** Consult Factory

**Labels** UL and cUL 1598 listed. IP65 and IK10 rated.

**Buy American Act Compliant**

**Warranty** EDGE Wet LED offered with a 5-year limited warranty. Covers LED, driver and fixture.

Specifications and dimensions subject to change without notice. Specification sheets that appear on [pinnacle-ltg.com](http://pinnacle-ltg.com) are the most recent version and supersede all other previously printed or electronic versions.

Designed in Denver, CO • USA | [pinnacle-ltg.com](http://pinnacle-ltg.com) | O: 303-322-5570 F: 303-322-5568

EV6\_WET\_LED\_SPEC\_APRIL2023