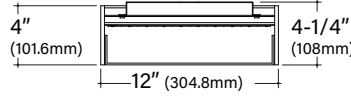


# LiFT LF11D

## 1x1 Direct Suspended Architectural Square



### Key Features

- Formed and welded extruded aluminum housing for seamless finish with 1/4" trim
- Aluminum top cover conceals all electrical components
- Highly reflective die-formed white painted steel reflector
- Fabricated, captive lens with 3 lens positions
- LiFT offered with a 5-year limited warranty. Covers LED, driver and fixture
- ETL Listed conforming to UL1598 in US and CSA 250 in Canada
- Maximum fixture weight is 15 lbs
- Room-side maintenance for LED system
- Buy American Act compliant



Example Part #: LF11D-A-830HO-AC448JB-U-PL2-1-0-W



SHIELDING	SOURCE <sup>1</sup>	MOUNTING <sup>2</sup>	VOLTAGE
<b>A</b> - Flush Satine Lens <b>AL</b> - Drop Satine Lens <b>AR</b> - Regress Satine Lens <i>Shielding pg. 2</i>	<b>_27_</b> - 2700K <b>_30_</b> - 3000K <b>_35_</b> - 3500K <b>_40_</b> - 4000K <b>TW3</b> - Tunable White <b>CL</b> - Custom Lumens <b>CW</b> - Custom Watts <i>Source pg. 2</i>	<b>AS4</b> - 4 AC Straight to JB or ST <b>AC4</b> - 4 AC Centered to JB or ST <b>AH4</b> - 4 AC w/hub to JB or ST <b>PP</b> - Pendant Pipe to JB or ST <b>PS</b> - Pendant Swivel to JB or ST <b>S</b> - Surface Mount <b>WA</b> - Wall Mount <i>Mounting pg. 3</i>	<b>U</b> - Universal (120 thru 277V) <b>1</b> - 120V <b>2</b> - 277V <b>3</b> - 347V <i>Voltage pg. 3</i>
DRIVER	CIRCUITING	BATTERY & EMERGENCY	FINISH
<b>FSD</b> - Factory Select Driver (1%, 0-10v) <b>PL2</b> - Advance Xitanium (1%, 0-10v) <b>EE1</b> - eldoLED ECOdrive (1%, 0-10v) <b>ES1</b> - eldoLED SOLOdrive (0.1%, 0-10v) <b>LH1</b> - Lutron Hi-lume (1%, EcoSystem) <b>OL2</b> - Osram Optotronics (1%, 0-10v) <b>OL4</b> - Osram Optotronics 347v (1%, 0-10v) <i>Driver pg. 3</i>	<b>1</b> - Single Circuit <b>E</b> - Emergency (entire fixture) <b>N</b> - Night Light (entire fixture) <i>Circuiting pg. 4</i>	<b>0</b> - None <b>1PR</b> - Bodine 10W (remote) <b>1PRL</b> - Bodine 7W (remote) <b>1IR</b> - Iota 10W (remote) <b>1IRC</b> - Iota 10W (remote, CEC listed) <b>FSG</b> - Factory Select ALCR <b>GI</b> - Iota ETS DR <b>GB</b> - Bodine GTD <i>Battery &amp; Emergency pg. 4</i>	<b>W</b> - White <b>S</b> - Metallic Silver <b>BL</b> - Textured Black <b>BR</b> - Bronze <b>GR</b> - Graphite <b>CC</b> - Custom Color <i>Finish pg. 4</i>
FIXTURE OPTIONS	CONTROLS <sup>3</sup>		
<b>AM</b> - Antimicrobial Paint <b>DSP</b> - Customer Supplied Battery/Driver/Sensor <b>GMF</b> - Slow Blow Fusing <i>Fixture Options pg. 4</i>	<b>DLMFC</b> - Wattstopper DLM (wired) <b>ENLI</b> - Enlighted IOT (remote) <b>ENLC</b> - Enlighted Connected Lighting (remote) <i>Controls pg. 4</i>		

<sup>1</sup>When specifying SOURCE the first \_ is for specifying either **8** - 80CRI, **9** - 90CRI. The ending \_\_ are for specifying output, example **HO** - High Output. See output charts for more information. <sup>2</sup>Example: AC4120JB. AC4 = 4 Aircraft Cables, 120 = 120" long cables, JB = connects to junction box. Standard AC cable lengths are 48" and 120", field adjustable. Standard pendant lengths are 12", 18", or 24". <sup>3</sup>Controls can only be used with Single Circuit (**1**) or Emergency Circuit (**E**). See Controls chart on page 4 for driver options and more information.




Specifications and dimensions subject to change without notice. Specification sheets that appear on pinnacle-ltg.com are the most recent version and supersede all other previously printed or electronic versions.



## Shielding

- Fabricated, captive lens with 3 lens positions
- Highly reflective white reflectors maintain uniform lens brightness

### Ordering Code

<b>A</b>	<b>AL</b>	<b>AR</b>
Flush Satine Lens	Drop Satine Lens	Regress Satine Lens
		

## Source: White LED

- Specify either 80 or 90 CRI
- Longer lead-time may apply for 90 CRI. Consult factory
- 90 CRI = R9≥50

## Custom Output- Lumens OR Wattage

<b>CL</b> _____	Specify CRI, CCT and desired lumens (i.e. CL8352000)	Specify lumens between standard offering listed below. Lumens are specified per color temp
<b>CW</b> _____	Specify CRI, CCT and desired wattage (i.e. CW94020)	Specify watts between standard offering listed below

### 80 CRI

	Color	Lumens	Shielding <b>A, AL, AR</b> Satine Lens	
			Watts	LPW
<b>830LO</b>	3000K	552	6.0	92
<b>830MO</b>	3000K	888	9.1	98
<b>830HO</b>	3000K	1215	12.8	95
<b>835LO</b>	3500K	571	6.0	95
<b>835MO</b>	3500K	931	9.1	102
<b>835HO</b>	3500K	1291	12.8	101
<b>840LO</b>	4000K	599	6.0	99
<b>840MO</b>	4000K	965	9.1	106
<b>840HO</b>	4000K	1329	12.9	103

### 90 CRI

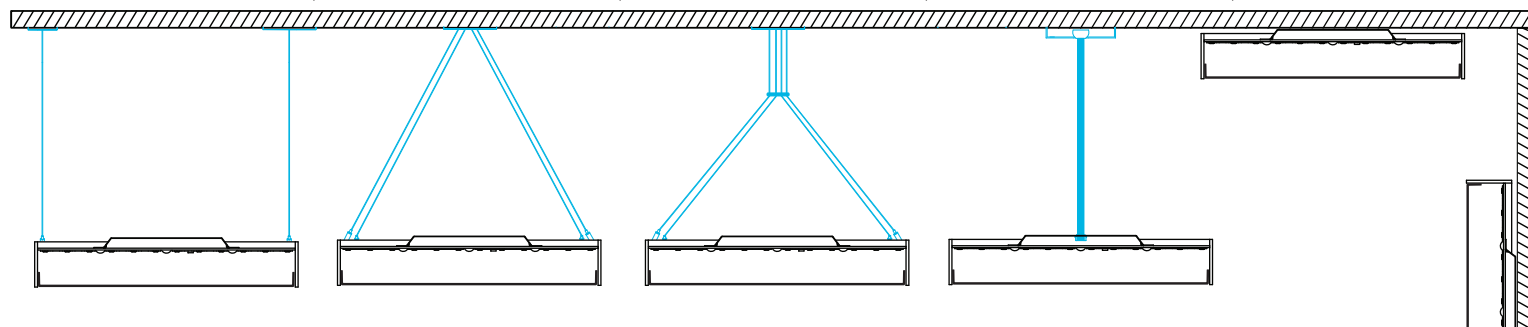
<b>927LO</b>	2700K	448	6.0	74
<b>927MO</b>	2700K	722	9.1	79
<b>927HO</b>	2700K	991	12.8	77
<b>930LO</b>	3000K	478	6.0	79
<b>930MO</b>	3000K	771	9.1	85
<b>930HO</b>	3000K	1060	12.8	83
<b>935LO</b>	3500K	478	6.0	79
<b>935MO</b>	3500K	771	9.1	85
<b>935HO</b>	3500K	1060	12.8	83
<b>940LO</b>	4000K	503	6.0	84
<b>940MO</b>	4000K	810	9.1	89
<b>940HO</b>	4000K	1110	12.9	86



## Mounting

- Aircraft cables and pendants mount directly to a standard junction box or structure
- Canopies and pendants match fixture finish, power cords are white, grey, or black depending on fixture finish. See Finish section for additional details.
- Must specify overall pendant length of 12", 18" or 24"
- Must specify cable length, either 48" or 120" standard, field adjustable
- Tie off fixture to structure with retention wires
- Maximum fixture weight is 15 lbs

<b>AS4__JB</b> 4 AC cables straight, fixture to J-Box	<b>AC4__JB</b> 4 AC cables, center mount, fixture to J-Box	<b>AH4__JB</b> 4 AC cables with hub, fixture to J-Box	<b>PP__JB</b> Pendant Pipe to J-Box	<b>S</b> Surface Mount Ceiling
<b>AS4__ST</b> 4 AC cables straight, fixture to Structure	<b>AC4__ST</b> 4 AC cables, center mount, fixture to Structure	<b>AH4__ST</b> 4 AC cables with hub, fixture to Structure	<b>PS__JB</b> Pendant Swivel to J-Box	<b>WA</b> Surface Mount Wall
			<b>PP__ST</b> Pendant Pipe to Structure	
			<b>PS__ST</b> Pendant Swivel to Structure	



## Voltage

- Some LiFT configurations will not accommodate all voltage options; consult with factory

<b>U</b>	Universal
<b>1</b>	120 volt
<b>2</b>	277 volt
<b>3</b>	347 volt

## Driver

- Standard Driver Option = FSD
- Driver Lifetime: 50,000 hours at 25°C ambient operating conditions
- For more Driver options, see Pinnacle Resource Guide on download pages at [pinnacle-ltg.com](http://pinnacle-ltg.com)
- Some LiFT configurations will not accommodate all driver options; consult with factory

### 0-10V Drivers

<b>FSD</b>	Factory Select Driver 1%, 0-10v
<b>OL2</b>	Osram Optotronic, 1%, 0-10v
<b>OL4</b>	Osram Optotronic 347v, 1% 0-10v, requires 347v option
<b>EE1</b>	eldoLED ECOdrive 1%, 0-10v Logarithmic
<b>EE2</b>	eldoLED ECOdrive 1%, 0-10v Linear
<b>ES1</b>	eldoLED SOLOdrive 0-10v, 0.1% Logarithmic
<b>ES2</b>	eldoLED SOLOdrive 0-10v, 0% Linear

### DALI Drivers

<b>EE3</b>	eldoLED ECOdrive .1%, DALI (logarithmic)
<b>ES3</b>	eldoLED SOLOdrive .1%, DALI (logarithmic)

### Lutron Drivers

<b>LH1</b>	Lutron Hi-lume Soft-on, Fade-to-black 1%, EcoSystem, LDE1
<b>LH4</b>	Lutron Hi-Lume 1%, 2-wire, Lutron-LTEA2W, 120v only



## Circuiting

- Select fixture circuiting from options below
- Some LIFT configurations will not accommodate all circuiting options; consult with factory

<b>1</b>	Single Circuit
<b>E</b>	Emergency Circuit only
<b>N</b>	Night Light Circuit only

## Battery & Emergency

- Select battery or emergency options if required
- Battery duration is 90 minutes
- Test button is integral to fixture
- For more Battery options, see Pinnacle Resource Guide on download pages at [pinnacle-ltg.com](http://pinnacle-ltg.com)

<b>0</b>	No Battery
<b>1IRC</b>	Iota 10w Remote
<b>1IRH</b>	Iota 20w Remote
<b>1PRL</b>	Bodine 7w Remote
<b>1PRS</b>	Bodine 7w Remote, Self Testing
<b>1PRD</b>	Bodine 10w Remote, Dual Flex
<b>1PRH</b>	Bodine 20w Remote
<b>FSG</b>	Factory Select Automatic Load Control Relay (ALCR), UNV
<b>GI</b>	Emergency Transfer Switch (ETS) DR Emergency Control Device, UNV
<b>GB</b>	Bodine GTD, Generator Transfer Device, 120v or 277v

### For Approximate Battery Lumen Output

- Multiply battery wattage X fixture LPW shown on Lumen Table
- 10 (watts) x 92.3 (LPW) = 923 battery lumen output

### Battery & Emergency Ordering Examples

- Single circuit, 10w integral battery      Ordering Code: 1-1P
- Emergency circuit only, 10w integral battery      Ordering Code: E-1P

## Finish

- Standard powder-coat textured white, metallic silver, textured black, graphite or bronze painted finish; consult factory for chip of standard paint finishes
- Selecting a fixture finish other than white may impact lumen output; consult factory for more information

<b>W</b>	White ( <i>white cord/white canopy</i> )
<b>S</b>	Metallic Silver ( <i>grey cord/silver canopy</i> )
<b>BL</b>	Textured Black ( <i>black cord/black canopy</i> )
<b>BR</b>	Bronze ( <i>white cord/bronze canopy</i> )
<b>GR</b>	Graphite ( <i>white cord/graphite canopy</i> )
<b>CC</b>	Custom Color ( <i>white cord/color match canopy</i> )

## Fixture Options

- Additional options to enhance the fixture and finish of the product

<b>AM</b>	Antimicrobial Paint
<b>DSP</b>	Customer Supplied Battery/Driver/Sensor
<b>GMF</b>	Internal Slow Blow Fuse

## Controls

- Pinnacle Lighting offers easy to specify network control solutions that connect to an intelligent centralized system to maximize lighting energy efficiencies or integral sensors for individual fixture control
- Pinnacle Lighting fixtures ship technology ready; commissioning by others
- Controls can only be used with Single Circuit (1) or Emergency Circuit (E)
- Contact factory for any non-standard configurations for layout, placement, or EM options
- One sensor per housing typical, contact factory for more information

	Solution	Components	Network/Sensor	Connection	RQD Drivers	Limitation
<b>DLMFC</b>	Legrand Wattstopper DLM	LMFC-011	Digital Lighting Management (DLM)	Wired, two RJ45 ports	OL2, OL4	None
<b>ENLI</b>	Enlighted IOT	CU-4E	Enlighted, Remote	Enlighted Cable	Any 0-10v	Not available with 347 volt
<b>ENLC</b>	Enlighted Connected Lighting	CU-4E	Enlighted, Remote	Enlighted Cable	Any 0-10v	Not available with 347 volt



## Approvals & Certifications

**Construction:** Formed 20 gauge cold rolled steel housing. Highly reflective die-formed white painted reflector. Wiring access available on top of housing. Lens is removable for room-side maintenance of lens, driver and LED boards.

**Shielding:** Single piece fabricated diffuse acrylic lens creating a fully luminous fixture.

**Mounting:** Aircraft cable, Pendant, Surface and Wall mount available. Aircraft Cable and pendant supplied with 5" (127mm) canopies. Refer to installation instructions for appropriate ceiling detail. Maximum fixture weight is 15lbs.

**LED:** 25°C test environment. Lumen output/wattage has a margin of +/- 5%. Luminaire configurations tested in accordance with IES LM-79. Diodes tested in accordance with IES LM-80. Lifetime calculated using IES TM-21. Minimum lifetime greater than 60,000 hours. L70 = 146,500 hours and L90 = 45,000 hours. MacAdam 3-Step Ellipses. Not all products are Lighting Facts listed. For all available IES files, please visit our website at pinnacle-ltg.com.

**Color & Lumen Output:** Three lumen packages available. Low (LO), Middle (MO) and High (HO). Custom outputs are available. Specify custom lumens or watts between standard offering listed on CRI, CCT & Output page. 80 CRI is available for 3000K, 3500K, and 4000K. 90 CRI is available for 2700K, 3000K, 3500K, and 4000K. 90 CRI = R9≥50.

**Voltage:** Universal (U), 120 volt (1), 277 volt (2) and 347 volt (3) options available. Must specify OL4 in Driver section when 347 volt (3) is selected. Some LiFT configurations will not accommodate all voltage options; consult with factory.

**Driver:** Standard Driver Option is Advance 0-10V, 1% = PL2. Electronic driver, Power factor is >0.9 with a THD <20%. Driver Lifetime: 50,000 hours at 25°C ambient operating conditions. For more driver options, see Pinnacle Resource Guide on download pages at pinnacle-ltg.com. Some LiFT configurations will not accommodate all driver options.

**Circuiting:** Select from single circuit (1), Emergency circuit (E) or Night Light circuit (N). Some LiFT configurations will not accommodate all circuiting options; consult with factory.

**Battery & Emergency:** Select battery or emergency options if required. If battery or emergency option is not required, enter 0. Battery duration is 90 minutes as standard. Test button is integral to fixture. For more Battery options, see Pinnacle Resource Guide on download pages at pinnacle-ltg.com.

**Finish:** Standard powder-coat textured white, metallic silver, textured black, graphite, or bronze painted finish, consult factory for chip of standard paint finishes. Contact factory for additional custom color and finish options.

**Controls:** DLM utilizes wired network connections for digital control through switching and dimming with 0-10v LED drivers. Enlighted Smart Sensor provides multi-functionality including daylight harvesting and PIR occupancy; for IOT platform using 0-10v LED drivers. Enlighted Smart Sensor provides multi-functionality including daylight harvesting and PIR occupancy; for Connected platform using 0-10v LED drivers.

**Labels:** ETL Listed conforming to UL1598 in US and CSA 250 in Canada. Approved for dry/damp location unless otherwise noted.

**Fixture Weight:** 15 lbs maximum.

**Buy American Act Compliant**

**Warranty:** LiFT LED offered with a 5-year limited warranty. Covers LED, driver and fixture.