

# EDGE EX6BWET

## 6" Suspended Bidirectional Linear WET

### Key Features

- Approved for wet location unless otherwise noted. IP65 and IK10 rated
- 6063-T5 Extruded aluminum housing
- Highly reflective die-formed white painted reflector
- All-inclusive module houses all LED system components in one compact unit
- Unit easily releases from the housing for room-side maintenance
- Wiring access available through bottom of housing
- 5-year limited warranty covers LED, driver and fixture
- ETL listed conforming to UL 1598 in US and CSA 250 in Canada
- Buy American Act compliant



Example Part #: EX6B-WET-O-830HO-830-8'-IND-PP18JB-U-OL2-1-0-W

### EX6B - WET - O

DIRECT SHIELDING    INDIRECT SHIELDING    DIRECT OUTPUT    INDIRECT OUTPUT    LENGTH    POSITION    MOUNTING    VOLTAGE    DRIVER    CIRCUITING    BATTERY & EMERGENCY    FINISH    FIXTURE OPTIONS    CONTROLS

WET	O	-----	
DIRECT SHIELDING	INDIRECT SHIELDING	DIRECT CRI, CCT & OUTPUT <sup>1</sup>	INDIRECT CRI, CCT & OUTPUT <sup>1</sup>
<b>WET</b> - Satine Wet Lens Shielding pg. 2	<b>O</b> - Open Shielding pg. 2	<b>_27_</b> - 2700K <b>_30_</b> - 3000K <b>_35_</b> - 3500K <b>_40_</b> - 4000K <b>_50_</b> - 5000K <b>CL</b> ----- - Custom Lumens <b>CW</b> ----- - Custom Watts <i>Lumen Output pg. 2</i>	<b>_27_</b> - 2700K <b>_30_</b> - 3000K <b>_35_</b> - 3500K <b>_40_</b> - 4000K <b>_50_</b> - 5000K <b>CL</b> ----- - Custom Lumens <b>CW</b> ----- - Custom Watts <i>Lumen Output pg. 2</i>

LENGTH <sup>2</sup>	POSITION <sup>3</sup>	MOUNTING <sup>4</sup>	VOLTAGE	DRIVER
<b>__</b> - Individual Fixture Length pg. 2	<b>IND</b> - Individual Fixture <b>BOR</b> - Beginning of Row <b>MOR</b> - Middle of Row <b>EOR</b> - End of Row <i>Position pg. 3</i>	<b>PP__JB</b> - Pendant to J Box <b>PP__ST</b> - Pendant to Structure <b>WA</b> - Wall Mount <i>Mounting pg. 3</i>	<b>U</b> - Universal (120 thru 277V) <b>1</b> - 120V <b>2</b> - 277V <b>3</b> - 347V <i>Voltage pg. 3</i>	<b>FSD</b> - Factory Select Driver (1%, 0-10v) <b>PL2</b> - Advance Xitanium (1%, 0-10v) <b>OL4</b> - Osram 347v (1%, 0-10v) <b>EE1</b> - eldoLED ECOdrive (1%, 0-10v) <b>ES1</b> - eldoLED SOLOdrive (0%, 0-10v) <b>LH1</b> - Lutron Hi-lume (1%, EcoSystem) <b>PS1</b> - Advance Xitanium (50%/100%) <b>OL2</b> - Osram (1%, 0-10v) <i>Driver pg. 3</i>

CIRCUITING	BATTERY & EMERGENCY <sup>5</sup>	FINISH	FIXTURE OPTIONS <sup>6</sup>	CONTROLS
<b>1</b> - Single Circuit <b>M</b> - Multi Circuit <b>E</b> - Emergency (entire fixture) <b>N</b> - Night Light (entire fixture) <i>Circuiting pg. 4</i>	<b>0</b> - None <b>_FSG</b> - Factory Select ALCR <b>_GI</b> - Iota ETS DR <b>_GB</b> - Bodine GTD <b>_P</b> - Bodine 10W <b>_IC</b> - Iota 10W Integral (CEC Listed) <b>_E</b> - Emergency Section <b>_N</b> - Night Light Section <b>_L</b> - Life Safety Section <i>Battery and Emergency pg. 4</i>	<b>W</b> - White <b>S</b> - Metallic Silver <b>BL</b> - Textured Black <b>BR</b> - Bronze <b>GR</b> - Graphite <b>CC</b> - Custom Color <i>Finish pg. 4</i>	<b>GLR</b> - Internal Fast Blow Fuse <b>EPF</b> - End Power Feed <b>DSP</b> - Customer Supplied Battery/Driver/Sensor <b>N</b> - Natatorium (corrosion resistant hardware) <i>Fixture Options pg. 5</i>	<i>Pinnacle is able to accommodate different control solutions from different manufacturers. Consult Factory for more information.</i>

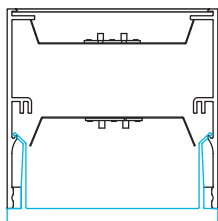
<sup>1</sup>When specifying OUTPUT the first \_ is for specifying either 8 - 80CRI or 9 - 90CRI. The ending \_\_ are for specifying output, example HO - High Output. See output charts for more information. <sup>2</sup>Individual fixtures come in nominal 2', 3', 4', 5', 6', 7', & 8' lengths, see pg. 2 for actual lengths. <sup>3</sup>Specify position of fixture. Use IND for an individual fixture, use BOR, MOR, or EOR for building connected rows. <sup>4</sup>Specify pendant length of either 12", 18" or 24". Pendant options not available with Natatorium. <sup>5</sup>Enter quantity for Battery and Emergency, Example 2P. <sup>6</sup>Natatorium not available with pendant options.

Specifications and dimensions subject to change without notice. Specification sheets that appear on pinnacle-ltg.com are the most recent version and supersede all other previously printed or electronic versions.



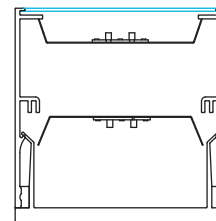
## Direct Shielding

**WET**  
Satine Wet Lens



## Indirect Shielding

**O**  
Open, clear lens



## Output

- Specify either 80 or 90 CRI
- Longer lead-time may apply for 90 CRI. Consult factory
- 80 CRI = R9≥19 and 90 CRI = R9≥61

## Custom Output- Lumens OR Wattage

**CL** \_\_\_\_\_ Specify CRI, CCT and desired lumens (i.e. CL835500) *Specify lumens between standard offering listed below. Lumens are specified per color temp*  
**CW** \_\_\_\_\_ Specify CRI, CCT and desired wattage (i.e. CW9407) *Specify watts between standard offering listed below*

80 CRI				Direct		Indirect	
	Color	Output	Watts	Shielding <b>WET</b> Satine Wet Lumens/ft   LPW		<b>O</b> Open Lumens/ft   LPW	
<b>830</b>	3000K	Standard	4.3	433	100.4	686	159.1
<b>830HO</b>	3000K	High	8.7	783	90.5	1239	143.2
<b>835</b>	3500K	Standard	4.3	442	102.5	699	162.1
<b>835HO</b>	3500K	High	8.7	798	92.3	1264	146.1
<b>840</b>	4000K	Standard	4.3	455	105.5	720	167.0
<b>840HO</b>	4000K	High	8.7	821	94.9	1300	150.3
<b>850</b>	5000K	Standard	4.3	453	105.0	718	166.5
<b>850HO</b>	5000K	High	8.7	819	94.7	1297	149.9

90 CRI				Direct		Indirect	
<b>927</b>	2700K	Standard	4.3	342	79.3	542	125.7
<b>927HO</b>	2700K	High	8.7	619	71.6	979	113.2
<b>930</b>	3000K	Standard	4.3	367	85.1	582	135.0
<b>930HO</b>	3000K	High	8.7	664	76.8	1051	121.5
<b>935</b>	3500K	Standard	4.3	388	90.0	614	142.4
<b>935HO</b>	3500K	High	8.7	701	81.0	1110	128.3
<b>940</b>	4000K	Standard	4.3	388	90.0	615	142.6
<b>940HO</b>	4000K	High	8.7	702	81.2	1111	128.4

## Length

2	3	4	5	6	7	8
Individual Fixture	Individual Fixture	Individual Fixture	Individual Fixture	Individual Fixture	Individual Fixture	Individual Fixture
27-1/8" (689mm)						
39" (991mm)						
50-3/4" (1289mm)						
62-5/8" (1591mm)						
74-5/8" (1895mm)						
86-1/2" (2197mm)						
98-3/8" (2499mm)						

Specifications and dimensions subject to change without notice. Specification sheets that appear on pinnacle-ltg.com are the most recent version and supersede all other previously printed or electronic versions.



## Position

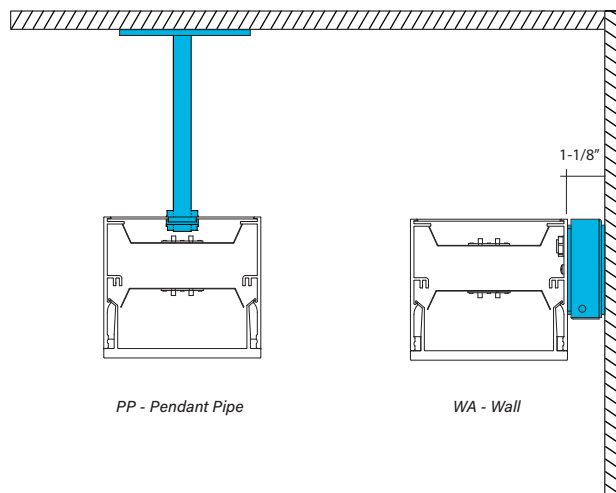
- When making rows with EDGE Wet, the rows must be ordered as individual units with a position specified
- Positions can either be "BOR" - Beginning of Row, "MOR" - Middle of Row, or "EOR" - End of Row
- The connection between fixtures is less than 1/8"
- For single, non-connected units, specify as "IND" for individual

IND	BOR	MOR	EOR
Individual Fixture	Beginning of Row	Middle of Row	End of Row

## Mounting

- 1/2" diameter rigid stem pendant and wall mount available
- Specify overall pendant length of 12", 18" or 24"
- Specify pendant length in ordering code (PP12JB)
- Utilize Surface Mount for in-wall application. Building surface waterproofing by others
- End trims and power cord attached at factory
- Canopies and pendants match fixture finish, see Finish section for additional details
- Approved for wet location unless otherwise noted
- Refer to installation instructions during installation at the jobsite
- Fixtures may only be installed with the direct lens facing down. For an in-wall application with the lens facing outward, please see the EDGE Wet Recessed Spec Sheet.

PP_JB	Pendant Pipe to J-Box
PP_ST	Pendant Pipe to Structure
WA	Wall Mount



## Voltage

- Some EDGE Wet configurations will not accommodate all voltage options; consult with factory

U	Universal
1	120 volt
2	277 volt
3	347 volt

## Driver

- Standard Driver Option = FSD
- Driver Lifetime: 50,000 hours at 25°C ambient operating conditions
- For more driver options see Pinnacle Resource Guide
- Some EDGE Wet configurations will not accommodate all driver options; consult with factory

0-10V Drivers	
FSD	Factory Select Driver 1%, 0-10v
PL2	Signify Advance Xitanium 1%, 0-10v
PL4	Advance Xitanium 347v 1%, 0-10v, requires 347v
OL2	Osram Optotronic, 1%, 0-10v
OL4	Osram Optotronic 347v, 1% 0-10v, requires 347v option
EE1	eldoLED ECOdrive 1%, 0-10v Logarithmic
EE2	eldoLED ECOdrive 1%, 0-10v Linear
ES1	eldoLED SOLOdrive 0-10v, 0% Logarithmic
ES2	eldoLED SOLOdrive 0-10v, 0% Linear
DALI Drivers	
EE3	eldoLED SOLOdrive .1%, DALI (logarithmic)
EE4	eldoLED SOLOdrive .1%, DALI (linear)
OD1	Osram Optotronic 1%, DEXAL
OD2	Osram Optotronic 1%, DALI 2 Channel
Lutron Drivers	
LH1	Lutron Hi-lume Soft-on, Fade-to-black 1%, EcoSystem, LDE1
LH4	Lutron Hi-Lume 1%, 2-wire, Lutron-LTEA2W, 120v only
Alternate Drivers	
PS1	Signify Advance Xitanium Step Dimming 50%/100%
EH1	ELV 120v only, 0-10v universal
OD1	Osram Optotronic 1%, DEXAL



## How to specify Circuiting, Battery and Emergency

1

- Select fixture circuiting from options below
- Some EDGE Wet configurations will not accommodate all circuiting options, consult with factory

### Circuiting

<b>1</b>	Single Circuit
<b>2</b>	Dual Circuit
<b>M</b>	Multi Circuit
<b>E</b>	Emergency Circuit only
<b>N</b>	Night Light Circuit only

2

+

3

- Battery and emergency section options are available in addition to fixture circuit
- Select battery and emergency section options below; factory shop drawing required
- Some EDGE Wet configurations will not accommodate all circuiting options, consult with factory

### Battery and/or Emergency *If Required*

<b>0</b>	No battery or specific emergency section required
----------	---

### Battery

- Select battery section type if required, indicate total QTY. *Example 2P*
- 90 minute battery runtime; test button is integral to the fixture
- No battery option available for 2' lengths

- Entire direct fixture housing is on battery for lengths up to 5'
- Half of direct fixture is on battery for 6', 7' or 8' housing lengths
- For more battery options available, see Pinnacle Resource Guide

<b>0</b>	No Battery
<b>_IC</b>	10w Integral
<b>_ILL</b>	10w Integral Lithium, Self Testing
<b>_IRH</b>	20w Remote
<b>_P</b>	Bodine 10w Integral
<b>_PLL</b>	Bodine 10w Integral Lithium, Self Testing
<b>_PRH</b>	Bodine 20w Remote

#### For Approximate Battery Lumen Output

- Multiply battery wattage X fixture LPW shown on Lumen Table
- 92.3 (LPW) x 10 (watts) = 923 battery lumen output

### Emergency

- Select emergency section type if required, indicate total QTY. *Example 1E*
- Combine battery and emergency section ordering codes if both options are selected

<b>_FSG</b>	Factory Select ALCR, Automatic Load Control Relay
<b>_GI</b>	10w ETS DR, Emergency Lighting Control Device
<b>_GB</b>	Bodine GTD, Emergency Lighting Control Device
<b>_E</b>	Emergency circuit section
<b>_N</b>	Night Light circuit section
<b>_L</b>	Life Safety circuit section NO THROUGH WIRE

#### Combination Section Ordering Examples

- Single circuit, (1) 10w battery, (1) emergency section    Ordering Code: 1-1P1E
- Multi circuit, (2) 10w battery, (2) emergency sections    Ordering Code: M-2P2E
- Single circuit, (1) night light section    Ordering Code: 1-1N

#### Battery OR Emergency Ordering Examples

- Single circuit, 10w Integral Battery    Ordering Code: 1-1P
- Emergency only, 10w Integral Battery    Ordering Code: E-1P
- Single circuit, GTD required    Ordering Code: 1-1G

### Finish

- Standard powder-coat textured white, metallic silver, textured black, graphite or bronze painted finish; consult factory for chip of standard paint finishes
- Selecting a fixture finish other than white may impact lumen output; consult factory for more information

<b>W</b>	White ( <i>white pendant &amp; canopy</i> )
<b>S</b>	Metallic Silver ( <i>silver pendant &amp; canopy</i> )
<b>BL</b>	Textured Black ( <i>black pendant &amp; canopy</i> )
<b>BR</b>	Bronze ( <i>bronze pendant &amp; canopy</i> )
<b>GR</b>	Graphite ( <i>graphite pendant &amp; canopy</i> )
<b>CC</b>	Custom Color ( <i>color match pendant &amp; canopy</i> )

Specifications and dimensions subject to change without notice. Specification sheets that appear on pinnacle-ltg.com are the most recent version and supersede all other previously printed or electronic versions.



## Fixture Options

- Additional options to enhance the fixture and finish of the product

<b>GLR</b>	Internal Fast Blow Fuse
<b>DSP</b>	Customer Supplied Battery/Driver/Sensor
<b>EPF</b>	End Power Feed
<b>N</b>	Natatorium (corrosion resistant hardware)

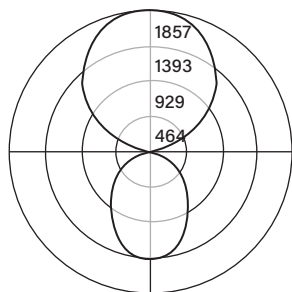
## Controls

- Pinnacle is able to accommodate different control solutions from different manufacturers. Consult Factory for more information.

## Photometrics

### Satine Wet - Open

Test #	Scaled from ITL86512
Catalog #	EX6-WET-O-840-840-4
Lumens	8483 lm
Watts	69.2 W
Efficacy	123 LPW



### Candela Distribution

Vert Angle	Horizontal Angle				
	0	22.5	45	67.5	90
0	1399	1399	1399	1399	1399
5	1390	1390	1390	1388	1387
15	1321	1309	1310	1304	1296
25	1180	1162	1157	1143	1132
35	987	971	958	935	923
45	773	759	742	717	705
55	555	547	532	513	501
65	356	354	345	333	325
75	182	185	185	183	179
85	50	58	66	70	72
90	2	12	23	31	33
95	25	33	38	43	45
105	253	259	218	191	182
115	619	631	627	634	618
125	973	977	986	1017	997
135	1272	1273	1305	1294	1297
145	1526	1518	1519	1530	1527
155	1691	1674	1696	1684	1683
165	1797	1790	1798	1801	1803
175	1848	1850	1847	1850	1851
180	1856	1856	1856	1856	1856

### Luminance Data (cd/sq.m)

Angle In Degrees	Average 0-Deg	Average 45-Deg	Average 90-Deg
45	5883	5445	5117
55	5200	4727	4383
65	4505	4048	3725
75	3715	3333	3107
85	2895	2756	2752

For all available IES files, please visit our website at [pinnacle-ltg.com](http://pinnacle-ltg.com). Photometry testing in accordance to IESNA-LM-79-08 at an NVLAP accredited testing laboratory. Testing conducted at 25°C ambient conditions

## Applications & Certificates

**Construction** 6063-T5 extruded aluminum housing with welded ends. Internal lens gaskets seal housing to prevent moisture and debris from entering the fixture. Pressure equalizing vent allows fixture to “breathe” preventing condensation.

**Shielding** Solid acrylic diffuse snap-in lens with matte finish with an EPDM gasketed for complete wet seal

**Mounting** Fixtures can be installed individually or connected for a continuous run appearance. IND fixtures are individual fixtures and have no joining holes. IND fixtures cannot be joined. BOR fixtures are used for beginning of row and have joining holes on non-power end of fixture. MOR fixtures are used for middle of row and have joining holes on both ends of fixture. EOR fixtures are used for the end of a row and have no joining holes on power end of fixture. Consult factory for detailed installation instructions.

**LED** 25°C test environment. Lumen output/wattage has a margin of +/- 5%; 2' or 3' lengths may have a greater wattage deviation. All luminaire configurations tested in accordance with IES LM-79. Diodes tested in accordance with IES LM-80. Lifetime calculated using IES TM-21. Minimum lifetime greater than 60,000 hours. Lifetime Projection L70 = 136,200 hours and L90 = 41,100 hours. MacAdam 3-Step Ellipses. Not all products are Lighting Facts listed. For all available IES files, please visit our website at [pinnacle-ltg.com](http://pinnacle-ltg.com).

**CRI, CCT & Lumen Output** Two lumen packages available. Standard and High (HO). Custom outputs are available. Specify custom lumens or watts between standard offering listed on CRI, CCT & Output page. 80 CRI is available for 3000K, 3500K, and 4000K. 90 CRI is available for 2700K, 3000K, 3500K, and 4000K. 80 CRI = R9≥19 and 90 CRI = R9≥61.

**Voltage** Universal (U), 120 volt (1), 277 volt (2) and 347 volt (3) options available. Must specify OL4 in Driver section when 347 volt (3) is selected. Some EDGE Wet configurations will not accommodate all voltage options; consult with factory.

**Driver** Standard Driver Option is Advance Xitanium 0-10V, 1% = PL2. Electronic driver,

Power factor is >0.9 with a THD <20%. Driver Lifetime: 50,000 hours at 25°C ambient operating conditions. Ambient operating range: -20°F/-30°C to 92°F/34°C. For more driver options, see Pinnacle Resource Guide. Some EDGE Wet configurations will not accommodate all driver options.

**Circuiting** Select from single circuit (1), dual circuit (2), Multi circuit - For multiple circuiting and zone control, requires factory shop drawing (M), Emergency circuit (E) or Night Light circuit (N). For emergency circuiting situations that require no through wire or circuit separation, Life Safety Circuit should be selected. This will provide a separate power feed and only the Life Safety Circuit in that section. Some EX configurations will not accommodate all circuiting options; consult with factory.

**Battery & Emergency** Select battery or emergency options if required. If battery or emergency option is not required, enter 0. Battery duration is 90 minutes as standard. Test button is integral to fixture. For more Battery options, see Pinnacle Resource Guide.

**Finish** Standard powder-coat textured white, metallic silver, textured black, graphite or bronze painted finish; consult factory for chip of standard paint finishes or for additional custom color and finish options.

**Controls** Consult Factory

**Labels** ETL listed conforming to UL 1598 in US and CSA 250 in Canada. IP65 and IK10 rated.

**Buy American Act Compliant**

**Warranty** EDGE Wet LED offered with a 5-year limited warranty. Covers LED, driver and fixture.

Specifications and dimensions subject to change without notice. Specification sheets that appear on [pinnacle-ltg.com](http://pinnacle-ltg.com) are the most recent version and supersede all other previously printed or electronic versions.

Designed in Denver, CO • USA | [pinnacle-ltg.com](http://pinnacle-ltg.com) | O: 303-322-5570 F: 303-322-5568

EX6B\_WET\_LED\_SPEC\_OCT2022