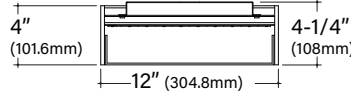


LiFT LF11D

1x1 Direct Suspended Architectural Square



Key Features

- Formed and welded extruded aluminum housing for seamless finish with 1/4" trim
- Aluminum top cover conceals all electrical components
- Highly reflective die-formed white painted steel reflector
- Fabricated, captive lens with 3 lens positions
- LiFT offered with a 5-year limited warranty. Covers LED, driver and fixture
- ETL Listed conforming to UL1598 in US and CSA 250 in Canada
- Maximum fixture weight is 15 lbs
- Room-side maintenance for LED system
- Buy American Act compliant



Example Part #: LF11D-A-830HO-AC448JB-U-PL2-1-0-W



SHIELDING	SOURCE ¹	MOUNTING ²	VOLTAGE
A - Flush Satine Lens AL - Drop Satine Lens AR - Regress Satine Lens <i>Shielding pg. 2</i>	_27_ - 2700K _30_ - 3000K _35_ - 3500K _40_ - 4000K TW3 - Tunable White CL - Custom Lumens CW - Custom Watts <i>Source pg. 2</i>	AS4 - 4 AC Straight to JB or ST AC4 - 4 AC Centered to JB or ST AH4 - 4 AC w/hub to JB or ST PP - Pendant Pipe to JB or ST PS - Pendant Swivel to JB or ST S - Surface Mount WA - Wall Mount <i>Mounting pg. 3</i>	U - Universal (120 thru 277V) 1 - 120V 2 - 277V 3 - 347V <i>Voltage pg. 3</i>
DRIVER	CIRCUITING	BATTERY & EMERGENCY	FINISH
FSD - Factory Select Driver (1%, 0-10v) PL2 - Advance Xitanium (1%, 0-10v) EE1 - eldoLED ECOdrive (1%, 0-10v) ES1 - eldoLED SOLOdrive (0%, 0-10v) LH1 - Lutron Hi-lume (1%, EcoSystem) OL2 - Osram Optotronics (1%, 0-10v) OL4 - Osram Optotronics 347v (1%, 0-10v) <i>Driver pg. 3</i>	1 - Single Circuit E - Emergency (entire fixture) N - Night Light (entire fixture) <i>Circuiting pg. 4</i>	0 - None 1PR - Bodine 10W (remote) 1PRL - Bodine 7W (remote) 1IR - Iota 10W (remote) 1IRC - Iota 10W (remote, CEC listed) FSG - Factory Select ALCR GI - Iota ETS DR GB - Bodine GTD <i>Battery & Emergency pg. 4</i>	W - White S - Metallic Silver BL - Textured Black BR - Bronze GR - Graphite CC - Custom Color <i>Finish pg. 4</i>
FIXTURE OPTIONS	CONTROLS ³		
AM - Antimicrobial Paint DSP - Customer Supplied Battery/Driver/Sensor GMF - Slow Blow Fusing <i>Fixture Options pg. 4</i>	DLMFC - Wattstopper DLM (wired) ENLI - Enlighted IOT (remote) ENLC - Enlighted Connected Lighting (remote) <i>Controls pg. 4</i>		

¹When specifying SOURCE the first _ is for specifying either **8** - 80CRI, **9** - 90CRI. The ending __ are for specifying output, example **HO** - High Output. See output charts for more information. ²Example: AC4120JB. AC4 = 4 Aircraft Cables, 120 = 120" long cables, JB = connects to junction box. Standard AC cable lengths are 48" and 120", field adjustable. Standard pendant lengths are 12", 18", or 24". ³Controls can only be used with Single Circuit (**1**) or Emergency Circuit (**E**). See Controls chart on page 4 for driver options and more information.




Specifications and dimensions subject to change without notice. Specification sheets that appear on pinnacle-ltg.com are the most recent version and supersede all other previously printed or electronic versions.



Shielding

- Fabricated, captive lens with 3 lens positions
- Highly reflective white reflectors maintain uniform lens brightness

Ordering Code

A	AL	AR
Flush Satine Lens	Drop Satine Lens	Regress Satine Lens
		

Source: White LED

- Specify either 80 or 90 CRI
- Longer lead-time may apply for 90 CRI. Consult factory
- 80 CRI = R9≥19 and 90 CRI = R9≥61

Custom Output- Lumens OR Wattage

CL _____	Specify CRI, CCT and desired lumens (i.e. CL8352000)	Specify lumens between standard offering listed below. Lumens are specified per color temp
CW _____	Specify CRI, CCT and desired wattage (i.e. CW94020)	Specify watts between standard offering listed below

80 CRI

	Color	Lumens	Shielding A, AL, AR Satine Lens	
			Watts	LPW
830LO	3000K	552	6.0	92
830MO	3000K	888	9.1	98
830HO	3000K	1215	12.8	95
835LO	3500K	571	6.0	95
835MO	3500K	931	9.1	102
835HO	3500K	1291	12.8	101
840LO	4000K	599	6.0	99
840MO	4000K	965	9.1	106
840HO	4000K	1329	12.9	103

90 CRI

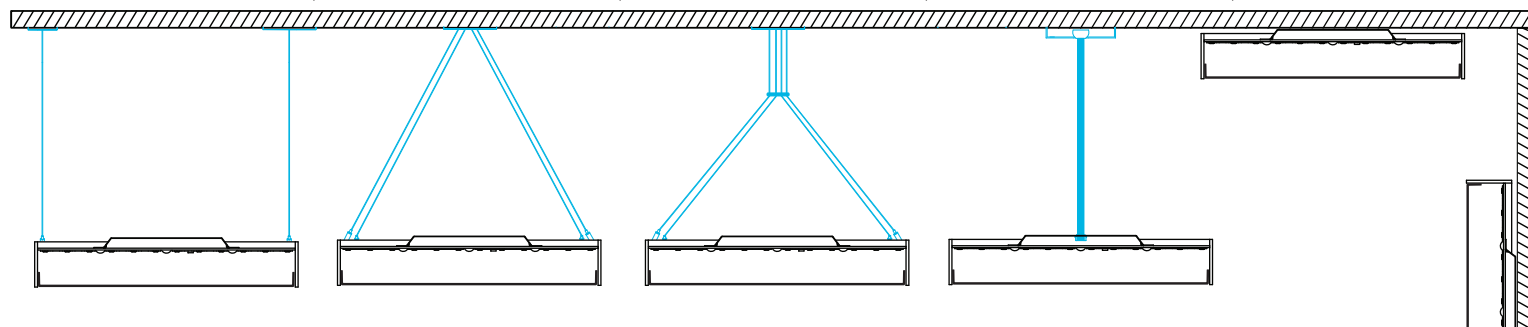
927LO	2700K	448	6.0	74
927MO	2700K	722	9.1	79
927HO	2700K	991	12.8	77
930LO	3000K	478	6.0	79
930MO	3000K	771	9.1	85
930HO	3000K	1060	12.8	83
935LO	3500K	478	6.0	79
935MO	3500K	771	9.1	85
935HO	3500K	1060	12.8	83
940LO	4000K	503	6.0	84
940MO	4000K	810	9.1	89
940HO	4000K	1110	12.9	86



Mounting

- Aircraft cables and pendants mount directly to a standard junction box or structure
- Canopies and pendants match fixture finish, power cords are white, grey, or black depending on fixture finish. See Finish section for additional details.
- Must specify overall pendant length of 12", 18" or 24"
- Must specify cable length, either 48" or 120" standard, field adjustable
- Tie off fixture to structure with retention wires
- Maximum fixture weight is 15 lbs

AS4__JB 4 AC cables straight, fixture to J-Box	AC4__JB 4 AC cables, center mount, fixture to J-Box	AH4__JB 4 AC cables with hub, fixture to J-Box	PP__JB Pendant Pipe to J-Box	S Surface Mount Ceiling
AS4__ST 4 AC cables straight, fixture to Structure	AC4__ST 4 AC cables, center mount, fixture to Structure	AH4__ST 4 AC cables with hub, fixture to Structure	PS__JB Pendant Swivel to J-Box	WA Surface Mount Wall
			PP__ST Pendant Pipe to Structure	
			PS__ST Pendant Swivel to Structure	



Voltage

- Some LiFT configurations will not accommodate all voltage options; consult with factory

U	Universal
1	120 volt
2	277 volt
3	347 volt

Driver

- Standard Driver Option = FSD
- Driver Lifetime: 50,000 hours at 25°C ambient operating conditions
- For more Driver options, see Pinnacle Resource Guide on download pages at pinnacle-ltg.com
- Some LiFT configurations will not accommodate all driver options; consult with factory

0-10V Drivers

FSD	Factory Select Driver 1%, 0-10v
OL2	Osram Optotronic, 1%, 0-10v
OL4	Osram Optotronic 347v, 1% 0-10v, requires 347v option
EE1	eldoLED ECOdrive 1%, 0-10v Logarithmic
EE2	eldoLED ECOdrive 1%, 0-10v Linear
ES1	eldoLED SOLOdrive 0-10v, 0% Logarithmic
ES2	eldoLED SOLOdrive 0-10v, 0% Linear

DALI Drivers

EE3	eldoLED SOLOdrive .1%, DALI (logarithmic)
EE4	eldoLED SOLOdrive .1%, DALI (linear)

Lutron Drivers

LH1	Lutron Hi-lume Soft-on, Fade-to-black 1%, EcoSystem, LDE1
LH4	Lutron Hi-Lume 1%, 2-wire, Lutron-LTEA2W, 120v only



Circuiting

- Select fixture circuiting from options below
- Some LIFT configurations will not accommodate all circuiting options; consult with factory

1	Single Circuit
E	Emergency Circuit only
N	Night Light Circuit only

Battery & Emergency

- Select battery or emergency options if required
- Battery duration is 90 minutes
- Test button is integral to fixture
- For more Battery options, see Pinnacle Resource Guide on download pages at pinnacle-ltg.com

0	No Battery
1IRC	Iota 10w Remote
1IRH	Iota 20w Remote
1PRL	Bodine 7w Remote
1PRS	Bodine 7w Remote, Self Testing
1PRD	Bodine 10w Remote, Dual Flex
1PRH	Bodine 20w Remote
FSG	Factory Select Automatic Load Control Relay (ALCR)
GI	Emergency Transfer Switch (ETS) DR Emergency Control Device
GB	Bodine GTD, Generator Transfer Device

For Approximate Battery Lumen Output

- Multiply battery wattage X fixture LPW shown on Lumen Table
- 10 (watts) x 92.3 (LPW) = 923 battery lumen output

Battery & Emergency Ordering Examples

- Single circuit, 10w integral battery Ordering Code: 1-1P
- Emergency circuit only, 10w integral battery Ordering Code: E-1P

Finish

- Standard powder-coat textured white, metallic silver, textured black, graphite or bronze painted finish; consult factory for chip of standard paint finishes
- Selecting a fixture finish other than white may impact lumen output; consult factory for more information

W	White <i>(white cord/white canopy)</i>
S	Metallic Silver <i>(grey cord/silver canopy)</i>
BL	Textured Black <i>(black cord/black canopy)</i>
BR	Bronze <i>(white cord/bronze canopy)</i>
GR	Graphite <i>(white cord/graphite canopy)</i>
CC	Custom Color <i>(white cord/color match canopy)</i>

Fixture Options

- Additional options to enhance the fixture and finish of the product

AM	Antimicrobial Paint
DSP	Customer Supplied Battery/Driver/Sensor
GMF	Internal Slow Blow Fuse

Controls

- Pinnacle Lighting offers easy to specify network control solutions that connect to an intelligent centralized system to maximize lighting energy efficiencies or integral sensors for individual fixture control
- Pinnacle Lighting fixtures ship technology ready; commissioning by others
- Controls can only be used with Single Circuit (1) or Emergency Circuit (E)
- Contact factory for any non-standard configurations for layout, placement, or EM options
- One sensor per housing typical, contact factory for more information

	Solution	Components	Network/Sensor	Connection	RQD Drivers	Limitation
DLMFC	Legrand Wattstopper DLM	LMFC-011	Digital Lighting Management (DLM)	Wired, two RJ45 ports	OL2, OL4	None
ENLI	Enlighted IOT	CU-4E	Enlighted, Remote	Enlighted Cable	Any 0-10v	Not available with 347 volt
ENLC	Enlighted Connected Lighting	CU-4E	Enlighted, Remote	Enlighted Cable	Any 0-10v	Not available with 347 volt

Specifications and dimensions subject to change without notice. Specification sheets that appear on pinnacle-ltg.com are the most recent version and supersede all other previously printed or electronic versions.

Designed in Denver, CO • USA | pinnacle-ltg.com | O: 303-322-5570 F: 303-322-5568

LF11D_SUSPENDED_SPEC_JUNE2022



Approvals & Certifications

Construction: Formed 20 gauge cold rolled steel housing. Highly reflective die-formed white painted reflector. Wiring access available on top of housing. Lens is removable for room-side maintenance of lens, driver and LED boards.

Shielding: Single piece fabricated diffuse acrylic lens creating a fully luminous fixture.

Mounting: Aircraft cable, Pendant, Surface and Wall mount available. Aircraft Cable and pendant supplied with 5" (127mm) canopies. Refer to installation instructions for appropriate ceiling detail. Maximum fixture weight is 15lbs.

LED: 25°C test environment. Lumen output/wattage has a margin of +/- 5%. All luminaire configurations tested in accordance with IES LM-79. Diodes tested in accordance with IES LM-80. Lifetime calculated using IES TM-21. Minimum lifetime greater than 60,000 hours. L70 = 146,500 hours and L90 = 45,000 hours. MacAdam 3-Step Ellipses. Not all products are Lighting Facts listed. For all available IES files, please visit our website at pinnacle-ltg.com.

Color & Lumen Output: Three lumen packages available. Low (LO), Middle (MO) and High (HO). Custom outputs are available. Specify custom lumens or watts between standard offering listed on CRI, CCT & Output page. 80 CRI is available for 3000K, 3500K, and 4000K. 90 CRI is available for 2700K, 3000K, 3500K, and 4000K. 80 CRI = R9≥19 and 90 CRI = R9≥61.

Voltage: Universal (U), 120 volt (1), 277 volt (2) and 347 volt (3) options available. Must specify OL4 in Driver section when 347 volt (3) is selected. Some LiFT configurations will not accommodate all voltage options; consult with factory.

Driver: Standard Driver Option is Advance 0-10V, 1% = PL2. Electronic driver, Power factor is >0.9 with a THD <20%. Driver Lifetime: 50,000 hours at 25°C ambient operating conditions. For more driver options, see Pinnacle Resource Guide on download pages at

pinnacle-ltg.com. Some LiFT configurations will not accommodate all driver options.

Circuiting: Select from single circuit (1), Emergency circuit (E) or Night Light circuit (N). Some LiFT configurations will not accommodate all circuiting options; consult with factory.

Battery & Emergency: Select battery or emergency options if required. If battery or emergency option is not required, enter 0. Battery duration is 90 minutes as standard. Test button is integral to fixture. For more Battery options, see Pinnacle Resource Guide on download pages at pinnacle-ltg.com.

Finish: Standard powder-coat textured white, metallic silver, textured black, graphite, or bronze painted finish, consult factory for chip of standard paint finishes. Contact factory for additional custom color and finish options.

Controls: DLM utilizes wired network connections for digital control through switching and dimming with 0-10v LED drivers. Enlighted Smart Sensor provides multi-functionality including daylight harvesting and PIR occupancy; for IOT platform using 0-10v LED drivers. Enlighted Smart Sensor provides multi-functionality including daylight harvesting and PIR occupancy; for Connected platform using 0-10v LED drivers.

Labels: ETL Listed conforming to UL1598 in US and CSA 250 in Canada. Approved for dry/damp location unless otherwise noted.

Fixture Weight: 15 lbs maximum.

Buy American Act Compliant

Warranty: LiFT LED offered with a 5-year limited warranty. Covers LED, driver and fixture.