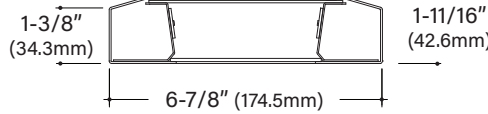




# LINERO L6DI-A

Single Source Linear



## Key Features

- One piece die-formed 18 gauge steel housing
- Highly reflective die-formed white painted steel reflector
- Die-cast aluminum end caps
- LINERO offered with a 5-year limited warranty that covers LED, driver and fixture
- UL and cUL Listed
- Approved for dry/damp location
- Maximum fixture weight is 17 lbs per standard 4' fixture
- Room-Side Maintenance for LED system
- Buy American Act compliant



Example Part #: L6DI-A-70-835HO-26'-AC48G1-U-OL2-1-0-W

## L6DI-A

HOUSING - DISTRIBUTION - CRI, CCT & OUTPUT - LENGTH - MOUNTING - VOLTAGE - DRIVER - CIRCUITING - BATTERY & EMERGENCY - FINISH - FIXTURE OPTIONS - CONTROLS

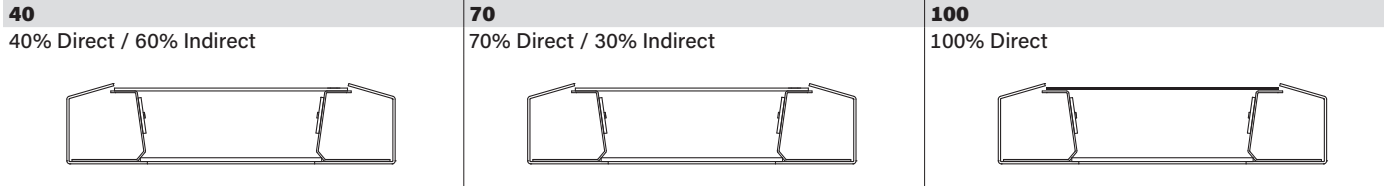
L6DI-A	---	-----	-----
HOUSING	DISTRIBUTION	CRI, CCT & OUTPUT <sup>QS</sup> <sub>1</sub>	LENGTH <sup>2</sup>
<b>L6DI-A</b> - LINERO 6 with Satine Lens <sup>QS</sup> <i>Shielding pg. 2</i>	<b>40</b> - 40% Direct / 60% Indirect <sup>QS</sup> <b>70</b> - 70% Direct / 30% Indirect <sup>QS</sup> <b>100</b> - 100% Direct <sup>QS</sup> <i>Shielding pg. 2</i>	<b>27</b> - 2700K <b>30</b> - 3000K <b>35</b> - 3500K (available with BIOS) <b>40</b> - 4000K (available with BIOS) <b>CL</b> - Custom Lumens <b>CW</b> - Custom Watts <i>Lumen Output pg. 2-5</i>	-- - Individual Fixture <sup>QS</sup> -- - Continuous Row <sup>QS</sup> <i>Length pg. 5</i>
---	---	---	---
MOUNTING <sup>3</sup>	VOLTAGE	DRIVER	CIRCUITING
<b>AC_G</b> - AC to Grid <sup>QS</sup> <b>AC_JB</b> - AC to J Box <sup>QS</sup> <b>AC_ST</b> - AC to Structure <sup>QS</sup> <b>AC5_G</b> - 5" Non-Power Canopy <b>AC5_JB</b> - 5" Non-Power Canopy <b>SQ_G</b> - 5" Square Canopy <b>SQ_JB</b> - 5" Square Canopy <b>WA</b> - Wall Mount <i>Mounting pg. 5</i>	<b>U</b> - Universal <sup>QS</sup> <i>(120 thru 277V)</i> <b>1</b> - 120V <sup>QS</sup> <b>2</b> - 277V <sup>QS</sup> <b>3</b> - 347V <i>Voltage pg. 6</i>	<b>FSD</b> - Factory Select Driver (1%, 0-10v) <sup>QS</sup> <b>PL2</b> - Advance Xitanium (0-10v, 1%) <sup>QS</sup> <b>OL5</b> - Osram (1%, 0-10v, AUX) <b>OD1</b> - Osram (1%, 0-10v, DEXAL) <b>EE1</b> - eldoLED ECOdrive (1%, 0-10v) <b>ES1</b> - eldoLED SOLOdrive (0%, 0-10v) <b>LH1</b> - Lutron Hi-lume (1%, EcoSystem) <sup>QS</sup> <b>OL2</b> - Osram (1%, 0-10v) <sup>QS</sup> <i>Driver pg. 6</i>	<b>1</b> - Single Circuit <sup>QS</sup> <b>M</b> - Multi Circuit <b>E</b> - Emergency <sup>QS</sup> <i>(entire fixture)</i> <b>N</b> - Night Light <sup>QS</sup> <i>(entire fixture)</i> <i>Circuiting pg. 6</i>
---	---	---	---
BATTERY & EMERGENCY <sup>4</sup>	FINISH	FIXTURE OPTIONS <sup>5</sup>	CONTROLS <sup>6</sup>
<b>0</b> - None <sup>QS</sup> <b>_FSG</b> - Factory Select ALCR <b>_GI</b> - Iota ETS DR <b>_GB</b> - Bodine GTD <b>_E</b> - Emergency circuit section <b>_N</b> - Night Light circuit section <b>_L</b> - Life Safety circuit section <b>_ILL</b> - Iota 10w Integral <b>_PLL</b> - Bodine 10w Integral Lithium <i>Battery and Emergency pg. 6</i>	<b>W</b> - White <sup>QS</sup> <b>S</b> - Metallic Silver <b>BL</b> - Textured Black <b>BR</b> - Bronze <b>GR</b> - Graphite <b>CC</b> - Custom Color <i>Finish pg. 7</i>	<b>QS</b> - QuickShip <sup>QS</sup> <i>Fixture Options pg. 7</i>	<b>DLMFC</b> - Wattstopper DLM (wired) <b>EASYS</b> - Philips EasySense (wireless) <b>SNSLM</b> - Encelium Sensilum (wireless) <b>WVLX</b> - Eaton zWaveLinX (wireless) <b>VDO</b> - Lutron Vive Sensor (wireless) <b>VRF</b> - Lutron Vive Connected (wireless) <b>ENL</b> - Enlighted (wireless) <i>Controls pg. 7</i>

<sup>1</sup>When specifying SOURCE the first \_\_\_ is for specifying either **B** - 80CRI, **9** - 90CRI or **B** - BIOS. The ending \_\_\_ are for specifying output, example **HO** - High Output. When specifying BIOS use **B** and then specify color temperature, either 3500K or 4000K, and output, example **B35HO** - BIOS 3500K High Output. See output charts for more information. BIOS dynamic available, please contact factory for more information. For QuickShip CRI, CCT & Output see chart on page 7 <sup>2</sup>Individual fixtures come in 4', 6' & 8' lengths. Continuous rows available in 2' increments, starting at 4'. <sup>3</sup>Specify AC Cable length, standard AC is 48"; Specify grid: G1=15/16", G9=9/16", GS=Screw Slot. Example AC48G1. <sup>4</sup>Enter quantity for Battery and Emergency, Example 2PL. <sup>5</sup>QS must be used in fixture options section of part number to qualify. 1/8" increments not available for QS. <sup>6</sup>Controls can only be used with Single Circuit (1) or Emergency Circuit (E). See Controls chart on page 6 for driver options and more information.

Specifications and dimensions subject to change without notice. Specification sheets that appear on pinnacle-ltg.com are the most recent version and supersede all other previously printed or electronic versions.



## Distribution



## 40% Direct Source: Static White

- Specify either 80 or 90 CRI
- Longer lead-time may apply for 90 CRI. Consult factory
- 80 CRI = R9≥19 and 90 CRI = R9≥61

## Custom Output- Lumens OR Wattage

<b>CL</b> _____	Specify CRI, CCT and desired lumens (i.e. CL835950)	<i>Specify lumens between standard offering listed below. Lumens are specified per color temp</i>
<b>CW</b> _____	Specify CRI, CCT and desired wattage (i.e. CW9409.5)	<i>Specify watts between standard offering listed below</i>

### 80 CRI

	Color	Lumens <i>per foot</i>	Shielding	
			A Satine Watts/ft	LPW
<b>830LO</b>	3000K	400	2.8	144.7
<b>830</b>	3000K	600	4.0	150.4
<b>830HO</b>	3000K	850	5.7	149.1
<b>830VHO</b>	3000K	1250	8.4	148.7
<b>835LO</b>	3500K	400	2.7	149.7
<b>835</b>	3500K	600	3.9	155.7
<b>835HO</b>	3500K	850	5.5	154.4
<b>835VHO</b>	3500K	1250	8.1	154.0
<b>840LO</b>	4000K	400	2.7	150.4
<b>840</b>	4000K	600	3.8	156.3
<b>840HO</b>	4000K	850	5.5	155.1
<b>840VHO</b>	4000K	1250	8.1	154.7

### 90 CRI

<b>927LO</b>	2700K	400	3.4	118.3
<b>927</b>	2700K	600	4.9	125.2
<b>927HO</b>	2700K	850	6.8	125.3
<b>927VHO</b>	2700K	1250	10.1	123.4
<b>930LO</b>	3000K	400	3.3	121.1
<b>930</b>	3000K	600	4.6	129.4
<b>930HO</b>	3000K	850	6.6	129.6
<b>930VHO</b>	3000K	1250	9.8	127.7
<b>935LO</b>	3500K	400	3.2	123.7
<b>935</b>	3500K	600	4.5	132.2
<b>935HO</b>	3500K	850	6.4	132.4
<b>935VHO</b>	3500K	1250	9.6	130.5
<b>940LO</b>	4000K	400	3.3	122.8
<b>940</b>	4000K	600	4.6	131.2
<b>940HO</b>	4000K	850	6.5	131.4
<b>940VHO</b>	4000K	1250	9.7	129.5

<sup>1</sup>LPW and watts/ft based off 96" fixture size.

Specifications and dimensions subject to change without notice. Specification sheets that appear on pinnacle-ltg.com are the most recent version and supersede all other previously printed or electronic versions.



## 40% Direct Source: BIOS<sup>1</sup>

- CRI >84, R9 >90
- Spectrum focused lighting for circadian stimulus
- High EML or M/P ratio: .8 for 3500K, .9 for 4000K
- COI: ≤3.3
- Available for use with most Driver or Control options

## Custom Output- Lumens OR Wattage

<b>CLB</b> _____	Specify CRI, CCT and desired lumens (i.e. CL835950)	<i>Specify lumens between standard offering listed below. Lumens are specified per color temp</i>
<b>CWB</b> _____	Specify CRI, CCT and desired wattage (i.e. CW9409.5)	<i>Specify watts between standard offering listed below</i>

## 80 CRI

	Color	Lumens <i>per foot</i>	Shielding <b>A</b> Satine	
			Watts/ft	LPW
<b>835LO</b>	3500K	400	4.5	89.6
<b>835</b>	3500K	600	6.7	88.9
<b>835HO</b>	3500K	850	9.8	86.7
<b>835VHO</b>	3500K	1250	15.0	83.1
<b>840LO</b>	4000K	400	4.3	92.0
<b>840</b>	4000K	600	6.6	91.3
<b>840HO</b>	4000K	850	9.5	89.1
<b>840VHO</b>	4000K	1250	14.6	85.4

## 70% Direct Source: Static White<sup>1</sup>

## Custom Output- Lumens OR Wattage

<b>CL</b> _____	Specify CRI, CCT and desired lumens (i.e. CL835950)	<i>Specify lumens between standard offering listed below. Lumens are specified per color temp</i>
<b>CW</b> _____	Specify CRI, CCT and desired wattage (i.e. CW9409.5)	<i>Specify watts between standard offering listed below</i>

## 80 CRI

	Color	Lumens <i>per foot</i>	Shielding <b>A</b> Satine	
			Watts/ft	LPW
<b>830LO</b>	3000K	400	3.6	111.6
<b>830</b>	3000K	600	5.4	111.7
<b>830HO</b>	3000K	850	7.6	111.6
<b>830VHO</b>	3000K	1250	11.6	108.1
<b>835LO</b>	3500K	400	3.5	115.5
<b>835</b>	3500K	600	5.2	115.7
<b>835HO</b>	3500K	850	7.4	115.6
<b>835VHO</b>	3500K	1250	11.2	112.1
<b>840LO</b>	4000K	400	3.4	116.0
<b>840</b>	4000K	600	5.2	116.0
<b>840HO</b>	4000K	850	7.3	116.1
<b>840VHO</b>	4000K	1250	11.1	112.6

## 90 CRI

<b>927LO</b>	2700K	400	4.3	93.8
<b>927</b>	2700K	600	6.4	93.9
<b>927HO</b>	2700K	850	9.2	92.7
<b>927VHO</b>	2700K	1250	13.8	90.5
<b>930LO</b>	3000K	400	4.1	97.0
<b>930</b>	3000K	600	6.2	96.8
<b>930HO</b>	3000K	850	8.9	95.9
<b>930VHO</b>	3000K	1250	13.3	93.7
<b>935LO</b>	3500K	400	4.0	99.3
<b>935</b>	3500K	600	6.1	98.9
<b>935HO</b>	3500K	850	8.7	98.0
<b>935VHO</b>	3500K	1250	13.1	95.8
<b>940LO</b>	4000K	400	4.1	98.4
<b>940</b>	4000K	600	6.1	98.2
<b>940HO</b>	4000K	850	8.7	97.3
<b>940VHO</b>	4000K	1250	13.2	95.0

<sup>1</sup>LPW and watts/ft based off 96" fixture size.



70% Direct Source: BIOS<sup>1</sup>

Custom Output- Lumens OR Wattage

<b>CLB</b> _____	Specify CRI, CCT and desired lumens (i.e. CL835950)	<i>Specify lumens between standard offering listed below. Lumens are specified per color temp</i>
<b>CWB</b> _____	Specify CRI, CCT and desired wattage (i.e. CW9409.5)	<i>Specify watts between standard offering listed below</i>

80 CRI

	Color	Lumens <i>per foot</i>	Shielding <b>A</b>	
			Satine <i>Watts/ft</i>	<i>LPW</i>
<b>835LO</b>	3500K	400	5.4	73.5
<b>835</b>	3500K	600	8.3	72.0
<b>835HO</b>	3500K	850	12.0	70.6
<b>835VHO</b>	3500K	1250	18.9	66.0
<b>840LO</b>	4000K	400	5.3	75.5
<b>840</b>	4000K	600	8.1	73.9
<b>840HO</b>	4000K	850	11.7	72.5
<b>840VHO</b>	4000K	1250	18.4	67.9

100% Direct Output

Custom Output- Lumens OR Wattage

<b>CL</b> _____	Specify CRI, CCT and desired lumens (i.e. CL835950)	<i>Specify lumens between standard offering listed below. Lumens are specified per color temp</i>
<b>CW</b> _____	Specify CRI, CCT and desired wattage (i.e. CW9409.5)	<i>Specify watts between standard offering listed below</i>

80 CRI

	Color	Lumens <i>per foot</i>	Shielding <b>A</b>	
			Satine <i>Watts/ft</i>	<i>LPW</i>
<b>830LO</b>	3000K	400	3.6	111.1
<b>830</b>	3000K	600	5.4	111.2
<b>830HO</b>	3000K	850	7.6	111.1
<b>830VHO</b>	3000K	1250	11.6	107.6
<b>835LO</b>	3500K	400	3.5	115.0
<b>835</b>	3500K	600	5.2	115.1
<b>835HO</b>	3500K	850	7.4	115.1
<b>835VHO</b>	3500K	1250	11.2	111.6
<b>840LO</b>	4000K	400	3.5	115.5
<b>840</b>	4000K	600	5.2	115.6
<b>840HO</b>	4000K	850	7.4	115.6
<b>840VHO</b>	4000K	1250	11.2	112.0

90 CRI

	Color	Lumens	Shielding <b>A</b>	
			Satine <i>Watts/ft</i>	<i>LPW</i>
<b>927LO</b>	2700K	400	4.3	93.4
<b>927</b>	2700K	600	6.4	93.4
<b>927HO</b>	2700K	850	9.2	92.3
<b>927VHO</b>	2700K	1250	13.9	90.0
<b>930LO</b>	3000K	400	4.1	96.6
<b>930</b>	3000K	600	6.2	96.3
<b>930HO</b>	3000K	850	8.9	95.5
<b>930VHO</b>	3000K	1250	13.4	93.2
<b>935LO</b>	3500K	400	4.0	98.8
<b>935</b>	3500K	600	6.1	98.4
<b>935HO</b>	3500K	850	8.7	97.6
<b>935VHO</b>	3500K	1250	13.1	95.3
<b>940LO</b>	4000K	400	4.1	97.9
<b>940</b>	4000K	600	6.1	97.7
<b>940HO</b>	4000K	850	8.8	96.9
<b>940VHO</b>	4000K	1250	13.2	94.6

<sup>1</sup>LPW and watts/ft based off 96" fixture size.

Specifications and dimensions subject to change without notice. Specification sheets that appear on pinnacle-ltg.com are the most recent version and supersede all other previously printed or electronic versions.



100% Direct Source: BIOS<sup>1</sup>

## Custom Output- Lumens OR Wattage

<b>CLB</b> _____	Specify CRI, CCT and desired lumens (i.e. CL835950)	<i>Specify lumens between standard offering listed below. Lumens are specified per color temp</i>
<b>CWB</b> _____	Specify CRI, CCT and desired wattage (i.e. CW9409.5)	<i>Specify watts between standard offering listed below</i>

## 80 CRI

	Color	Lumens <i>per foot</i>	Shielding <b>A</b>	
			Satine <i>Watts/ft</i>	LPW
<b>835LO</b>	3500K	400	5.4	73.7
<b>835</b>	3500K	600	8.3	72.2
<b>835HO</b>	3500K	850	12.0	70.8
<b>835VHO</b>	3500K	1250	18.9	66.3
<b>840LO</b>	4000K	400	5.3	75.7
<b>840</b>	4000K	600	8.1	74.1
<b>840HO</b>	4000K	850	11.9	71.7
<b>840VHO</b>	4000K	1250	18.4	68.1

<sup>1</sup>LPW and watts/ft based off 96" fixture size.

## Length

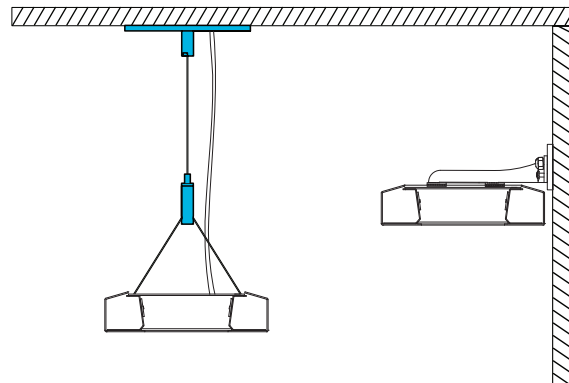
- All individual units cannot be joined, end caps are factory installed and cannot be removed
- Add 3/8" for each end cap or 3/4" to the overall length of the row
- Aperture sizes vary, 4' fixtures have a single 45-7/16" long aperture, 6' fixtures have two 33-11/16" long apertures, and 8' fixtures have two 45-7/16" long apertures

4	6	8	-
Individual Fixture	Individual Fixture	Individual Fixture	Continuous Run
48" (1,219mm)	72" (1,829mm)	96" (2,438mm)	<i>Continuous rows available in 2' increments, starting at 4'</i>
Specify to the 2', starting at 4' >>>			

## Mounting

- Specify cable length in ordering code (AC48G1)
- Standard adjustable cable. Specify 48", 120", 240" or 350"
- Adjustable aircraft cable mounts on 4'-0" (1,219mm), 6'-0" (1,829mm) or 8'-0" (3438.4mm) center
- End caps and standard white power cord attached at factory
- Aircraft Cable supplied with 5" (127mm) power and 2" (51mm) non-power canopies
- Canopies match fixture finish, power cords are white, grey, or black depending on fixture finish. See Finish section for additional details.
- Approved for dry/damp location unless otherwise noted
- Refer to installation instructions during installation at the job site
- Maximum fixture weight is 17 lbs. per 4' fixture

<b>AC_G1</b>	Adjustable AC to 1" (15/16") T-Bar
<b>AC_G9</b>	Adjustable AC to 9/16" T-Bar
<b>AC_GS</b>	Adjustable AC to Screw Slot T-Bar
<b>AC_JB</b>	Adjustable AC to Junction Box
<b>AC_ST</b>	Adjustable AC to Structure
<b>AC5_G</b>	5" (127mm) Non-Power Canopy
<b>AC5_JB</b>	5" (127mm) Non-Power Canopy
<b>SQ_G</b>	5" (127mm) Square Canopy
<b>SQ_JB</b>	5" (127mm) Square Canopy
<b>WA</b>	Wall Mount



Specifications and dimensions subject to change without notice. Specification sheets that appear on pinnacle-ltg.com are the most recent version and supersede all other previously printed or electronic versions.

Designed in Denver, CO • USA | pinnacle-ltg.com | O: 303-322-5570 F: 303-322-5568

L6DI\_LED\_SPEC\_MAY2022



## Voltage

- Some Linero configurations will not accommodate all voltage options; consult with factory

<b>U</b>	Universal
<b>1</b>	120 volt
<b>2</b>	277 volt
<b>3</b>	347 volt

## Driver

- Standard Driver Option = FSD
- Driver Lifetime: 50,000 hours at 25°C ambient operating conditions
- For more driver options see Pinnacle Resource Guide
- Some LINERO configurations will not accommodate all driver options; consult with factory

### 0-10V Drivers

<b>FSD</b>	Factory Select Driver (1%, 0-10v)
<b>PL2</b>	Signify Advance Xitanium 1%, 0-10v
<b>PL4</b>	Advance Xitanium 347v 1%, 0-10v, requires 347v
<b>OL2</b>	Osram Optotronic, 1%, 0-10v
<b>OL4</b>	Osram Optotronic 347v, 1% 0-10v, requires 347v option
<b>EE1</b>	eldoLED ECOdrive 1%, 0-10v Logarithmic
<b>EE2</b>	eldoLED ECOdrive 1%, 0-10v Linear
<b>ES1</b>	eldoLED SOLOdrive 0-10v, 0% Logarithmic
<b>ES2</b>	eldoLED SOLOdrive 0-10v, 0% Linear
<b>OL5</b>	Osram Optotronic 1%, 0-10v, AUX

### DALI Drivers

<b>EE3</b>	eldoLED SOLOdrive .1%, DALI (logarithmic)
<b>EE4</b>	eldoLED SOLOdrive .1%, DALI (linear)
<b>OD1</b>	Osram Optotronic 1%, DEXAL
<b>OD2</b>	Osram Optotronic 1%, DALI 2 Channel

### Lutron Drivers

<b>LH1</b>	Lutron Hi-lume Soft-on, Fade-to-black 1%, EcoSystem, LDE1
<b>LH4</b>	Lutron Hi-Lume 1%, 2-wire, Lutron-LTEA2W, 120v only

### Alternate Drivers

<b>PS1</b>	Signify Advance Xitanium Step Dimming 50%/100%
<b>PR1</b>	Philips Advance Xitanium SR, requires EASYS, VDO or VRF
<b>OD1</b>	Osram Optotronic 1%, DEXAL
<b>EH1</b>	ELV 120v only, 0-10v universal

## How to specify Circuiting, Battery and Emergency

- 1**
- Select fixture circuiting from options below
  - Some LINERO configurations will not accommodate all circuiting options, consult with factory

### Circuiting

<b>1</b>	Single Circuit
<b>M</b>	Multi Circuit
<b>E</b>	Emergency Circuit only
<b>N</b>	Night Light Circuit only

- 2** + **3**
- Battery and emergency section options are available in addition to fixture circuit
  - Select battery and emergency section options below; factory shop drawing required
  - Some LINERO configurations will not accommodate all circuiting options, consult with factory

### Battery and/or Emergency If Required

**0** No battery or specific emergency section required

### Battery

- Select battery section type if required, indicate total QTY. *Example 2PL*
- 90 minute battery runtime; test button is integral to fixture
- For more battery options available, see Pinnacle Resource Guide

<b>0</b>	No Battery
<b>_ILL</b>	Iota 10w Integral Lithium, Self Testing
<b>_IRC</b>	Iota 10w Remote
<b>_PLL</b>	Bodine 10w Integral Lithium, Self Testing
<b>_PRH</b>	Bodine 20w Remote

**For Approximate Battery Lumen Output**

- Multiply battery wattage X fixture LPW shown on Lumen Table
- 92.3 (LPW) x 10 (watts) = 923 battery lumen output

Specifications and dimensions subject to change without notice. Specification sheets that appear on pinnacle-ltg.com are the most recent version and supersede all other previously printed or electronic versions.



## Emergency

- Select emergency section type if required, indicate total QTY. *Example 1E*
- Combine battery and emergency section ordering codes if both options are selected

<b>_FSG</b>	Factory Select ALCR, Automatic Load Control Relay
<b>_GI</b>	Iota ETS DR, Emergency Lighting Control Device
<b>_GB</b>	Bodine GTD, Emergency Lighting Control Device
<b>_E</b>	Emergency circuit section
<b>_N</b>	Night Light circuit section
<b>_L</b>	Life Safety circuit section NO THROUGH WIRE

### Combination Section Ordering Examples

- Single circuit, (1) 10w battery, (1) emergency section  
Ordering Code: 1-1PL1E
- Multi circuit, (2) 10w battery, (2) emergency sections  
Ordering Code: M-2PL2E
- Single circuit, (1) night light section  
Ordering Code: 1-1N

### Battery OR Emergency Ordering Examples

- Single circuit, 10w Integral Battery      Ordering Code: 1-1PL
- Emergency only, 10w Integral Battery      Ordering Code: E-1PL
- Single circuit, GTD required                  Ordering Code: 1-1G

## Finish

- Standard powder-coat textured white, metallic silver, textured black, graphite or bronze painted finish; consult factory for chip of standard paint finishes
- Selecting a fixture finish other than white may impact lumen output; consult factory for more information

<b>W</b>	White ( <i>white cord/white canopy</i> )
<b>S</b>	Metallic Silver ( <i>grey cord/silver canopy</i> )
<b>BL</b>	Textured Black ( <i>black cord/black canopy</i> )
<b>BR</b>	Bronze ( <i>white cord/bronze canopy</i> )
<b>GR</b>	Graphite ( <i>white cord/graphite canopy</i> )
<b>CC</b>	Custom Color ( <i>white cord/color match canopy</i> )

## Fixture Options

- Additional options to enhance the fixture and finish of the product

**QS** Quick Ship

### Quick Ship

Distribution	CRI, CCT & Output	Mounting	Voltage	Driver	Circuiting	Battery	Finish	
<b>10-Day</b>								
<b>40</b>	40% Direct	80 CRI, All color temperatures, all lumen packages including custom <i>See pg 2-3</i>	<b>AC__GX</b> Grid	<b>U</b> Universal <i>(120 thru 277)</i> <b>1</b> 120 V <b>2</b> 277V	<b>FSD</b> Factory Select Driver <i>(1%, 0-10v)</i>	<b>1</b> Single Circuit <b>E</b> Emergency <b>N</b> Night Light	<b>1PL</b> Bodine 10w Integral <i>(low profile)</i>	<b>W</b> White
<b>70</b>	70% Direct		<b>AC__JB</b> Junction Box		<b>PL2</b> Advance Xitanium 0-10v, 1%			
<b>100</b>	100% Direct		<b>AC__ST</b> Structure		<b>LH1</b> Lutron LDE1 <b>OL2</b> Osram 0-10v, 1%			

All lengths and continuous rows up to 1,000 ft OR 150 individual fixtures. Consult factory for larger projects.

## Controls

- Pinnacle Lighting offers easy to specify network control solutions that connect to an intelligent centralized system to maximize lighting energy efficiencies or integral sensors for individual fixture control
- Pinnacle Lighting fixtures ship technology ready; commissioning by others
- Controls can only be used with Single Circuit (1) or Emergency Circuit (E)
- Contact factory for any non-standard configurations for layout, placement, or EM options
- One drop per sensor typical, consult factory for more information

	Solution	Components	Network/Sensor	Connection	Required Drivers	Limitations
<b>DLMFC</b>	Legrand Wattstopper DLM	LMFC-011	Digital Lighting Management (DLM)	Wired, one RJ45 ports	OL2, OL4	Not available with Battery
<b>EASYS</b>	Philips EasySense	SNS-210	Daylight/PIR Occupancy	Wireless to switches	PR1	Not available with 347 volt
<b>SNSLM</b>	Encelium Sensilum	EN-CLM-PIR-DD-ZB	Encelium, Daylight/PIR Occupancy	Wireless	OD1, OL5	Not available with 347 volt
<b>WLWX</b>	Eaton WaveLinx	SWPDI, MSP3IVMVDC1	WaveLinx WCL, Daylight	Wireless	Any 0-10v	Not available with 347 volt
<b>VDO</b>	Lutron Vive Sensor	DFCSJ-OEM-OCC	Vive, Daylight/PIR Occupancy	Wireless	OD1, PR1	Not available with 347 volt
<b>VRF</b>	Lutron Vive Connected	DFCSJ-OEM-RF	Vive	Wireless	OD1, PR1	Not available with 347 volt
<b>ENLI</b>	Enlighted IOT	SU-5E-IOT, CU-4E	Enlighted, Daylight/PIR Occupancy	Wireless	Any 0-10v	Not available with 347 volt
<b>ENLC</b>	Enlighted Connected Lighting	SU-5E-CL, CU-4E	Enlighted, Daylight/PIR Occupancy	Wireless	Any 0-10v	Not available with 347 volt

Specifications and dimensions subject to change without notice. Specification sheets that appear on pinnacle-ltg.com are the most recent version and supersede all other previously printed or electronic versions.

Designed in Denver, CO • USA | pinnacle-ltg.com | O: 303-322-5570 F: 303-322-5568

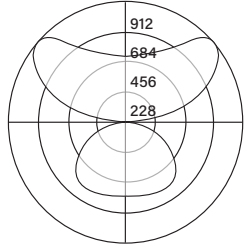
L6DI\_LED\_SPEC\_MAY2022



**Photometrics**

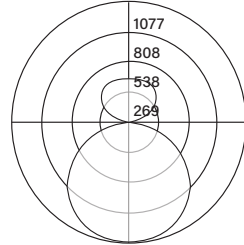
**Satine Lens 40% Direct**

Test #	ITL93486-GONIOPHOTOMETRY
Catalog #	L6DI-A-40-840VHO-4
Lumens	5567
Watts	36.7
Efficacy	151.7



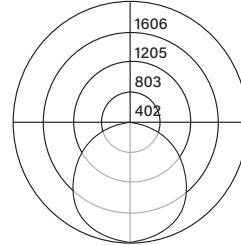
**Satine Lens 70% Direct**

Test #	ITL90506-GONIOPHOTOMETRY
Catalog #	L6DI-A-70-840VHO-4
Lumens	4865
Watts	47.2
Efficacy	103.1



**Satine Lens 100% Direct**

Test #	ITL90505-GONIOPHOTOMETRY
Catalog #	L6D-A-100-840VHO-4
Lumens	4504
Watts	43.4
Efficacy	103.8



**Candela Distribution**

Vert Angle	Horizontal Angle				
	0	22.5	45	67.5	90
0	733	733	733	733	733
5	731	732	734	736	737
15	717	720	740	757	760
25	683	691	735	771	783
35	621	637	697	745	762
45	532	553	614	661	678
55	419	437	485	523	539
65	288	300	330	355	364
75	149	156	169	180	186
85	32	34	36	37	39
90	0	0	0	0	0
95	74	73	74	76	78
105	199	206	258	315	321
115	297	337	535	688	700
125	376	444	713	924	965
135	448	513	754	981	1048
145	514	558	721	907	976
155	573	592	670	763	805
165	615	618	641	665	675
175	638	638	640	641	642
180	641	641	641	641	641

**Candela Distribution**

Vert Angle	Horizontal Angle				
	0	22.5	45	67.5	90
0	1077	1077	1077	1077	1077
5	1073	1074	1074	1075	1076
15	1043	1040	1054	1063	1063
25	975	972	1001	1021	1027
35	869	872	910	937	946
45	731	738	774	802	813
55	566	573	603	625	632
65	386	391	408	423	430
75	200	203	211	217	219
85	45	46	47	49	48
90	0	0	0	0	0
95	12	15	13	13	13
105	62	65	67	67	70
115	165	173	185	191	200
125	268	306	356	386	399
135	336	392	470	520	537
145	375	426	513	567	586
155	393	423	497	543	559
165	394	404	441	471	482
175	389	389	392	397	398
180	388	388	388	388	388

**Candela Distribution**

Vert Angle	Horizontal Angle				
	0	22.5	45	67.5	90
0	1606	1606	1606	1606	1606
5	1599	1598	1599	1599	1600
15	1541	1532	1547	1554	1552
25	1418	1410	1436	1453	1454
35	1241	1241	1274	1296	1301
45	1027	1030	1063	1086	1095
55	786	791	816	835	845
65	530	534	549	564	570
75	273	275	281	288	292
85	61	61	62	63	62
90	0	0	0	0	0

**Luminance Data (cd/sq.m)**

Angle In Degrees	Average		
	0-Deg	45-Deg	90-Deg
45	11079	11467	11812
55	10453	10852	11237
65	9566	9909	10288
75	8046	8281	8606
85	5339	5426	5426

**Luminance Data (cd/sq.m)**

Angle In Degrees	Average		
	0-Deg	45-Deg	90-Deg
45	7336	8467	9349
55	7123	8245	9163
65	6645	7614	8398
75	5613	6367	7007
85	3580	4028	4363

**Luminance Data (cd/sq.m)**

Angle In Degrees	Average		
	0-Deg	45-Deg	90-Deg
45	10368	10978	11531
55	9897	10544	11051
65	9160	9682	10204
75	7750	8176	8486
85	5178	5408	5523

For all available IES files, please visit our website at [pinnacle-ltg.com](http://pinnacle-ltg.com). Photometry testing in accordance to IESNA-LM-79-08 at an NVLAP accredited testing laboratory. Testing conducted at 25°C ambient conditions





## Approvals & Certifications

**Construction:** One piece die-formed 18 gauge steel housing in a 6-7/8" (174mm) by 1-11/16" (42mm) profile with a 1-3/8" (34mm) side profile. Standard 4'-0" (1,219mm), 6'-0" (1,828mm) and 8'-0" (3,438mm) fixtures can be joined to create continuous runs. Standard high reflectance die-formed white painted aluminum.

**Shielding:** Direct: white satine lens with matte finish. Indirect: 40/60 distribution uses a batwing diffuser, 70/30 distribution uses a perforated reflector and clear dust guard, 100 direct distribution uses a steel top cover. 4' fixtures have a single 45-7/16" long aperture, 6' fixtures have two 33-11/16" long apertures, and 8' fixtures have two 45-7/16" long apertures.

**Mounting:** Adjustable aircraft cable, or wall mounts available. Air Craft Cable mounts on 4'-0" (1,219mm), 6'-0" (1,828mm) and 8'-0" (3,438mm) centers. Refer to installation instructions for appropriate ceiling detail. Maximum fixture weight is 17 lbs. per 4' fixture.

**LED:** 25°C test environment. Lumen output/wattage has a margin of +/- 5%. All luminaire configurations tested in accordance with IES LM-79. Diodes tested in accordance with IES LM-80. Lifetime calculated using IES TM-21. Minimum lifetime greater than 60,000 hours. Lifetime Projection for 40%, 70% and 100%: L70 lifetime - 130,000 hours and L90 lifetime - 39,000 hours. MacAdam 3-Step Ellipses. For all available IES files, please visit our website at [pinnacle-ltg.com](http://pinnacle-ltg.com).

**BIOS LED:** Spectrum focused lighting for circadian stimulus. EML or M/P ratio: .8 for 3500K, .9 for 4000K. COI >3.0. Not all lumen packages available. Two lumen packages available. Standard, and High (HO). Custom outputs are available. Specify custom lumens or watts between standard offering listed on CRI, CCT & Output page.

**CRI, CCT & Lumen Output:** Two lumen packages available. Standard and High (HO). Custom outputs are available. Specify custom lumens or watts between standard offering listed on CRI, CCT & Output page. 80 CRI is available for 3000K, 3500K, and 4000K. 90 CRI is available for 2700K, 3000K, 3500K, and 4000K. 80 CRI = R9≥19 and 90 CRI = R9≥61. Fixture performance and photometric data based on 8' configuration for worst case input voltage. Published lumen or wattage data based on OL1 configuration.

**Voltage:** Universal (U), 120 volt (1), 277 volt (2) and 347 volt (3) options available. Must specify OL4 in Driver section when 347 volt (3) is selected. Some LINERO configurations will not accommodate all voltage options; consult with factory.

**Driver:** Standard Driver Option is Advance Xitanium 0-10V, 1% = PL2. Electronic driver, Power factor is >0.9 with a THD <20%. Driver Lifetime: 50,000 hours at 25°C ambient operating conditions. Ambient operating range for 40%, 70% and 100%: -23F/-30C to 125F/52C For more driver options, see Pinnacle Resource Guide. Some LINERO configura-

tions will not accommodate all driver options.

**Circuiting:** Select from single circuit (1), Multi circuit (M), Emergency circuit (E), Night Light circuit (N) or Life Safety (L). For emergency circuiting situations that require no through wire or circuit separation, Life Safety Circuit should be selected. This will provide a separate power feed and only the Life Safety Circuit in that section. Some LINERO configurations will not accommodate all circuiting options; consult with factory.

**Battery & Emergency:** Select battery or emergency options if required. If battery or emergency option is not required, enter 0. Battery duration is 90 minutes as standard. Test button is integral to fixture. For more Battery options, see Pinnacle Resource Guide.

**Finish:** Standard powder-coat textured white, metallic silver, textured black, graphite or bronze painted finish, consult factory for chip of standard paint finishes. Canopies painted white unless specified differently in the options section of the part number. Contact factory for additional custom color and finish options.

**Controls:** DLM utilizes wired network connections for digital control through switching and dimming with 0-10v LED drivers. nLight Air rIO module provides wireless control using eldoLED LED drivers. nLight Air rES7 sensor provides wireless control, daylight harvesting and occupancy detection with PIR or PDT using eldoLED LED drivers. EasySense sensor provides daylight harvesting and PIR occupancy detection using the SR driver; the Philips app provides advanced configurations. ENCELIUM SensiLUM sensor provides wireless control, daylight harvesting and PIR occupancy; driver data is available when using the DEXAL LED driver. WaveLinx Connected Lighting sensor provides wireless control and daylight harvesting using 0-10V LED drivers. Lutron Vive sensor provides wireless control, daylight harvesting and PIR occupancy detection using DEXAL or SR LED drivers. Lutron Vive module provides wireless control using DEXAL or SR LED drivers. Enlighted Smart Sensor provides multi-functionality including daylight harvesting and PIR occupancy; for IOT platform using 0-10v LED drivers. Enlighted Smart Sensor provides multi-functionality including daylight harvesting and PIR occupancy; for Connected platform using 0-10v LED drivers.

**Labels:** UL and cUL Listed. Approved for dry/damp location unless otherwise noted.

**Fixture Weight:** Maximum fixture weight is 17 lbs (per 4' fixture).

**Buy American Act Compliant**

**Warranty:** LINERO LED offered with a 5-year limited warranty. Covers LED, driver and fixture.