

EDGE EV6WET

6" Recessed Linear WET

Key Features

- Approved for wet location unless otherwise noted. IP65 and IK10 rated
- 6063-T5 Extruded aluminum housing
- Highly reflective die-formed white painted reflector
- All-inclusive module houses all LED system components in one compact unit
- Unit easily releases from the housing for room-side maintenance
- Wiring access available through bottom of housing
- 5-year limited warranty covers LED, driver and fixture
- UL and cUL listed
- Buy American Act compliant



Example Part #: EV6-WET-830HO-8'-IND-FLF-U-OL2-1-0-W

EV6 - WET - SHIELDING - CRI, CCT & OUTPUT - LENGTH - POSITION - MOUNTING - VOLTAGE - DRIVER - CIRCUITING - BATTERY & EMERGENCY - FINISH - FIXTURE OPTIONS

WET	---	---	---
SHIELDING	CRI, CCT & OUTPUT ¹	LENGTH ²	POSITION ³
WET - Satine Wet Lens <i>Shielding pg. 2</i>	_27_ - 2700K _30_ - 3000K _35_ - 3500K _40_ - 4000K _50_ - 5000K CL - Custom Lumens CW - Custom Watts <i>Lumen Output pg. 2</i>	_ _ - Individual Fixture <i>Length pg. 2</i>	IND - Individual BOR - Beginning of Row MOR - Middle of Row EOR - End of Row <i>Mounting pg. 3</i>

FL _	-	---	-
MOUNTING	VOLTAGE	DRIVER	CIRCUITING
FL(F) - 1/2" Flange <i>Mounting pg. 3</i>	U - Universal (120 thru 277V) 1 - 120V 2 - 277V 3 - 347V <i>Voltage pg. 3</i>	FSD - Factory Select Driver (1%, 0-10v) PL2 - Advance Xitanium (1%, 0-10v) OL4 - Osram 347v (1%, 0-10v) EE1 - eldoLED ECOdrive (1%, 0-10v) ES1 - eldoLED SOLOdrive (0%, 0-10v) LH1 - Lutron Hi-lume (1%, EcoSystem) PS1 - Advance Xitanium (50%/100%) OL2 - Osram (1%, 0-10v) <i>Driver pg. 3</i>	1 - Single Circuit M - Multi Circuit E - Emergency (entire fixture) N - Night Light (entire fixture) <i>Circuiting pg. 4</i>

---	---	---	---
BATTERY & EMERGENCY ⁴	FINISH	FIXTURE OPTIONS	CONTROLS
0 - None _FSG - Factory Select ALCR _GI - Iota ETS DR _GB - Bodine GTD _P - Bodine 10W _IC - Iota 10W (CEC Listed) _E - Emergency Circuit Section _N - Night Light Circuit Section _L - Life Safety Circuit Section <i>Battery and Emergency pg. 4</i>	W - White S - Metallic Silver BL - Textured Black BR - Bronze GR - Graphite CC - Custom Color <i>Finish pg. 4</i>	GLR - Internal Fast Blow Fuse EPF - End Power Feed N - Natatorium (corrosion resistant hardware) <i>Fixture Options pg. 5</i>	<i>Pinnacle is able to accommodate different control solutions from different manufacturers. Consult Factory for more information.</i>

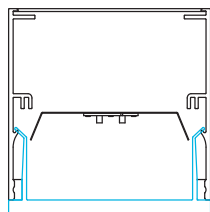
¹When specifying OUTPUT the first _ is for specifying either 8 - 80CRI or 9 - 90CRI. The ending _ _ are for specifying output, example HO - High Output. See output charts for more information. ²Individual fixtures come in nominal 2', 3', 4', 5', 6', 7', & 8' lengths, see pg. 2 for actual lengths. ³Specify position of fixture. Use IND for an individual fixture, use BOR, MOR, or EOR for building connected rows. ⁴Enter quantity for Battery and Emergency, Example 2P.

Specifications and dimensions subject to change without notice. Specification sheets that appear on pinnacle-ltg.com are the most recent version and supersede all other previously printed or electronic versions.



Shielding

WET
Satine Wet Lens



CRI, CCT & Output

- Specify either 80 or 90 CRI
- Longer lead-time may apply for 90 CRI. Consult factory
- 80 CRI = R9≥19 and 90 CRI = R9≥61

Custom Output- Lumens OR Wattage

CL _____	Specify CRI, CCT and desired lumens (i.e. CL835500)	Specify lumens between standard offering listed below. Lumens are specified per color temp
CW _____	Specify CRI, CCT and desired wattage (i.e. CW9407)	Specify watts between standard offering listed below

80 CRI

	Color	Output	Watts per foot	Shielding WET Satine Wet Lumens/ft	LPW
830	3000K	Standard	4.6	438	95.2
830HO	3000K	High	8.6	792	91.8
835	3500K	Standard	4.6	447	97.2
835HO	3500K	High	8.6	808	93.7
840	4000K	Standard	4.6	460	100.0
840HO	4000K	High	8.6	832	96.5
890	5000K	Standard	4.6	459	99.8
809HO	5000K	High	8.6	830	96.2

90 CRI

927	2700K	Standard	4.6	346	75.2
927HO	2700K	High	8.6	626	72.6
930	3000K	Standard	4.6	372	80.9
930HO	3000K	High	8.6	672	77.9
935	3500K	Standard	4.6	393	85.4
935HO	3500K	High	8.6	710	82.3
940	4000K	Standard	4.6	393	85.4
940HO	4000K	High	8.6	711	82.4

Length

2	3	4	5	6	7	8
Individual Fixture	Individual Fixture	Individual Fixture	Individual Fixture	Individual Fixture	Individual Fixture	Individual Fixture
27-1/8" (689mm)						
	39" (991mm)					
		50-3/4" (1289mm)				
			62-5/8" (1591mm)			
				74-5/8" (1895mm)		
					86-1/2" (2197mm)	
						98-3/8" (2499mm)

Specifications and dimensions subject to change without notice. Specification sheets that appear on pinnacle-ltg.com are the most recent version and supersede all other previously printed or electronic versions.

Designed in Denver, CO • USA | pinnacle-ltg.com | O: 303-322-5570 F: 303-322-5568

EV6_WET_LED_SPEC_OCT2021



Position

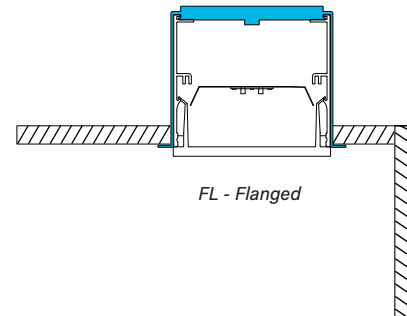
- When making rows with EDGE Wet, the rows must be ordered as individual units with a position specified
- Positions can either be "BOR" - Beginning of Row, "MOR" - Middle of Row, or "EOR" - End of Row
- The connection between fixtures is less than 1/8"
- For single, non-connected units, specify as "IND" for individual

IND	BOR	MOR	EOR
Individual Fixture	Beginning of Row	Middle of Row	End of Row

Mounting

- Available with standard 1/2" flange (FL)
- Utilize Surface Mount for in-wall application. Building surface waterproofing by others
- End trims and power cord attached at factory
- Approved for wet location unless otherwise noted
- Refer to installation instructions during installation at the jobsite

FL(F) Flanged



Voltage

- Some EDGE Wet configurations will not accommodate all voltage options; consult with factory

U	Universal
1	120 volt
2	277 volt
3	347 volt

Driver

- Standard Driver Option = PL2
- Driver Lifetime: 50,000 hours at 25°C ambient operating conditions
- For more driver options see Pinnacle Resource Guide
- Some EDGE Wet configurations will not accommodate all driver options; consult with factory

0-10V Drivers	
FSD	Factory Select Driver 1%, 0-10v
PL2	Signify Advance Xitanium 1%, 0-10v
PL4	Advance Xitanium 347v 1%, 0-10v, requires 347v
OL2	Osram Optotronic, 1%, 0-10v
OL4	Osram Optotronic 347v, 1% 0-10v, requires 347v option
EE1	eldoLED ECOdrive 1%, 0-10v Logarithmic
EE2	eldoLED ECOdrive 1%, 0-10v Linear
ES1	eldoLED SOLOdrive 0-10v, 0% Logarithmic
ES2	eldoLED SOLOdrive 0-10v, 0% Linear
DALI Drivers	
EE3	eldoLED SOLOdrive .1%, DALI (logarithmic)
EE4	eldoLED SOLOdrive .1%, DALI (linear)
OD1	Osram Optotronic 1%, DEXAL
OD2	Osram Optotronic 1%, DALI 2 Channel
Lutron Drivers	
LH1	Lutron Hi-lume Soft-on, Fade-to-black 1%, EcoSystem, LDE1
LH4	Lutron Hi-Lume 1%, 2-wire, Lutron-LTEA2W, 120v only
Alternate Drivers	
PS1	Signify Advance Xitanium Step Dimming 50%/100%
EH1	ELV 120v only, 0-10v universal
OD1	Osram Optotronic 1%, DEXAL



How to specify Circuiting, Battery and Emergency

- 1**
- Select fixture circuiting from options below
 - Some EDGE Wet configurations will not accommodate all circuiting options, consult with factory

Circuiting

1	Single Circuit
M	Multi Circuit
E	Emergency Circuit only
N	Night Light Circuit only

- 2** + **3**
- Battery and emergency section options are available in addition to fixture circuit
 - Select battery and emergency section options below; factory shop drawing required
 - Some EDGE Wet configurations will not accommodate all circuiting options, consult with factory

Battery and/or Emergency If Required

- 0** No battery or specific emergency section required

Battery

- Select battery section type if required, indicate total QTY. *Example 2P*
- 90 minute battery runtime; test button is integral to fixture
- No battery option available for 2' lengths
- Entire direct fixture housing is on battery for lengths up to 5'
- Half of direct fixture is on battery for 6', 7' or 8' housing lengths
- For more battery options available, see Pinnacle Resource Guide

0	No battery
_P	Bodine 10w Integral
_IC	Iota 10w Integral <i>CEC Listed</i>

For Approximate Battery Lumen Output

- Multiply battery wattage X fixture LPW shown on Lumen Table
- $92.3 \text{ (LPW)} \times 10 \text{ (watts)} = 923 \text{ battery lumen output}$

Emergency

- Select emergency section type if required, indicate total QTY. *Example 1E*
- Combine battery and emergency section ordering codes if both options are selected

_FSG	Factory Select ALCR, Automatic Load Control Relay
_GI	Iota ETS DR, Emergency Lighting Control Device
_GB	Bodine GTD, Emergency Lighting Control Device
_E	Emergency circuit section
_N	Night Light circuit section
_L	Life Safety circuit section NO THROUGH WIRE

Battery OR Emergency Ordering Examples

- Single circuit, 10w Integral Battery Ordering Code: 1-1P
- Emergency only, 10w Integral Battery Ordering Code: E-1P
- Single circuit, GTD required Ordering Code: 1-1G

Combination Section Ordering Examples

- Single circuit, (1) 10w battery, (1) emergency section Ordering Code: 1-1P1E
- Multi circuit, (2) 10w battery, (2) emergency sections Ordering Code: M-2P2E
- Single circuit, (1) night light section Ordering Code: 1-1N

Finish

- Standard powder-coat textured white, metallic silver, textured black, graphite or bronze painted finish; consult factory for chip of standard paint finishes
- Selecting a fixture finish other than white may impact lumen output; consult factory for more information

W	White
S	Metallic Silver
BL	Textured Black
GR	Graphite
BR	Bronze
CC	Custom Color

Specifications and dimensions subject to change without notice. Specification sheets that appear on pinnacle-ltg.com are the most recent version and supersede all other previously printed or electronic versions.

Designed in Denver, CO • USA | pinnacle-ltg.com | O: 303-322-5570 F: 303-322-5568

EV6_WET_LED_SPEC_OCT2021



Fixture Options

- Additional options to enhance the fixture and finish of the product

GLR	Internal Fast Blow Fuse
EPF	End Power Feed
N	Natatorium (corrosion resistant hardware)

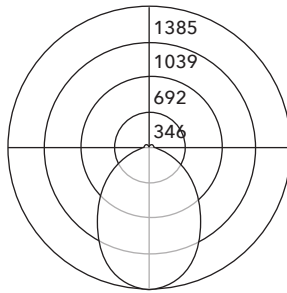
Controls

- Pinnacle is able to accommodate different control solutions from different manufacturers. Consult Factory for more information.

Photometrics

Satine Wet Lens

Test #	Scaled from ITL86504
Catalog #	EV6-WET-840-4
Lumens	3328 lm
Watts	34.5 W
Efficacy	96 LPW



Candela Distribution

Vert Angle	Horizontal Angle				
	0	22.5	45	67.5	90
0	1385	1385	1385	1385	1385
5	1378	1376	1376	1375	1375
10	1351	1345	1345	1343	1340
15	1310	1298	1297	1292	1285
20	1249	1230	1229	1219	1211
25	1170	1150	1145	1133	1122
30	1079	1062	1051	1033	1021
35	979	963	947	927	914
40	873	858	840	818	804
45	763	750	731	709	695
50	655	645	626	605	593
55	549	542	525	506	495
60	446	443	429	413	406
65	352	349	339	327	321
70	262	262	254	248	245
75	179	182	180	178	177
80	107	112	116	117	118
85	51	56	63	68	72
90	4	12	23	30	33

Luminance Data (cd/sq.m)

Angle In Degrees	Average 0-Deg	Average 45-Deg	Average 90-Deg
45	5813	5368	5048
55	5138	4667	4332
65	4452	3971	3676
75	3661	3242	3061
85	2979	2622	2721

For all available IES files, please visit our website at pinnacle-ltg.com. Photometry testing in accordance to IESNA-LM-79-08 at an NVLAP accredited testing laboratory. Testing conducted at 25°C ambient conditions

Applications & Certificates

Construction 6063-T5 extruded aluminum housing with welded ends. Internal lens gaskets seal housing to prevent moisture and debris from entering the fixture. Pressure equalizing vent allows fixture to “breathe” preventing condensation.

Shielding Solid acrylic diffuse snap-in lens with matte finish with an EPDM gasketed for complete wet seal.

Mounting Fixtures can be installed individually or connected for a continuous run appearance. IND fixtures are individual fixtures and have no joining holes. IND fixtures cannot be joined. BOR fixtures are used for beginning of row and have joining holes on non-power end of fixture. MOR fixtures are used for middle of row and have joining holes on both ends of fixture. EOR fixtures are used for the end of a row and have no joining holes on power end of fixture. Consult factory for detailed installation instructions.

LED 25°C test environment. Lumen output/wattage has a margin of +/- 5%; 2' or 3' lengths may have a greater wattage deviation. All luminaire configurations tested in accordance with IES LM-79. Diodes tested in accordance with IES LM-80. Lifetime calculated using IES TM-21. Minimum lifetime greater than 60,000 hours. Lifetime Projection L70 = 134,700 hours and L90 = 40,100 hours. MacAdam 3-Step Ellipses. Not all products are Lighting Facts listed. For all available IES files, please visit our website at pinnacle-ltg.com.

CRI, CCT & Lumen Output Two lumen packages available. Standard and High (HO). Custom outputs are available. Specify custom lumens or watts between standard offering listed on CRI, CCT & Output page. 80 CRI is available for 3000K, 3500K, and 4000K. 90 CRI is available for 2700K, 3000K, 3500K, and 4000K. 80 CRI = R9≥19 and 90 CRI = R9≥61. Published lumen or wattage data based on OL1 configuration.

Voltage Universal (U), 120 volt (1), 277 volt (2) and 347 volt (3) options available. Must specify OL4 in Driver section when 347 volt (3) is selected. Some EDGE Wet configurations will not accommodate all voltage options; consult with factory.

Driver Standard Driver Option is Advance Xitanium 0-10V, 1% = PL2. Electronic driver, Power factor is >0.9 with a THD <20%. Driver Lifetime: 50,000 hours at 25°C ambient operating conditions. Ambient operating range: -20°F/-30°C to 107°F/42°C. For more driver options, see Pinnacle Resource Guide. Some EDGE Wet configurations will not accommodate all driver options.

Circuiting Select from single circuit (1), Multi circuit - For multiple circuiting and zone control, requires factory shop drawing (M), Emergency circuit (E) or Night Light circuit (N). For emergency circuiting situations that require no through wire or circuit separation, Life Safety Circuit should be selected. This will provide a separate power feed and only the Life Safety Circuit in that section. Some EDGE Wet configurations will not accommodate all circuiting options; consult with factory.

Battery & Emergency Select battery or emergency options if required. If battery or emergency option is not required, enter 0. Battery duration is 90 minutes as standard. Test button is integral to fixture. For more Battery options, see Pinnacle Resource Guide.

Finish Standard powder-coat textured white, metallic silver, textured black, graphite or bronze painted finish; consult factory for chip of standard paint finishes or for additional custom color and finish options.

Controls Consult Factory

Labels UL and cUL Listed, approved for wet location unless otherwise noted. IP65 and IK10 rated.

Buy American Act Compliant

Warranty EDGE Wet LED offered with a 5-year limited warranty. Covers LED, driver and fixture.

Specifications and dimensions subject to change without notice. Specification sheets that appear on pinnacle-ltg.com are the most recent version and supersede all other previously printed or electronic versions.

Designed in Denver, CO • USA | pinnacle-ltg.com | O: 303-322-5570 F: 303-322-5568

EV6_WET_LED_SPEC_OCT2021