

EDGE EX1

Suspended Linear Acoustic Solution

Key Features

- EDGE Evolution 1" fixture enclosed by sound dampening acoustic panels
- Architectural frame ensures acoustic panels are mechanically secured
- Specify color for panels and frame for an exclusive design
- 5-year limited warranty covers acoustic panel and fixture
- Maximum weight is 22 lbs. for a standard 4' fixture
- Buy American Act compliant
- Apparent Noise Reduction Coefficient (NRC) is up to 1.85



Example Part #: EXIAS-12-6'-AC48G1-GR-P12



HEIGHT	LENGTH ¹	MOUNTING ²	FRAME FINISH
__ - Specify nominal height of fixture (specify either 8", 12" or 16" height) Height pg.2	__ - Individual Fixture Length pg. 2	AC__G - AC to Grid AC__JB - AC to J Box AC__ST - AC to Structure AC5__G - 5" Non-Power Canopy AC5__JB - 5" Non-Power Canopy SQ__G - 5" Square Canopy SQ__JB - 5" Square Canopy Mounting pg. 2	W - White S - Metallic Silver BL - Textured Black BR - Bronze GR - Graphite CC - Custom Color Frame Finish pg. 2

ACOUSTIC FINISH ³
P__ - Acoustic Panel Color PCC - Custom Color Panel (use 2 digit code to specify color) Acoustic Finish pg. 3

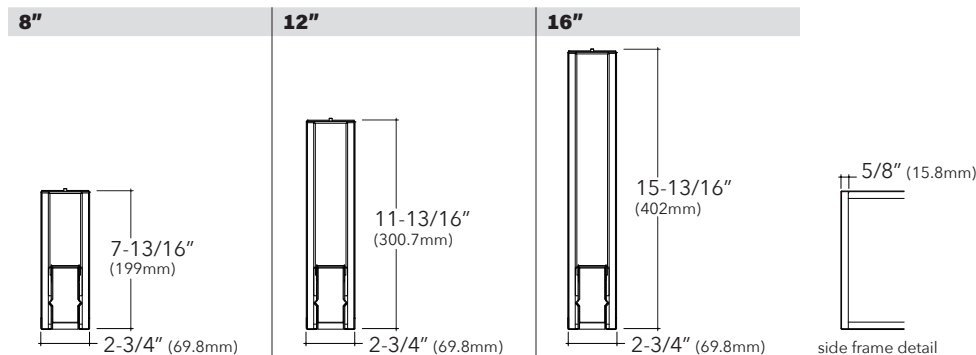
¹Individual fixtures come in 2', 3', 4', 5', 6', 7', & 8' lengths. ²Specify AC length standard AC is 48"; Specify grid: G1=15/16", G9=9/16", GS=Screw Slot. Example: AC48G1. ³For PCC option minimum order quantity required. Consult factory for more information.

Specifications and dimensions subject to change without notice. Specification sheets that appear on pinnacle-ltg.com are the most recent version and supersede all other previously printed or electronic versions.



Height

- Fixtures come in 3 different heights
- Height must be specified when ordering



Length

- Fixtures available in individual lengths only

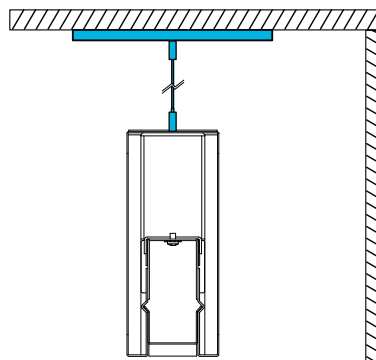
2	3	4	5	6	7	8
Indiv. Fixture	Indiv. Fixture	Indiv. Fixture	Indiv. Fixture	Indiv. Fixture	Indiv. Fixture	Indiv. Fixture
24-5/16" (617.2mm)						
	36-5/16" (922mm)					
		48-5/16" (1226.8mm)				
			60-5/16" (1531.6mm)			
				72-5/16" (1836.4mm)		
					84-5/16" (2141.2mm)	
						96-5/16" (2446mm)

Mounting

- Specify cable length in ordering code (AC48G1)
- Standard adjustable cable. Specify 48", 120", 240", or 350"
- Aircraft cable (AC) mounts on 4" (1219.2mm) and 8" (2438.4mm) centers
- Aircraft Cable supplied with 5" (127mm) canopies
- Canopies match frame finish, power cords are white, grey, or black depending on frame finish. See Frame Finish section for additional details.

- Approved for dry location unless otherwise noted
- Refer to installation instructions during installation at the job site
- Maximum fixture weight is 22 lbs for a standard 4' fixture

AC_G1	Aircraft Cable 1" (15/16") T-Bar
AC_G9	Aircraft Cable 9/16" T-Bar
AC_GS	Aircraft Cable Screw Slot T-Bar
AC_ST	Aircraft Cable Structure
2AC_G	Aircraft Cable 2" (50.8mm) Round Canopy
2AC_ST	Aircraft Cable 2" (50.8mm) Round Canopy
AC5_G	Aircraft Cable 5" (127mm) Round Canopy
AC5_ST	Aircraft Cable 5" (127mm) Round Canopy
SQ_G	Aircraft Cable 5" (127mm) Square Canopy
SQ_ST	Aircraft Cable 5" (127mm) Square Canopy



Frame Finish

- Standard powder-coat textured white, metallic silver, textured black, graphite or bronze painted finish; consult factory for chip of standard paint finishes

W	White (<i>white canopy</i>)
S	Metallic Silver (<i>silver canopy</i>)
BL	Textured Black (<i>black canopy</i>)
BR	Bronze (<i>bronze canopy</i>)
GR	Graphite (<i>graphite canopy</i>)
CC	Custom Color (<i>color match canopy</i>)

Specifications and dimensions subject to change without notice. Specification sheets that appear on pinnacle-ltg.com are the most recent version and supersede all other previously printed or electronic versions.

Designed in Denver, CO • USA | pinnacle-ltg.com | O: 303-322-5570 F: 303-322-5568

EX1_AS_SPEC_JUNE2021



Acoustic Panel Color

- 9mm PET Polyester Fiber acoustic panel
- Recyclable and contains up-to 90% post-consumer content
- Colors below are for representation purposes, color may vary from photograph, contact factory for sample
- Specify the color of the Acoustic panel with the numeric code below in the Acoustic Finish portion of the part number. For example, specify **P12** for Medium Grey

Standard Colors



Secondary Colors - May increase lead-time for order. Consult Factory.



Applications & Certificates

Construction: Frame is made of formed cold rolled steel.

Mounting: Aircraft cable that mounts on 4'-0" (1219.2mm) and 8'-0" (2438.4mm) centers. Aircraft Cable supplied with 5" (127mm) power and 2" (50.8mm) non-power canopies. Refer to installation instructions for appropriate ceiling detail. Maximum fixture weight is 10 lbs for a standard 4' fixture.

Frame Finish: Standard powder-coat textured white, metallic silver, textured black, graphite or bronze painted finish; consult factory for chip of standard paint finishes. Canopies painted to match specified frame finish. Contact factory for additional custom color and finish options.

Acoustics: Acoustic panel material is a 9mm PET Polyester Fiber acoustic panel, containing up to 90% post-consumer content, made by others. Acoustic testing was completed by Riverbank Acoustic. For specific reports, contact Pinnacle directly. Acoustic material

is extremely durable and requires little attention as far as maintenance. Light dusting is recommended. For disinfection, spray lightly with preferred disinfectant solution and let air dry. Do not wipe after being sprayed for optimal disinfection.

Labels: ETL listed conforming to UL 1598 and CSA 250. Approved for dry location unless otherwise noted.

Fixture Weight: Maximum fixture weight is 22 lbs for a standard 4' fixture.

Buy American Act Compliant

Warranty: EX LED offered with a 5-year limited warranty. Covers acoustic panel and fixture.