

# EDGE EX1

1" Suspended Direct Linear  
with Acoustic Solution

## Key Features

- EDGE Evolution 1" fixture enclosed by sound dampening acoustic panels
- Architectural frame ensures acoustic panels are mechanically secured
- Specify color for panels and frame for an exclusive design
- Room-side maintenance for LED System
- 5-year limited warranty covers LED, driver, acoustic panel and fixture
- Maximum weight is 22 lbs. for a standard 4' fixture
- Buy American Act compliant
- Apparent Noise Reduction Coefficient (NRC) is up to 1.85



Example Part #: EX1AS-12-HE-N-830HO-6'-AC48G1-U-OL2-1-0-GR-P12

**EX1AS** - HOUSING - FIXTURE HEIGHT - DIRECT SHIELDING - INDIRECT SHIELDING - CRI, CCT & OUTPUT - LENGTH - MOUNTING - VOLTAGE - DRIVER - CIRCUITING - BATTERY & EMERGENCY - FRAME FINISH - ACOUSTIC FINISH

HEIGHT	DIRECT SHIELDING	INDIRECT SHIELDING	CRI, CCT & OUTPUT <sup>1</sup>
__ - Specify nominal height of fixture (specify either 8", 12" or 16" height) Height pg. 2	<b>A</b> - Satine Lens <b>HE</b> - High Efficiency Lens <b>HED</b> - Descent Lens <b>P</b> - Parabolic Louver <b>WHE</b> - Asymmetric High Efficiency <b>BW</b> - Batwing Direct Shielding pg. 2	<b>N</b> - None Indirect Shielding pg. 2	_27_ - 2700K _30_ - 3000K _35_ - 3500K _40_ - 4000K <b>CL</b> - Custom Lumens <b>CW</b> - Custom Watts CRI, CCT, Output pg. 2
LENGTH <sup>2</sup>	MOUNTING <sup>3</sup>	VOLTAGE	DRIVER
__ - Individual Fixture Length pg. 3	<b>AC__G_</b> - AC to Grid <b>AC__JB</b> - AC to J Box <b>AC__ST</b> - AC to Structure <b>AC5__G_</b> - 5" Non-Power Canopy <b>AC5__JB</b> - 5" Non-Power Canopy <b>SQ__G_</b> - 5" Square Canopy <b>SQ__JB</b> - 5" Square Canopy Mounting pg. 3	<b>U</b> - Universal (120 thru 277V) <b>1</b> - 120V <b>2</b> - 277V <b>3</b> - 347V Voltage pg. 3	<b>PL2</b> - Advance Xitanium (1%, 0-10v) <b>OL4</b> - Osram 347V (1%, 0-10v) <b>EE1</b> - eldoLED ECOdrive (1%, 0-10v) <b>ES1</b> - eldoLED SOLOdrive (0%, 0-10v) <b>LH1</b> - Lutron Hi-lume (1%, EcoSystem) <b>PS1</b> - Advance Xitanium (50%/100%) <b>OL2</b> - Osram (1%, 0-10v) <b>ND</b> - Non-Dimming Driver pg. 3
CIRCUITING	BATTERY & EMERGENCY <sup>4</sup>	FRAME FINISH	ACOUSTIC FINISH <sup>5</sup>
<b>1</b> - Single Circuit <b>M</b> - Multi Circuit <b>E</b> - Emergency (entire fixture) <b>N</b> - Night Light (entire fixture) Circuiting pg. 4	<b>0</b> - None <b>_PLL</b> - Bodine 10W <b>_E</b> - Emergency (section of fixture) <b>_N</b> - Night Light (section of fixture) <b>_L</b> - Life Safety Section <b>_G</b> - Bodine GTD Battery & Emergency pg. 4	<b>W</b> - White <b>S</b> - Metallic Silver <b>BL</b> - Textured Black <b>BR</b> - Bronze <b>GR</b> - Graphite <b>CC</b> - Custom Color Frame Finish pg. 4	<b>P__</b> - Acoustic Panel Color <b>PCC</b> - Custom Color Panel (use 2 digit code to specify color) Acoustic Finish pg. 5

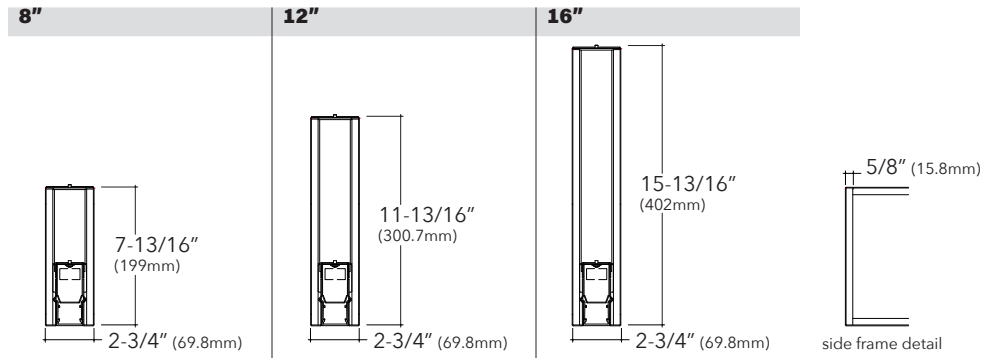
<sup>1</sup>When specifying CRI, CCT & OUTPUT the first \_ is for specifying either 8 - 80CRI or 9 - 90CRI. The ending \_\_ are for specifying output, example HO - High Output. See output charts for more information. <sup>2</sup>Individual fixtures come in 2', 3', 4', 5', 6', 7', & 8' lengths. <sup>3</sup>Specify AC length standard AC is 48"; Specify grid: G1=15/16", G9=9/16", GS=Screw Slot. Example: AC48G1 <sup>4</sup>Enter quantity for Battery and Emergency, Example 2PL. <sup>5</sup>For PCC option minimum order quantity required. Consult factory for more information.

Specifications and dimensions subject to change without notice. Specification sheets that appear on pinnacle-ltg.com are the most recent version and supersede all other previously printed or electronic versions.

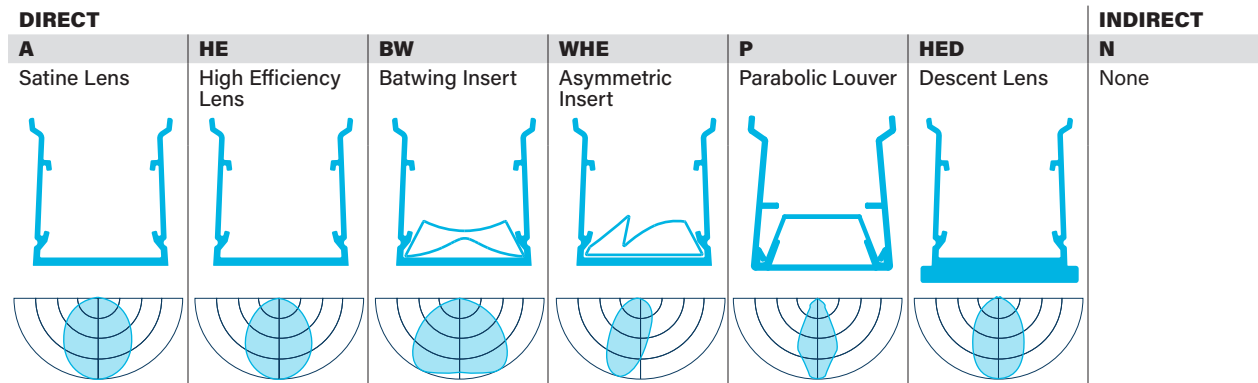


## Height

- Fixtures come in 3 different heights
- Height must be specified when ordering



## Shielding



## Output

- Specify either 80 or 90 CRI
- Longer lead-time may apply for 90 CRI. Consult factory.
- 80 CRI = R9≥19 and 90 CRI = R9≥61

## Custom Output - Lumens OR Wattage

<b>CL</b> _____	Specify CRI, CCT and desired lumens (i.e. CL835500)	Specify lumens between standard offering listed below. Lumens are specified per color temp
<b>CW</b> _____	Specify CRI, CCT and desired wattage (i.e. CW9407)	Specify watts between standard offering listed below

### 80 CRI

	Color	Output	Watts per foot	Shielding A		HE		BW		WHE		P		HED	
				Satine Lens Lumens/ft	LPW	High Efficiency Lumens/ft	LPW	Batwing Lumens/ft	LPW	Asymmetric Lumens/ft	LPW	Louver Lumens/ft	LPW	Descent Lumens/ft	LPW
<b>830</b>	3000K	Standard	4.5	347	77.1	412	91.6	327	72.7	365	81.1	273	60.7	377	83.8
<b>830HO</b>	3000K	High	8.6	641	74.5	761	88.5	604	70.2	676	78.6	504	58.6	698	81.2
<b>835</b>	3500K	Standard	4.5	357	79.3	424	94.2	336	74.7	376	83.6	281	62.4	388	86.2
<b>835HO</b>	3500K	High	8.6	658	76.6	782	90.9	621	72.2	695	80.8	519	60.3	717	83.4
<b>840</b>	4000K	Standard	4.5	365	81.0	432	96.0	343	76.2	383	85.1	286	63.6	396	88.0
<b>840HO</b>	4000K	High	8.6	670	77.8	797	92.7	633	73.6	708	82.3	529	61.5	731	85.0

### 90 CRI

<b>927</b>	2700K	Standard	4.5	274	60.8	325	72.2	259	57.6	289	64.2	216	48.0	298	66.2
<b>927HO</b>	2700K	High	8.6	506	58.8	601	69.9	478	55.6	534	62.1	399	46.4	551	64.1
<b>930</b>	3000K	Standard	4.5	320	71.1	380	84.4	302	67.1	337	74.9	252	56.0	348	77.3
<b>930HO</b>	3000K	High	8.6	591	68.7	701	81.5	557	64.8	623	72.4	465	54.1	643	74.8
<b>935</b>	3500K	Standard	4.5	321	71.3	382	84.9	303	67.3	339	75.3	253	56.2	349	77.6
<b>935HO</b>	3500K	High	8.6	592	68.8	704	81.9	559	65.0	625	72.7	467	54.3	645	75.0
<b>940</b>	4000K	Standard	4.5	326	72.4	386	85.8	306	68.0	342	76.0	256	56.9	354	78.7
<b>940HO</b>	4000K	High	8.6	598	69.5	711	82.7	565	65.7	632	73.5	472	54.9	653	75.9

Specifications and dimensions subject to change without notice. Specification sheets that appear on pinnacle-ltg.com are the most recent version and supersede all other previously printed or electronic versions.

Designed in Denver, CO • USA | pinnacle-ltg.com | O: 303-322-5570 F: 303-322-5568

EX1\_AS\_LED\_SPEC\_JUNE2021



## Length

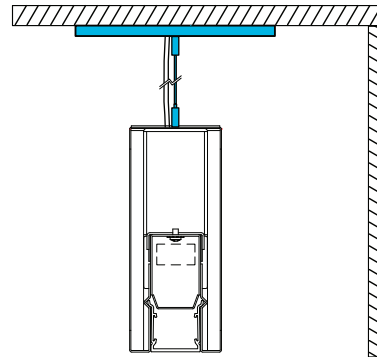
- Fixtures available in individual lengths only

2	3	4	5	6	7	8
Indiv. Fixture	Indiv. Fixture	Indiv. Fixture	Indiv. Fixture	Indiv. Fixture	Indiv. Fixture	Indiv. Fixture
24-5/16" (617.2mm)						
36-5/16" (922mm)						
48-5/16" (1226.8mm)						
60-5/16" (1531.6mm)						
72-5/16" (1836.4mm)						
84-5/16" (2141.2mm)						
96-5/16" (2446mm)						

## Mounting

- Specify cable length in ordering code (AC48G1)
- Standard adjustable cable. Specify 48", 120", 240", or 350"
- Aircraft cable (AC) mounts on 4' (1219.2mm) and 8' (2438.4mm) centers
- Aircraft Cable supplied with 5" (127mm) power and 2" (50.8mm) non-power canopies
- Canopies match frame finish, power cords are white, grey, or black depending on frame finish. See Frame Finish section for additional details.
- Approved for dry location unless otherwise noted
- Refer to installation instructions during installation at the job site
- Maximum fixture weight is 22 lbs for a standard 4' fixture

<b>AC_G1</b>	Aircraft Cable 1" (15/16") T-Bar
<b>AC_G9</b>	Aircraft Cable 9/16" T-Bar
<b>AC_GS</b>	Aircraft Cable Screw Slot T-Bar
<b>AC_JB</b>	Aircraft Cable Junction Box
<b>AC_ST</b>	Aircraft Cable Structure
<b>AC5_G</b>	Aircraft Cable 5" (127mm) Non-Power Canopy
<b>AC5_JB</b>	Aircraft Cable 5" (127mm) Non-Power Canopy
<b>SQ_G</b>	Aircraft Cable 5" (127mm) Square Canopy
<b>SQ_JB</b>	Aircraft Cable 5" (127mm) Square Canopy



## Voltage

- Some EX1 configurations will not accommodate all voltage options; consult with factory

<b>U</b>	Universal
<b>1</b>	120 volt
<b>2</b>	277 volt
<b>3</b>	347 volt

## Driver

- Standard Driver Option = PL2
- Driver Lifetime: 50,000 hours at 25°C ambient operating conditions
- For more driver options, see Pinnacle Resource Guide
- Some EX1 configurations will not accommodate all driver options; consult with factory

<b>PL2</b>	Advance Xitanium 1%, 0-10v
<b>OL4</b>	Osram Optronic 347v 1%, 0-10v, requires 347v option
<b>EE1</b>	eldoLED ECOdrive 1%, 0-10v Logarithmic
<b>EE2</b>	eldoLED ECOdrive 1%, 0-10v Linear
<b>ES1</b>	eldoLED SOLOdrive 0%, 0-10v Logarithmic
<b>ES2</b>	eldoLED SOLOdrive 0%, 0-10v Linear
<b>LH1</b>	Lutron Hi-lume Soft-on, Fade-to-black 1%, EcoSystem, LDE1
<b>PS1</b>	Advance Xitanium Step Dimming 50%/100%
<b>OL2</b>	Osram Optronic 1%, 0-10v, nominal 1% dimming range
<b>ND</b>	Non-Dimming



## How to specify Circuiting, Battery and Emergency

1

- Select fixture circuiting from options below
- Some EX1 configurations will not accommodate all circuiting options, consult with factory

### Circuiting

<b>1</b>	Single Circuit
<b>M</b>	Multi Circuit
<b>E</b>	Emergency Circuit (whole fixture)
<b>N</b>	Night Light Circuit (whole fixture)

2

+

3

- Battery and emergency section options are available in addition to fixture circuit
- Select battery and emergency section options below; factory shop drawing required
- Some EX1 configurations will not accommodate all circuiting options, consult with factory

### Battery and/or Emergency If Required

**0** No battery or specific emergency section required

### Battery

- Select battery section type if required, indicate total QTY. *Example 2PL*
- 90 minute battery runtime; test button is remote to fixture and requires an additional drop
- Battery not available for lengths under 4'
- Entire direct fixture housing is on battery for lengths up to 5'
- Half of fixture is on battery for 6', 7' or 8' housing lengths
- For more battery options available, see Pinnacle Resource Guide

#### For Approximate Battery Lumen Output

- Multiply battery wattage X fixture LPW shown on Lumen Table
- 92.3 (LPW) x 10 (watts) = 923 battery lumen output

<b>0</b>	No battery
<b>_PLL</b>	Bodine 10w Integral Lithium <i>(self testing)</i>

### Emergency

- Select emergency section type if required, indicate total QTY. *Example 1E*
- Combine battery and emergency section ordering codes if both options are selected
- Circuiting sections only available on 6' fixture lengths and longer

#### Battery OR Emergency Ordering Examples

- Single circuit, 10w Integral Battery      Ordering Code: 1-1PL
- Emergency only, 10w Integral Battery      Ordering Code: E-1PL
- Single circuit, GTD required      Ordering Code: 1-1G

<b>_E</b>	Emergency circuit section
<b>_N</b>	Night Light circuit section
<b>_L</b>	Life Safety circuit section NO THROUGH WIRE
<b>_G</b>	Bodine GTD, Generator Transfer Device section

#### Combination Section Ordering Examples

- Single circuit, (1) 10w battery, (1) emergency section      Ordering Code: 1-1PL1E
- Multi circuit, (2) 10w battery, (1) emergency sections      Ordering Code: M-2PL1E
- Single circuit, (1) night light section      Ordering Code: 1-1N

### Frame Finish

- Standard powder-coat textured white, metallic silver, textured black, graphite or bronze painted finish; consult factory for chip of standard paint finishes
- Selecting a frame finish other than white may impact lumen output; consult factory for more information

<b>W</b>	White <i>(white cord/white canopy)</i>
<b>S</b>	Metallic Silver <i>(grey cord/silver canopy)</i>
<b>BL</b>	Textured Black <i>(black cord/black canopy)</i>
<b>BR</b>	Bronze <i>(white cord/bronze canopy)</i>
<b>GR</b>	Graphite <i>(white cord/graphite canopy)</i>
<b>CC</b>	Custom Color <i>(white cord/color match canopy)</i>



## Acoustic Panel Color

- 9mm PET Polyester Fiber acoustic panel
- Recyclable and contains up-to 90% post-consumer content
- Colors below are for representation purposes, color may vary from photograph, contact factory for sample
- Specify the color of the Acoustic panel with the numeric code below in the Acoustic Finish portion of the part number. For example, specify **P12** for Medium Grey

### Standard Colors



### Secondary Colors - May increase lead-time for order. Consult Factory.



Please note there is a minimum order quantity for custom matching. Consult factory for order quantity, price and lead-time.

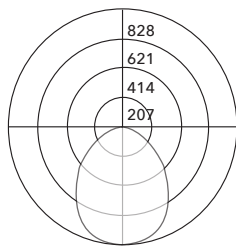
## Controls

- Pinnacle is able to accommodate different control solutions from different manufacturers. Consult Factory for more information.

## Photometrics

### High Efficiency Lens

Test #	ITL86985
Catalog #	EX1HE-840-4
Lumens	1726 Lm
Watts	19.9 W
Efficacy	87 LPW



### Candela Distribution

Vert Angle	Horizontal Angle				
	0	22.5	45	67.5	90
0	828	828	828	828	828
5	823	824	823	822	821
10	810	808	804	799	796
15	787	779	769	757	751
20	753	739	722	699	690
25	710	689	662	629	614
30	657	632	595	554	537
35	596	569	524	477	459
40	528	499	449	404	387
45	457	429	379	336	323
50	385	361	315	277	266
55	317	296	256	225	216
60	253	234	203	179	172
65	194	180	156	140	135
70	142	132	116	103	100
75	97	90	79	72	70
80	58	54	48	44	44
85	26	24	21	20	20
90	0	0	0	0	0

### Luminance Data (cd/sq.m)

Angle In Degrees	Average 0-Deg	Average 45-Deg	Average 90-Deg
45	14181	11775	10034
55	12136	9795	8273
65	10063	8103	6991
75	8216	6745	5967
85	6677	5393	5136

For all available IES files, please visit our website at [pinnacle-ltg.com](http://pinnacle-ltg.com). Photometry testing in accordance to IESNA-LM-79-08 at an NVLAP accredited testing laboratory. Testing conducted at 25°C ambient conditions

Specifications and dimensions subject to change without notice. Specification sheets that appear on [pinnacle-ltg.com](http://pinnacle-ltg.com) are the most recent version and supersede all other previously printed or electronic versions.



## Applications & Certificates

**Construction:** Frame is made of formed cold rolled steel. Highly reflective die-formed white painted reflector.

**Shielding:** Diffuse snap-in acrylic lens with matte finish, removable for maintenance.

**Mounting:** Aircraft cable that mounts on 4'-0" (1219.2mm) and 8'-0" (2438.4mm) centers. Aircraft Cable supplied with 5" (127mm) power and 2" (50.8mm) non-power canopies. Refer to installation instructions for appropriate ceiling detail. Maximum fixture weight is 10 lbs for a standard 4' fixture.

**LED:** 25°C test environment. Lumen output/wattage has a margin of +/- 5%; 2' or 3' lengths may have a greater wattage deviation. All luminaire configurations tested in accordance with IES LM-79. Diodes tested in accordance with IES LM-80. Lifetime calculated using IES TM-21. Minimum lifetime greater than 60,000 hours. L70 = 124,900 hours and L90 = 37,200 hours. MacAdam 3-Step Ellipses. Not all products are Lighting Facts listed. For all available IES files, please visit our website at [pinnacle-ltg.com](http://pinnacle-ltg.com).

**CRI, CCT & Output:** Two lumen packages available. Standard and High (HO). Custom outputs are available. Specify custom lumens or watts between standard offering listed on CRI, CCT & Output page. 80 CRI is available for 3000K, 3500K, and 4000K. 90 CRI is available for 2700K, 3000K, 3500K, and 4000K. 80 CRI = R9≥19 and 90 CRI = R9≥61.

**Voltage:** Universal (U), 120 volt (1), 277 volt (2) and 347 volt (3) options available. Must specify OL4 in Driver section when 347 volt (3) is selected. Some EX configurations will not accommodate all voltage options; consult with factory.

**Driver:** Standard Driver option is Advance Xitanium 0-10V, 1% = PL2. Electronic driver, Power factor is >0.9 with a THD <20%. Driver Lifetime: 50,000 hours at 25°C ambient operating conditions. Ambient operating range: -20°F/-30°C to 107°F/42°C. When ND is specified, a spec grade driver will be provided. For more driver options, see Pinnacle Resource Guide. Some EX configurations will not accommodate all driver options.

**Circuiting:** Select from single circuit (1), Multi circuit (M), Emergency circuit (E) or Night

Light circuit (N). For emergency circuiting situations that require no through wire or circuit separation, Life Safety Circuit should be selected. This will provide a separate power feed and only the Life Safety Circuit in that section. Some EX configurations will not accommodate all circuiting options; consult with factory.

**Battery & Emergency:** Select battery or emergency options if required. If battery or emergency option is not required, enter 0. Battery duration is 90 minutes as standard. Test button is remote to fixture. For more Battery options, see Pinnacle Resource Guide.

**Frame Finish:** Standard powder-coat textured white, metallic silver, textured black, graphite or bronze painted finish; consult factory for chip of standard paint finishes. Canopies painted to match specified frame finish. Contact factory for additional custom color and finish options.

**Acoustics:** Acoustic panel material is a 9mm PET Polyester Fiber acoustic panel, containing up to 90% post-consumer content, made by others. Acoustic testing was completed by Riverbank Acoustic. For specific reports, contact Pinnacle directly. Acoustic material is extremely durable and requires little attention as far as maintenance. Light dusting is recommended. For disinfection, spray lightly with preferred disinfectant solution and let air dry. Do not wipe after being sprayed for optimal disinfection.

**Controls:** Consult factory.

**Labels:** ETL listed conforming to UL 1598 and CSA 250. Standard and HO lumen packages are approved for dry location unless otherwise noted.

**Fixture Weight:** Maximum fixture weight is 22 lbs for a standard 4' fixture.

**Buy American Act Compliant**

**Warranty:** EX LED offered with a 5-year limited warranty. Covers LED, driver, acoustic panel and fixture.