



Grid Installation	2
Flanged (FL) Inaccessible Installation	3-4
Spackle Flange (SF) Inaccessible Installation	5
Recessed to Suspended Installation	6
AC Cable Installation	7
Power over AC Cable Installation	8
Surface Mount Installation	9
Joint Details	10
Remote Box Details	11
Reflector Details	12

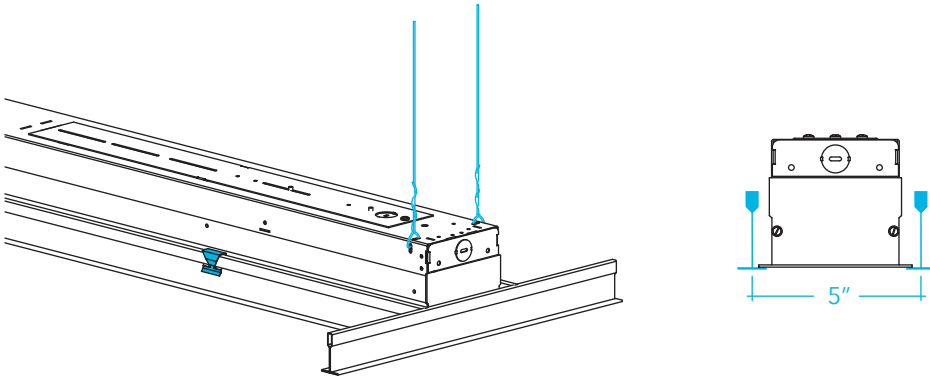


DO NOT SCREW THROUGH FIXTURE



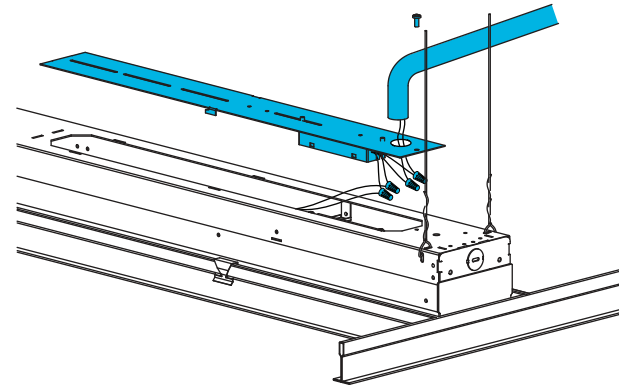
1 GRID PREPARATION AND INSTALLATION

Prepare grid to the width needed to accommodate the fixture. Install four grid clips (2 per side) on each fixture. Place fixture into grid opening and tie off fixture to support.



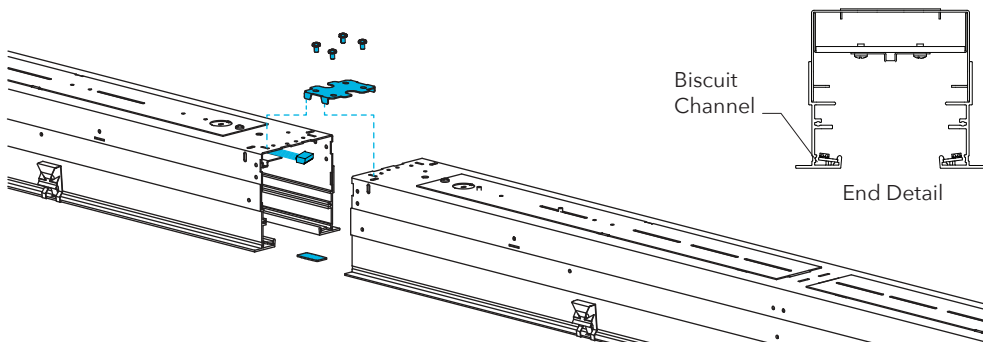
2 POWER

Remove Access Plate via one screw. Make wiring connections to building power and replace Access Plate.



3 JOINING

Make wiring connections between fixtures, insert joining biscuits in to one fixture, slide fixtures together, and secure using joining bracket and four screws.



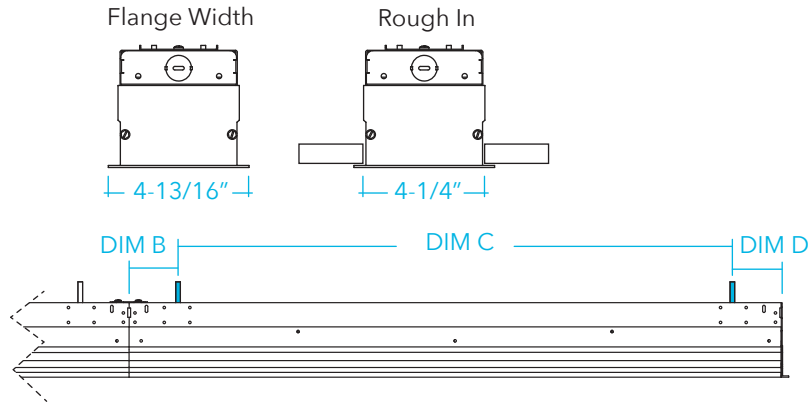


DO NOT SCREW THROUGH FIXTURE



1 LAYOUT & DIMENSIONS

Rough in fixture opening and install 1/4" hardware according to tables to the right. Fixture length can be found on label inside fixture. Rough-in for length is Row or Fixture Length + 3/8".

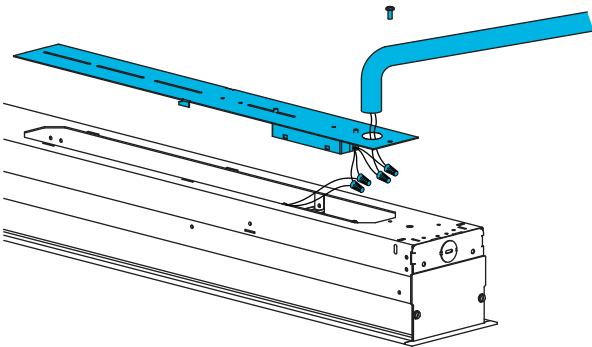


THREADED ROD LOCATIONS

LENGTH	DIM A	DIM B	DIM C
23"	3/4"	21-1/2"	13/16"
24"	3/4"	22-1/2"	13/16"
35"	2-5/8"	29-3/4"	2-11/16"
36"	2-5/8"	30-3/4"	2-11/16"
47"	2-5/8"	41-3/4"	2-11/16"
48"	2-5/8"	43-3/4"	2-11/16"
59"	2-5/8"	53-3/4"	2-11/16"
60"	2-5/8"	54-3/4"	2-11/16"
71"	1-5/8"	66-3/4"	2-11/16"
72"	2-5/8"	66-3/4"	2-11/16"
83"	1-5/8"	78-3/4"	2-11/16"
84"	1-5/8"	79-3/4"	2-11/16"
95"	1-5/8"	90-3/4"	2-11/16"
96"	2-5/8"	90-3/4"	2-11/16"

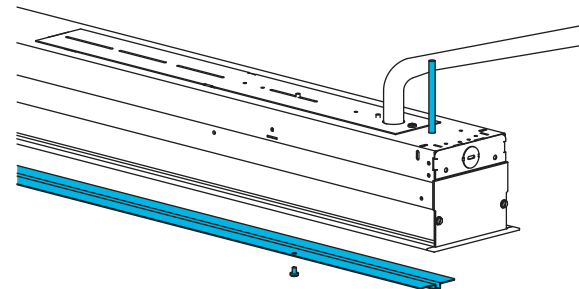
2 POWER

Remove Access Plate via one screw. Make wiring connections to building power and replace Access Plate.



3 INDIVIDUAL FIXTURE

Remove wiring channel cover via #8-23 screws (2 per cover). Mount fixture through mounting hole to threaded rod.



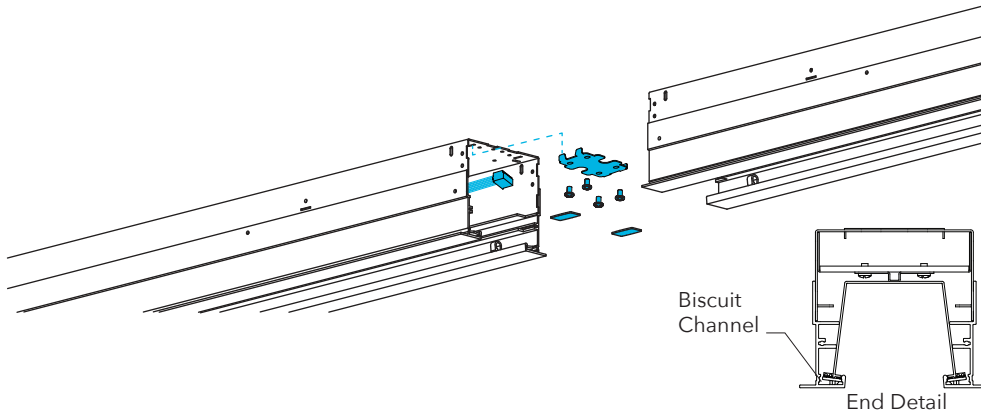


DO NOT SCREW THROUGH FIXTURE



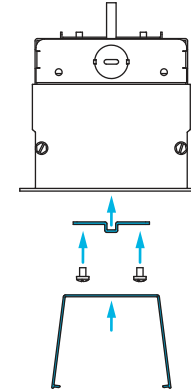
4 JOINING FIXTURES

Make wiring connections between fixtures, insert joining biscuits in to one fixture, slide fixtures together, and secure using joining bracket and four screws.



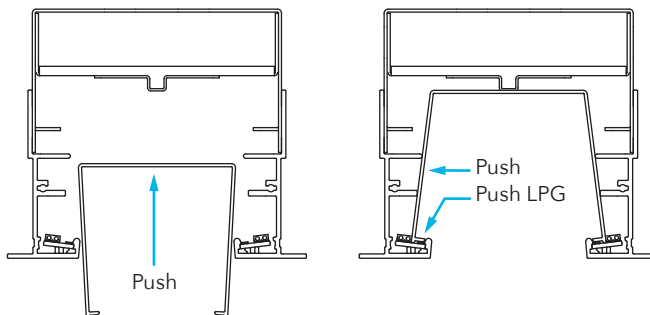
5 FINISHING

Re-install wiring channel cover with #8-32 screws. Carefully re-install reflector. (see below)



REINSTALLING THE REFLECTOR

Starting at one end of the fixture, push the reflector into the opening of the housing until entirely inside. Starting on one side of the reflector, push leg of reflector into place along entire length of reflector. Run finger along the Light Protection Guard (LPG) to make sure LPG is fully seated along the edge of the housing. Repeat on opposite leg of reflector.



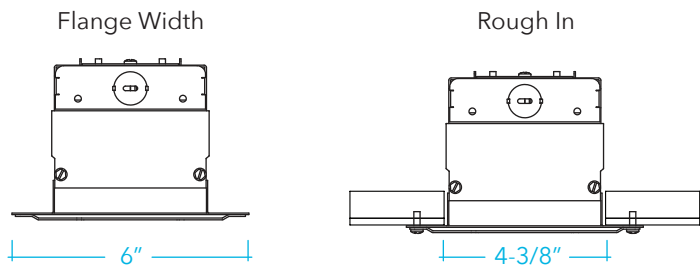


DO NOT SCREW THROUGH FIXTURE



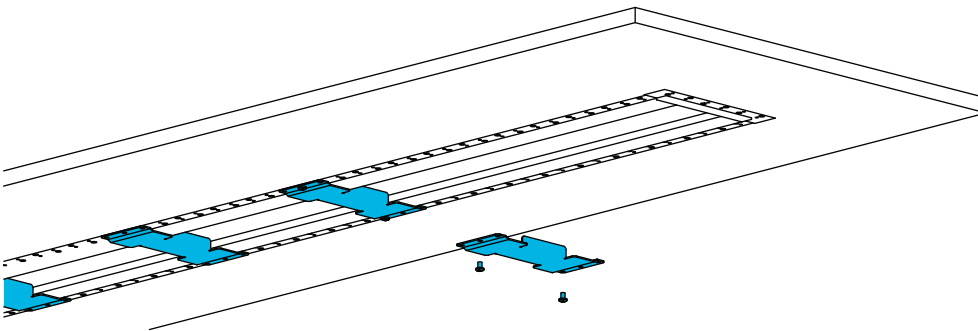
1 DIMENSIONS AND LAYOUT

Rough in fixture opening Fixture length can be found on label inside fixture. Rough-in for length is Row or Fixture Length + 3/8".
(Note: Do not screw in to side of housing. Do not remove cross brackets until fixture is installed.)



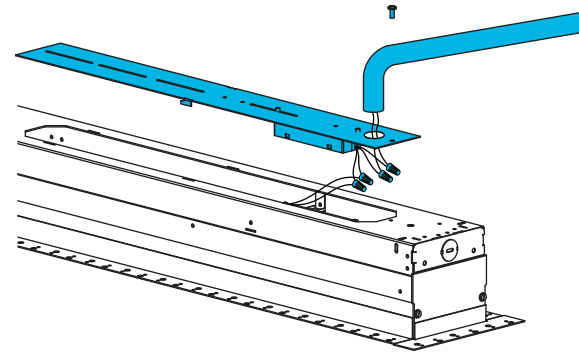
3 INDIVIDUAL FIXTURE

Mount fixture in rough-in opening by placing a screw behind each cross bracket along the length of the fixture and two on each end flange. Once mounted, remove cross brackets and discard. If individual fixture, install reflector (detail view on page 4).



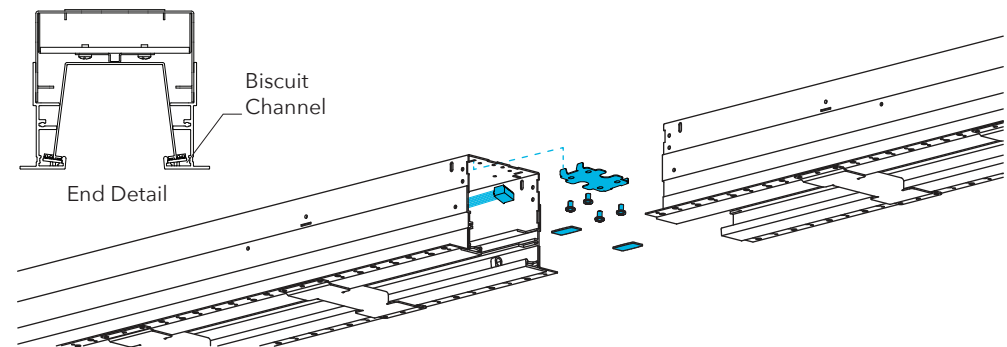
2 POWER

Remove Access Plate via one screw. Make wiring connections to building power and replace Access Plate.



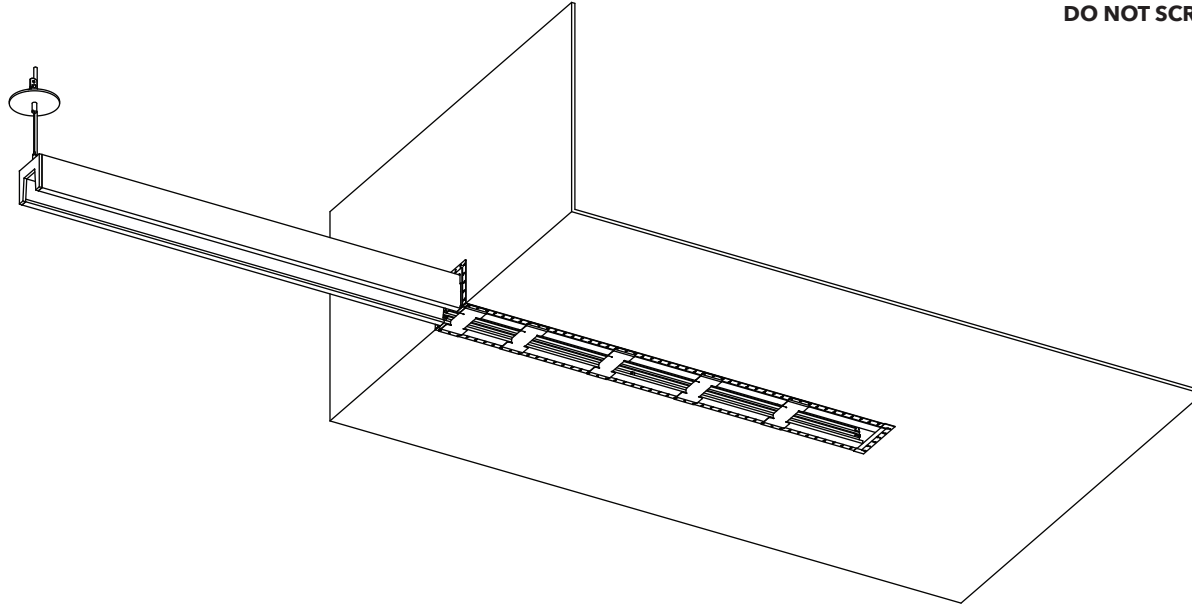
4 JOINING

Make wiring connections between fixtures, insert joining biscuits, slide fixtures together, and secure using joining bracket and four screws. Once all fixtures in row are installed, install reflectors (detail view on page 4).



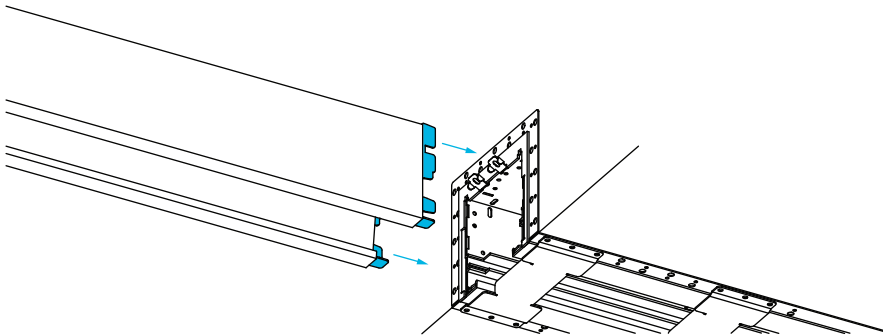


DO NOT SCREW THROUGH FIXTURE



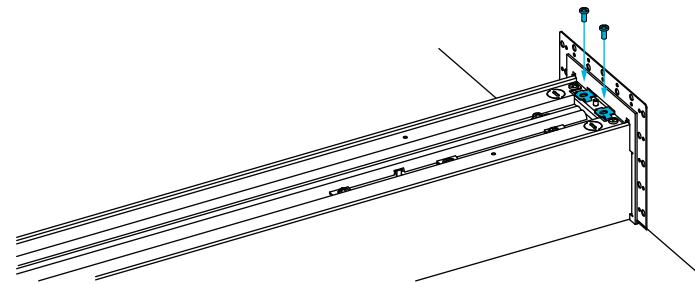
1 ALIGN SUSPENDED AND RECESSED FIXTURES

Install recessed housing as normal (see spackle flange installs pg. 5). Mount far end of suspended fixture using AC cable install instructions (see pg. 7). Slide fixtures together aligning the light blockers with the slots in the recessed fixture.



2 SECURE TOGETHER

Bend the two joiner tabs down and drive 2x #8-32x3/8 screws (in mounting hardware) to make joint. Level suspended fixture in-line with the recessed fixture. Finish the joint with a bead of silicon (by others) on each side of the recessed to suspended joint.



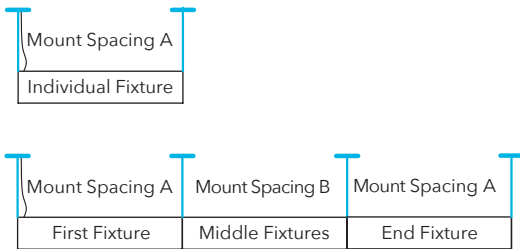


DO NOT SCREW THROUGH FIXTURE 

1 LAYOUT

Lay out mounting and J-Box locations.

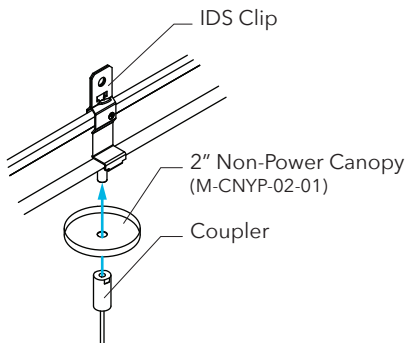
Mount Spacing Aircraft Cable Examples



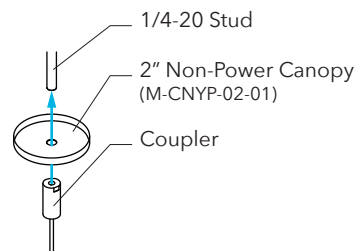
FIXTURE	A	B
2'	23-9/16"	24"
3'	35-9/16"	36"
4'	47-9/16"	48"
5'	59-9/16"	60"
6'	71-9/16"	72"
7'	83-9/16"	84"
8'	95-9/16"	96"

3 NON-POWER MOUNT

Install 1/4-20 stud (by others) or IDS Clip (by others) for non-power mounts (1/2" below ceiling plane). Secure canopy to stud or IDS clip using coupler.



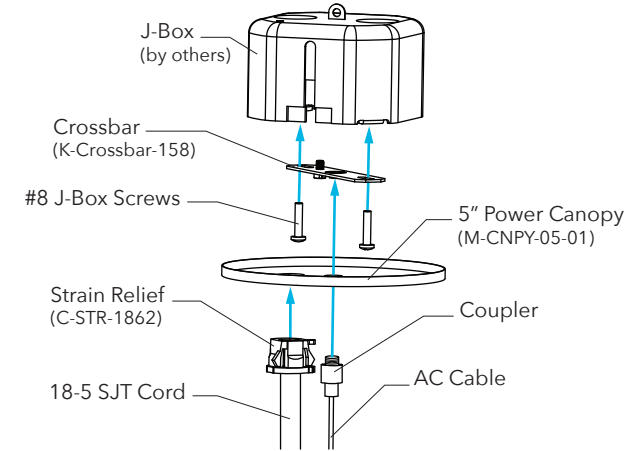
Grid Mounting



Inaccessible Mounting

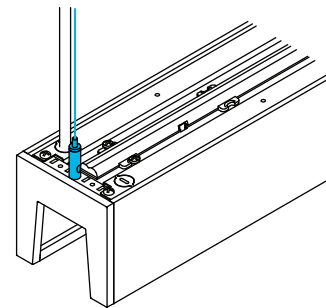
2 POWER SIDE MOUNT

Install crossbar to J-Box (by others). Run SJT cord through canopy, secure with strain relief, and make wiring connections inside of J-Box. Feed aircraft cable through coupler, secure canopy to crossbar using coupler.



4 MOUNTING FIXTURE

Attach gripper to stud at each end of fixture. Level fixture. If part of a run, see page 5 for joining instructions.





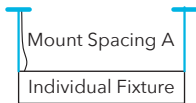
DO NOT SCREW THROUGH FIXTURE



1 LAYOUT

Lay out mounting and J-Box locations.

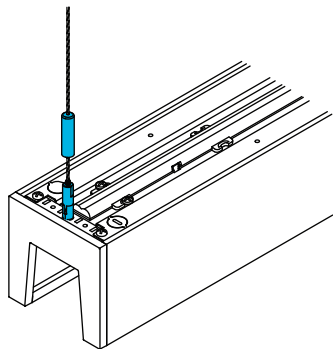
Mount Spacing Aircraft Cable Examples



FIXTURE	A
2'	23-9/16"
3'	35-9/16"
4'	47-9/16"
5'	59-9/16"
6'	71-9/16"
7'	83-9/16"
8'	95-9/16"

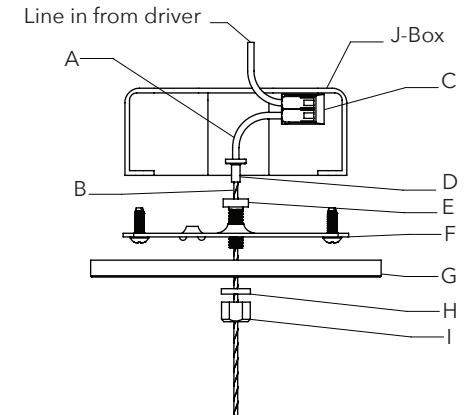
3 FIXTURE MOUNTING

Unscrew and slide cover up. Insert the positive AC Cable into the Gripper labeled "+" and the negative AC Cable into the Gripper labeled "-". Level fixture. Trim AC Cable. Reinstall Cover.



2 CEILING SIDE MOUNTING

Slide insulation tube (A) onto cable stub (B) above swaged T sleeve (D) leaving 1/2" max. of cable stub exposed. Connect exposed cable stub to one of driver leads via WAGO (C) or similar connector inside J-Box. Feed free end of cable through insulated threaded sleeve (E) until swaged T sleeve (D) sits in insulated sleeve (E). Thread sleeve (E) and cable into bracket bar (F). Mount bracket bar assembly to J-Box. Feed free end of cable through canopy (G), plastic flat washer (H) and screw on cap (I) until canopy is firmly mounted to ceiling.



IMPORTANT SAFETY INSTRUCTIONS

- a) Read all instructions.
- b) Do not conceal or extend exposed conductors through a building wall.
- c) Do not install this system in wet locations.
- d) To reduce the risk of fire and burns, do not install this lighting system where the exposed bare conductors can be shorted or contact any conductive materials.
- f) Do not install any luminaire closer than 6 in. (152mm) from any curtain, or similar combustible materials.
- g) Turn off electrical power before modifying the lighting system in any way.
- h) [For low voltage exposed insulated conductor systems required by 30.1(c):] Do not install any part of this system less than 7 ft (2.2m) above the floor.

SAVE THESE INSTRUCTIONS

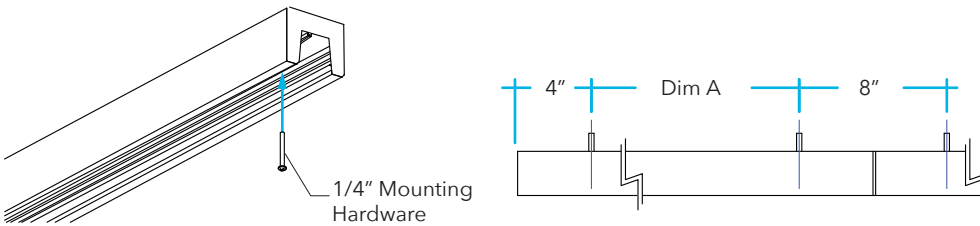


DO NOT SCREW THROUGH FIXTURE



1 MOUNTING FIXTURE

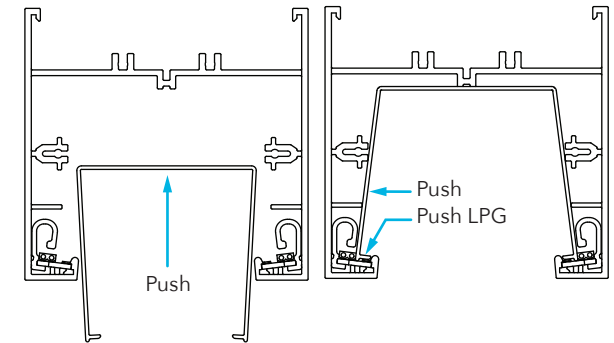
Install 1 remote box per fixture. Ensure proper support above fixture (see *mounting chart*). Using 1/4" hardware (by others), attach fixture to ceiling. If installing a run, see page 5 for joint details.



FIXTURE	2'	3'	4'	5'	6'	7'	8'
A	23-9/16"	35-9/16"	47-9/16"	59-9/16"	71-9/16"	83-9/16"	95-9/16"

2 INSTALLING THE REFLECTOR

Starting at one end of the fixture, push the reflector into the opening of the housing until entirely inside. Starting on one side of the reflector, push leg of reflector into place along entire length of reflector. Run finger along the Light Protection Guard (LPG) to make sure LPG is fully seated along the edge of the housing. Repeat on opposite leg of reflector.



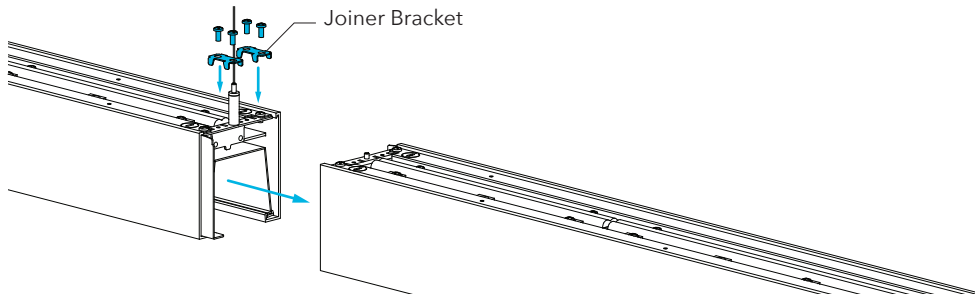


DO NOT SCREW THROUGH FIXTURE



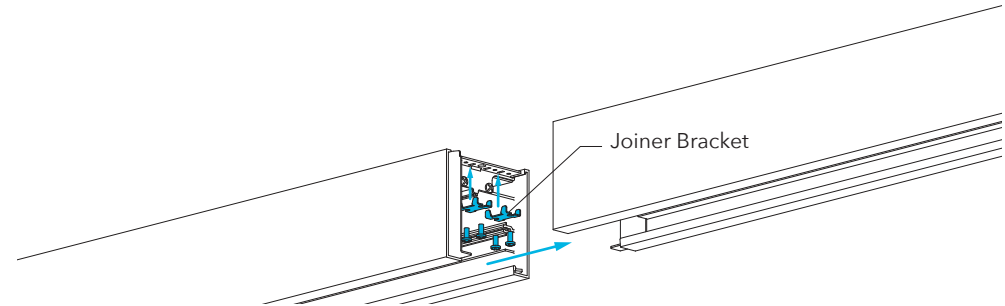
SUSPENDED JOINING

After first fixture in run is installed, remove joiner top cover from end of first fixture. Suspend second fixture at the opposite end (*gripper installation may be required*). Raise leading end of second fixture and make electrical connections between fixtures. Align to the second fixture and slide together. Secure fixtures together with supplied joiner brackets and screws. Ensure fixtures are level when joining.



SURFACE MOUNT JOINING

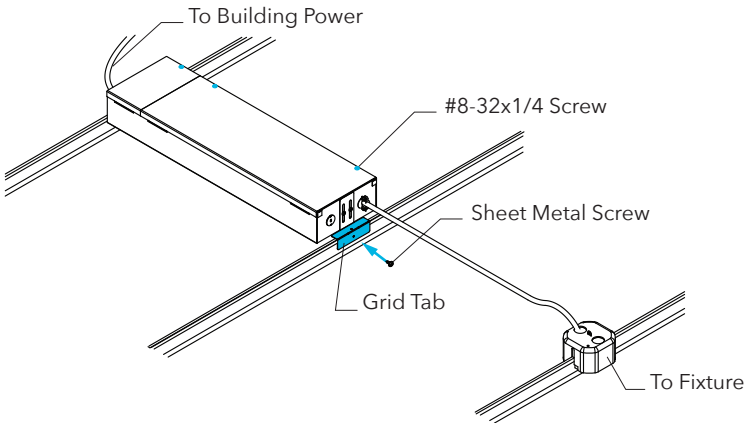
After first fixture in run is installed, secure opposite end of additional fixture with ¼-20 hardware. Raise leading end of additional fixture and make electrical connections between fixtures. Align to the second fixture and slide together. Secure fixtures together with supplied joiner brackets and screws. After fixtures are joined install reflectors, see previous page for details.





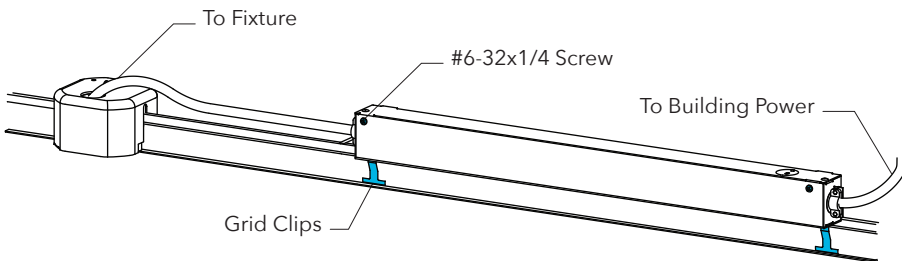
1 STANDARD REMOTE BOX TO GRID

Place Remote Driver Box onto grid and bend grid tabs over securing with #8 Sheet Metal Screw. To open remote box remove three #8-32x1/4 screws on top of box. Use 1/2" Trade Knock out on high voltage side to connect to building power. Use 2' long Flexwhip to bring power to J-Box.



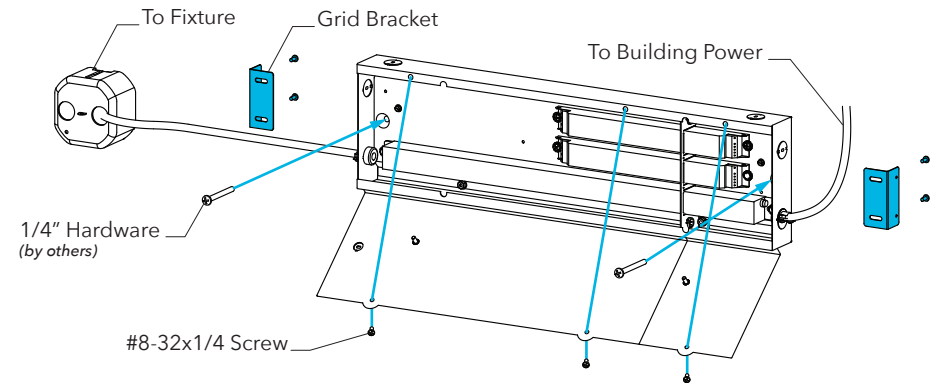
1 SLIM REMOTE BOX TO GRID

Install slim remote driver box onto grid using pre-installed grid clips. To open remote box remove two #6-32x1/4 screws on top of box. Use 1/2" trade knockout on high voltage side to connect to building power. Use 2' long Flexwhip to bring power to J-Box.



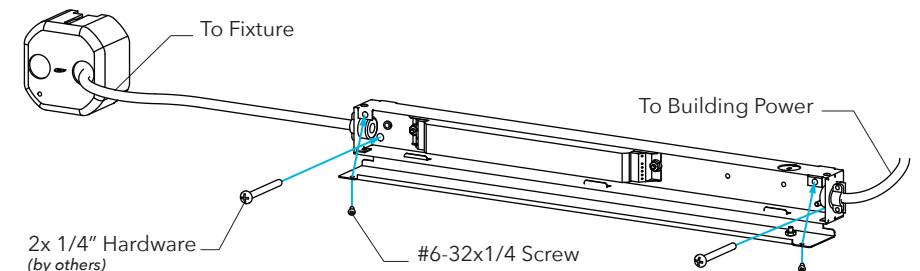
2 STANDARD REMOTE BOX TO SURFACE

Remove Grid Brackets on sides of Remote Driver Box. Open Remote Driver Box by removing three #8-32x1/4 screws on top of box. Install Remote Driver box to surface using 1/4" Mounting Hardware. Use 1/2" Trade Knock out on high voltage side to connect to building power. Use 2' long Flexwhip to bring power to J-Box.



2 SLIM REMOTE BOX TO SURFACE

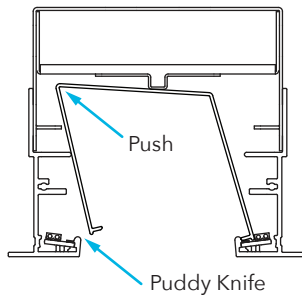
Remove two grid brackets on back of remote driver box. Open remote driver box by removing two #6-32x1/4 screws on top of box. Install remote driver box to surface using 1/4" mounting hardware (by others). Using 1/2" trade knockout on high voltage side connect to building power. Use 2' long Flexwhip to bring power to J-Box.





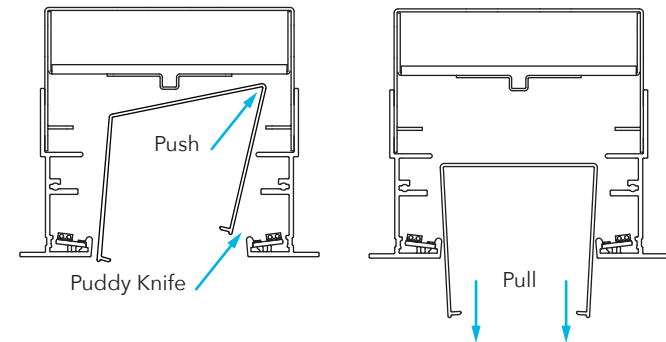
1 REMOVING THE REFLECTOR

Starting at one end of the fixture, push the reflector into the upper corner the housing allowing the leg of the reflector to come loose. Slide a pudgy knife along the bottom length of the fixture to fully free the leg of the reflector.



2 REMOVING THE REFLECTOR

Once the first leg is free repeat on the other side of the reflector. Once both legs are free from the fixture starting at one end pull straight down on the reflector working your way down the length of the fixture, be careful not to damage the reflector.



INSTALLING THE REFLECTOR

Starting at one end of the fixture, push the reflector into the opening of the housing until entirely inside. Starting on one side of the the reflector, push leg of reflector into place along entire length of reflector. Run finger along the Light Protection Guard (LPG) to make sure LPG is fully seated along the edge of the housing. Repeat on opposite leg of reflector.

