

EDGE EX3DI

3" Suspended Direct/Indirect Linear

Key Features

- Boards and driver are specifically for Indigo Clean®
- Indigo Clean® emits 405nm light which targets bacteria & produces intra-cellular Reactive Oxygen Species (ROS)
- Standard, white luminaire that provides on-demand disinfection when light is on
- Laboratory-tested disinfection
- Unlike UV disinfection, light is safe for occupants
- Proven effectiveness per independent lab test results
- Provides a cleaner, safer environment, even in areas normal cleaning doesn't reach



Example Part #: EX3DI-HE-HE-IC37-IC37-26'-AC48G1-U-ND-1-0-W



DIRECT SHIELDING	INDIRECT SHIELDING	DIRECT SOURCE	INDIRECT SOURCE
<p>---</p> <p>DIRECT SHIELDING</p> <p>HE - High Efficiency</p>	<p>---</p> <p>INDIRECT SHIELDING</p> <p>HE - High Efficiency</p>	<p>-----</p> <p>DIRECT SOURCE</p> <p>IC37__ - Indigo Clean LED, 3700K IC43__ - Indigo Clean LED, 4300K <i>Direct Source pg. 2</i></p>	<p>-----</p> <p>INDIRECT SOURCE</p> <p>IC37__ - Indigo Clean LED, 3700K IC43__ - Indigo Clean LED, 4300K <i>Indirect Source pg. 2</i></p>
LENGTH ¹	MOUNTING ²	VOLTAGE	DRIVER ³
<p>---</p> <p>__ - Individual Fixture ___ - Continuous Row <i>Length pg. 2</i></p>	<p>-----</p> <p>_AC__G_ - (M)AC to Grid _AC__JB - (M)AC to J Box _AC__ST - (M)AC to Structure WA - Wall Mount _AC5__G_ - 5" Non-Power Canopy _AC5__JB - 5" Non-Power Canopy _SQ__G_ - 5" Square Canopy _SQ__JB - 5" Square Canopy <i>Mounting pg. 3</i></p>	<p>--</p> <p>U - Universal <i>(120 thru 277V)</i> 1 - 120V 2 - 277V <i>Voltage pg. 3</i></p>	<p>---</p> <p>OL1 - Osram (10%, 0-10v) ND - Non-Dimming <i>Driver pg. 3</i></p>
CIRCUITING	BATTERY & EMERGENCY ⁴	FINISH	FIXTURE OPTIONS
<p>-</p> <p>1 - Single Circuit 2 - Dual Circuit M - Multi Circuit E - Emergency (<i>entire fixture</i>) N - Night Light (<i>entire fixture</i>) <i>Circuiting pg. 4</i></p>	<p>---</p> <p>0 - None _PLL - Philips Bodine 10W _ILL - Iota 10W _G - Philips Bodine GTD <i>Battery and Emergency pg. 4</i></p>	<p>---</p> <p>W - White S - Metallic Silver BL - Textured Black BR - Bronze GR - Graphite CC - Custom Color <i>Finish pg. 4</i></p>	<p>---</p> <p>AM - Antimicrobial Paint <i>Fixture Options pg. 4</i></p>

¹Individual fixtures come in 2', 4', 6' & 8' lengths. Continuous row come in 2' increments. ²Specify AC Cable: Standard single AC = AC or Movable AC = MAC; Specify AC length standard AC is 48"; Specify grid: G1=15/16" G9=9/16", GS=Screw Slot. Example: AC48G1. ³While we do offer dimmable driver options, please note that dimming is not recommended with Indigo-Clean fixtures as it can reduce the efficiency of disinfection. ⁴Enter quantity for Battery and Emergency, Example 2PL.

Specifications and dimensions subject to change without notice. Specification sheets that appear on pinnacle-ltg.com are the most recent version and supersede all other previously printed or electronic versions.



Direct Source¹

- 80 CRI = R9≥19

Indigo Clean LED

	Color	Watt <i>per foot</i>	Shielding HE High Efficiency	
			<i>Lumens/ft</i>	<i>LPW</i>
IC37LO	3700K	5.5	627	114.0
IC37HO	3700K	10.7	1152	107.7
IC43LO	4300K	5.5	642	110.2
IC43HO	4300K	10.7	1179	116.7

Indirect Source¹

- 80 CRI = R9≥19

Indigo Clean LED

	Color	Watt <i>per foot</i>	Shielding HE High Efficiency	
			<i>Lumens/ft</i>	<i>LPW</i>
IC37LO	3700K	5.5	670	120.0
IC37HO	3700K	10.7	1230	113.3
IC43LO	4300K	5.5	670	121.8
IC43HO	4300K	10.7	1230	115.0

¹LPW and watts/ft based off 48" fixture size.

Length

- For Continuous Runs, add 3/16" (4.7mm) for each end plate or 3/8" (9.5mm) to the overall length of the row
- Individual fixtures come in 2', 4', 6' & 8' lengths. Continuous rows come in 2' increments.

2	4	6	8	–
Indiv. Fixture	Indiv. Fixture	Indiv. Fixture	Indiv. Fixture	Cont. Run
24-3/8" (619.1mm)				Specify nominal overall row length to the 2'
	48-3/8" (1228.7mm)			
		72-3/8" (1838.3mm)		
			96-3/8" (2447.9mm)	

Specify to the 2' >>>

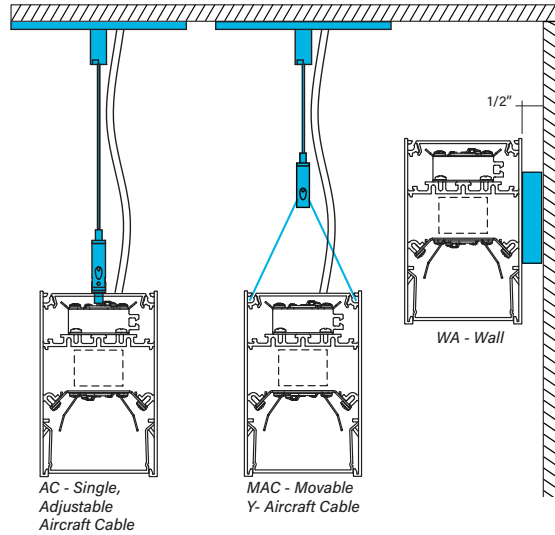


Mounting

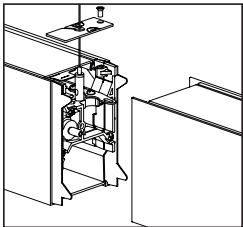
- Specify cable length in ordering code (AC48G1)
- Standard specifiable lengths are 48", 120", 240" and 350"
- End plates and power cord attached at factory
- Aircraft cable (AC) mounts on 4' (1219.2mm) and 8' (2438.4mm) centers
- Maximum recommended movable mounting locations are 12" from end of 4' fixture and 18" from end of 8' fixture
- Aircraft Cable supplied with 5" (127mm) power and 2" (50.8mm) non-power canopies

- Canopies and pendants match fixture finish, power cords are white, grey, or black depending on fixture finish. See Finish section for additional details.
- Approved for dry/damp location unless otherwise noted
- Refer to installation instructions during installation at the job site
- Maximum fixture weight is 25 lbs for a standard 4' fixture
- AC_GS and MAC_GS - works with screw slot and bolt slot grid ceiling types
- Wall Mount - ADA Compliant, bracket is 1/2" off wall
- MAC options not available with HEA lens option
- MAC options not available with HEA lens option

AC_G1	Aircraft Cable 1" (15/16") T-Bar
AC_G9	Aircraft Cable 9/16" T-Bar
AC_GS	Aircraft Cable Screw Slot T-Bar
AC_JB	Aircraft Cable Junction Box
AC_ST	Aircraft Cable Structure
AC5_G	Aircraft Cable 5" (127mm) Non-Power Canopy
AC5_JB	Aircraft Cable 5" (127mm) Non-Power Canopy
SQ_G	Aircraft Cable 5" (127mm) Square Canopy
SQ_JB	Aircraft Cable 5" (127mm) Square Canopy
MAC_G1	Moveable AC 1" (15/16") T-Bar
MAC_G9	Moveable AC 9/16" T-Bar
MAC_GS	Moveable AC Screw Slot T-Bar
MAC_JB	Moveable AC Junction Box
MAC_ST	Moveable AC Structure
MAC5_G	Moveable AC 5" (127mm) Non-Power Canopy
MAC5_JB	Moveable AC 5" (127mm) Non-Power Canopy
MSQ_G	Moveable AC 5" (127mm) Square Canopy
MSQ_JB	Moveable AC 5" (127mm) Square Canopy
WA	Wall Mount



Straight EDGE Joint System



- The Straight EDGE Joint comes standard for all runs.
- Two connection points - one to cinch fixtures together, the other to perfectly align all fixtures in a run.
- Factory-installed light shields on both sides of the fixture ensure no light leaks.
- Patented.

Voltage

- Some EX3DI configurations will not accommodate all voltage options; consult with factory

U	Universal
1	120 volt
2	277 volt

Driver

- Standard Driver Option = ND
- Driver Lifetime: 50,000 hours at 25°C ambient operating conditions
- For more driver options see Pinnacle Resource Guide
- Some EX3DI configurations will not accommodate all driver options; consult with factory

OL1	Osram Optotronic 10%, 0-10v
ND	Non-Dimming



How to specify Circuiting, Battery and Emergency

- 1**
- Select fixture circuiting from options below
 - Some EX3DI configurations will not accommodate all circuiting options, consult with factory

Circuiting

1	Single Circuit
2	Dual Circuit
M	Multi Circuit
E	Emergency Circuit only
N	Night Light Circuit only

- 2** + **3**
- Battery and emergency section options are available in addition to fixture circuit
 - Select battery and emergency section options below; factory shop drawing required
 - Some EX3DI configurations will not accommodate all circuiting options, consult with factory

Battery and/or Emergency If Required

0	No battery or specific emergency section required
----------	---

Battery

- Select battery section type if required, indicate total QTY. *Example 2PL*
- 90 minute battery runtime; test button is remote to fixture and requires an additional drop
- No battery option available for 2' or 3' lengths
- Entire direct fixture housing is on battery for lengths up to 5'
- Half of direct fixture is on battery for 6' or 8' housing lengths
- For more battery options available, see Pinnacle Resource Guide

For Approximate Battery Lumen Output

- Multiply battery wattage X fixture LPW shown on Lumen Table
- $92.3 \text{ (LPW)} \times 10 \text{ (watts)} = 923 \text{ battery lumen output}$

0	No battery
_PLL	Bodine 10w Integral Lithium Self Testing (low profile)
_ILL	Iota 10w Integral Lithium Self Testing (low profile)

Emergency

- Select emergency section type if required, indicate total QTY. *Example 1E*
- Combine battery and emergency section ordering codes if both options are selected

_E	Emergency circuit section
_N	Night Light circuit section
_L	Life Safety circuit section NO THROUGH WIRE
_G	Philips Bodine GTD, Generator Transfer Device section

Battery OR Emergency Ordering Examples

- Single circuit, 10w Integral Battery Ordering Code: 1-1PL
- Emergency only, 10w Integral Battery Ordering Code: E-1PL
- Single circuit, GTD required Ordering Code: 1-1G

Combination Section Ordering Examples

- Single circuit, (1) 10w battery, (1) emergency section Ordering Code: 1-1PL1E
- Multi circuit, (2) 10w battery, (2) emergency sections Ordering Code: M-2PL2E
- Single circuit, (1) night light section Ordering Code: 1-1N

Finish

- Standard powder-coat textured white, metallic silver, textured black, graphite or bronze painted finish; consult factory for chip of standard paint finishes
- Selecting a fixture finish other than white may impact lumen output; consult factory for more information

W	White (<i>white cord/white canopy</i>)
S	Metallic Silver (<i>grey cord/silver canopy</i>)
BL	Textured Black (<i>black cord/black canopy</i>)
BR	Bronze (<i>white cord/bronze canopy</i>)
GR	Graphite (<i>white cord/graphite canopy</i>)
CC	Custom Color (<i>white cord/color match canopy</i>)

Fixture Options

- Additional options to enhance the fixture and finish of the product

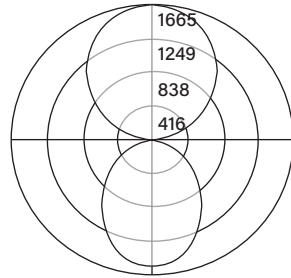
AM	Antimicrobial Paint
-----------	---------------------



Photometrics

Satine Lens - Open

Test # Scaled from ITL93370 & ITL93374
 Catalog # EX3DI-HE-HE-IC43HO-IC43HO-4
 Lumens 7759 lm
 Watts 74.4 W
 Efficacy 104 LPW



Candela Distribution

Vert Angle	Horizontal Angle				
	0	22.5	45	67.5	90
0	1558	1558	1558	1558	1558
5	1549	1548	1546	1544	1544
15	1474	1459	1447	1429	1419
25	1326	1294	1264	1222	1202
35	1122	1083	1030	970	947
45	885	847	784	725	701
55	642	611	555	506	488
65	413	392	350	317	306
75	208	193	175	157	152
85	49	46	41	39	38
90	0	0	0	0	0
95	65	66	66	65	64
105	254	254	256	254	255
115	491	488	488	488	489
125	746	736	738	736	736
135	1001	987	992	985	985
145	1244	1227	1233	1226	1222
155	1446	1427	1438	1428	1426
165	1585	1575	1580	1576	1575
175	1654	1654	1654	1653	1653
180	1665	1665	1665	1665	1665

Luminance Data (cd/sq.m)

Angle In Degrees	Average		
	0-Deg	45-Deg	90-Deg
45	13595	12044	10769
55	12158	10511	9242
65	10615	8996	7865
75	8730	7345	6379
85	6107	5110	4736

For all available IES files, please visit our website at pinnacle-ltg.com. Photometry testing in accordance to IESNA-LM-79-08 at an NVLAP accredited testing laboratory. Testing conducted at 25°C ambient conditions

Applications & Certificates

Construction: 6063-T6 Extruded aluminum housing. Highly reflective steel white painted reflector.

Shielding: Diffuse snap-in acrylic lens, removable for maintenance.

Mounting: Aircraft cable and wall mount available. Select from 2 aircraft cable options. Select the straight aircraft cable that mounts on 4'-0" (1219.2mm) and 8'-0" (2438.4mm) centers or the moveable adjustable Y-cable mount. The Y-Cable design allows for adjustable mounting locations. Aircraft Cable supplied with 5" (127mm) power and 2" (50.8mm) non-power canopies. Refer to installation instructions for appropriate ceiling detail. Canopies are painted white unless otherwise specified. Maximum fixture weight is 20 lbs. for a standard 4' fixture.

Indigo Clean LED: Spectrum focused lighting for continuous environmental disinfection. 25°C test environment. Lumen output/wattage has a margin of +/- 5%. All luminaire configurations tested in accordance with IES LM-79. Diodes tested in accordance with IES LM-80. Lifetime calculated using IES TM-21. Minimum lifetime greater than 60,000 hours. L70 = 80,000 hours. MacAdam 3-Step Ellipses. Not all products are lighting facts listed. For all available IES files, please visit our website at pinnacle-ltg.com.

Voltage: Universal (U), 120 volt (1) and 277 volt (2) options available. Some EDGE configurations will not accommodate all voltage options; consult with factory.

Driver: Standard Driver Option is Osram Optronic Non-dimming = ND. Electronic driver, Power factor is >0.9 with a THD <20%. Driver Lifetime: 50,000 hours at 25°C ambient operating conditions. Ambient operating range: -20°F/-30°C to 120°F/49°C. For more driver options, see Pinnacle Resource Guide. Some EDGE configurations will not accommodate all driver options.

Circuiting: Select from single circuit (1), Multi circuit - For multiple circuiting and zone control, requires factory shop drawing (M), Emergency circuit (E), Life Safety (L) or Night Light circuit (N). For emergency circuiting situations that require no through wire or circuit separation, Life Safety Circuit should be selected. This will provide a separate power feed and only the Life Safety Circuit in that section. Some EDGE configurations will not accommodate all circuiting options; consult with factory.

Battery & Emergency: Select battery or emergency options if required. If battery or emergency option is not required, enter 0. Battery duration is 90 minutes as standard. Test button location dependant on configuration, consult factory. For more Battery options, see Pinnacle Resource Guide.

Finish: Standard powder-coat textured white, metallic silver, textured black, graphite or bronze painted finish; consult factory for chip of standard paint finishes or for additional custom color and finish options.

Controls: Pinnacle is able to accommodate different control solutions from different manufacturers. Consult Factory for more information.

Labels: ETL listed conforming to UL 1598 and CSA 250. Standard, HO and VHO lumen packages are IC Rated, approved for dry/damp location unless otherwise noted.

Fixture Weight: Maximum fixture weight is 25lbs per 4' fixture.

Buy American Act Compliant

Warranty: EDGE LED offered with a 5-year limited warranty. Covers LED, driver and fixture.