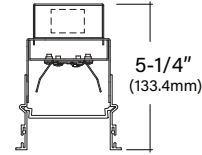


EDGE ET4D

4" Recessed Linear EDGE Techx for Integrated Ceiling Systems



Key Features

- Extruded aluminum trim with formed cold rolled 18 gauge steel back box housing
- Highly reflective white painted steel reflector
- 5-year limited warranty covers LED, driver and fixture
- UL and cUL listed. IC rated
- Approved for dry/damp location unless otherwise noted
- Maximum fixture weight is 15lbs per 4ft fixture
- Room-Side Maintenance for LED system
- Buy American Act compliant



Example Part #: ET4D-HE-830HO-26'-G1-U-OL1-1-0-W



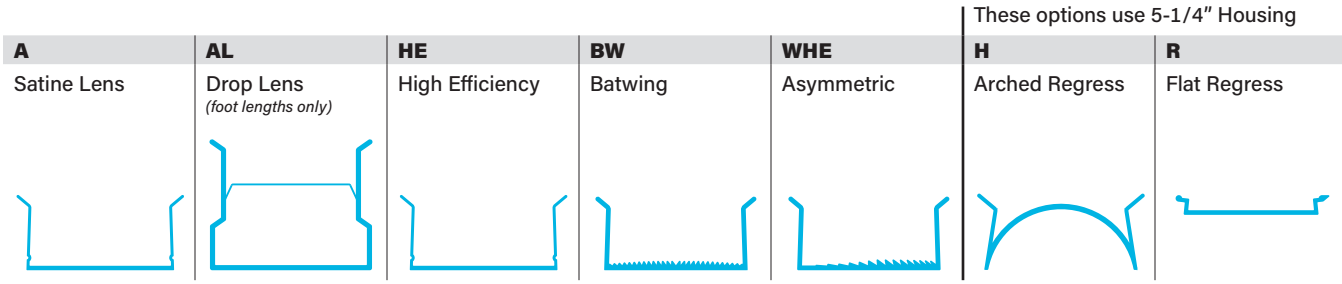
SHIELDING	CRI, CCT & OUTPUT	LENGTH OR PATTERN ¹	MOUNTING ²
A - Satine Lens HE - High Efficiency Lens BW - Batwing WHE - Asymmetric AL - Drop Lens H - Arched Regress Lens R - Regress Lens <i>Shielding pg. 2</i>	_27_ - 2700K _30_ - 3000K _35_ - 3500K _40_ - 4000K CL - Custom Lumens CW - Custom Watts <i>Lumen Output pg. 2</i> <i>Example: 830HO is 8 = 80 CRI; 30 = 3000K; HO = High Output; Blank = Standard Output</i>	_ - Individual Fixture _ - Continuous Row L_x - L Shape R_x - Rectangle S - Square U_x - U Shape T_x - U Shape X_x_x - U Shape M - Mod Layout <i>Length and Pattern pg. 2-3</i>	G1(G) - 1" (15/16") T Bar G9(G) - 9/16" T Bar GB(G) - 9/16" Bevel T Bar GS(G) - Screw Slot T Bar <i>Mounting pg. 3</i>
VOLTAGE	DRIVER	CIRCUITING	BATTERY & EMERGENCY ³
U - Universal <i>(120 thru 277V)</i> 1 - 120V 2 - 277V 3 - 347V <i>Voltage pg. 4</i>	OL2 - Osram (1%, 0-10v, standard) OL3 - Osram 347v (10%, 0-10v) EE1 - eldoLED ECOdrive (1%, 0-10v) ES1 - eldoLED SOLOdrive (0%, 0-10v) LH1 - Lutron Hi-lume (1%, EcoSystem) L51 - Lutron 5-Series (5%, EcoSystem) PL2 - Advance Xitanium (1%, 0-10v) PS1 - Advance Xitanium (50%/100%) ND - Non-Dimming <i>Driver pg. 4</i>	1 - Single Circuit M - Multi Circuit E - Emergency <i>(entire fixture)</i> N - Night Light <i>(entire fixture)</i> <i>Circuiting pg. 4</i>	0 - None _P - Bodine 10W _I - Iota 10W _IC - Iota 10W (CEC Listed) _A - Acuity Power Sentry 10W _E - Emergency Circuit Section _N - Night Light Circuit Section _L - Life Safety Circuit Section _G - Bodine GTD <i>Battery and Emergency pg. 4</i>
FINISH	FIXTURE OPTIONS	CONTROLS ⁴	
W - White S - Metallic Silver BL - Textured Black BR - Bronze GR - Graphite CC - Custom Color <i>Finish pg. 5</i>	CP - Chicago Plenum LMRA - Adjustable MR16 (LED) XLED - Fixed Xicato LED GLR - Internal Fast Blow Fuse <i>Fixture Options pg. 5</i>	NLIGHT - Acuity nLight (wired) DLMFC - Wattstopper DLM (wired) <i>Controls pg. 5</i>	

¹Individual fixtures come in 2', 3', 4', 5', 6', 7' & 8' lengths. Continuous row come in 1/8" increments. For Patterns specify pattern shape and overall dimensions. Example: L6x4: L pattern that is 6'x4'. ²Specify mounting for individual or continuous length: G1, G9, GS, FL, NF & SF for continuous rows, G1G, G9G, GSG, FLF, NFN & SFS for individual lengths. ³Enter quantity for Battery and Emergency, Example 2P. ⁴Controls can only be used with Single Circuit (1) or Emergency Circuit (E), cannot be used with any battery options. See Controls chart on page 5 for driver options and more information.

Specifications and dimensions subject to change without notice. Specification sheets that appear on pinnacle-ltg.com are the most recent version and supersede all other previously printed or electronic versions.



Shielding



CRI, CCT & Output

- Specify either 80 or 90 CRI
- Longer lead-time may apply for 90 CRI. Consult factory
- 80 CRI = R9≥19 and 90 CRI = R9≥61
- QuickShip available for: "A" lens, 80 CRI, all color temperature, and all lumen packages

Custom Output - Lumens OR Wattage

CL _____	Specify CRI, CCT and desired lumens (i.e. CL835500)	Specify lumens between standard offering listed below. Lumens are specified per color temp
CW _____	Specify CRI, CCT and desired wattage (i.e. CW9407)	Specify watts between standard offering listed below

80 CRI

	Color	Lumens per foot	Shielding ¹															
			A Satine		AL Drop		HE High Efficiency		BW Batwing		WHE Asymmetric		HED Descent Lens		H Arched Regress		R Regress	
			LPW	Watts/ft	LPW	Watts/ft	LPW	Watts/ft	LPW	Watts/ft	LPW	Watts/ft	LPW	Watts/ft	LPW	Watts/ft	LPW	Watts/ft
830	3000K	500	94.1	5.3	117	4.3	108	4.6	106	4.7	101	4.9	104	4.8	85	5.9	92	5.4
830HO	3000K	750	90.2	8.3	114	6.6	106	7.1	104	7.2	99	7.6	102	7.4	82	9.1	88	8.5
830VHO	3000K	1000	N/A		111	9.0	105	9.5	103	9.7	98	10.2	100	10.0	N/A		N/A	
835	3500K	500	96.6	5.2	121	4.1	111	4.5	109	4.6	104	4.8	107	4.7	85	5.9	92	5.4
835HO	3500K	750	93.7	8.0	118	6.3	109	6.9	107	7.0	102	7.4	106	7.1	82	9.1	88	8.5
835VHO	3500K	1000	N/A		115	8.7	105	9.5	107	9.4	100	10.0	104	9.6	N/A		N/A	
840	4000K	500	98.5	5.1	121	4.1	113	4.4	111	4.5	107	4.7	110	4.6	89	5.6	96	5.2
840HO	4000K	750	95.7	7.8	121	6.2	111	6.7	109	6.9	104	7.2	107	7.0	87	8.7	93	8.0
840VHO	4000K	1000	94.2	10.6	117	8.5	108	9.3	105	9.5	103	9.7	106	9.4	N/A		N/A	

90 CRI

927	2700K	500	76.7	6.5	96	5.2	88	5.7	86	5.8	83	6.0	85	5.9	70	7.1	75	6.7
927HO	2700K	750	75.5	9.9	94	8.0	86	8.7	84	8.9	80	9.4	83	9.0	N/A		74	10.2
930	3000K	500	80.2	6.2	101	4.9	94	5.3	92	5.4	86	5.8	89	5.6	74	6.8	78	6.4
930HO	3000K	750	79.9	9.4	100	7.5	91	8.3	89	8.5	84	8.9	87	8.6	N/A		78	9.6
935	3500K	500	82.3	6.1	105	4.8	97	5.2	95	5.3	90	5.6	94	5.3	76	6.5	81	6.1
935HO	3500K	750	80.4	9.3	103	7.3	94	7.9	92	8.1	88	8.6	90	8.3	75	10.0	81	9.3
940	4000K	500	84.6	5.9	108	4.6	99	5.0	97	5.1	93	5.4	95	5.2	78	6.4	83	6.0
940HO	4000K	750	82.6	9.1	106	7.1	97	7.7	95	7.9	90	8.4	93	8.1	77	9.7	81	9.3

Length

- All individual units cannot be joined, end trims are factory installed and cannot be removed
- Refer to Pattern section for specification and ordering options
- Continuous Rows are made up of even and odd length fixtures; designed to fall on-grid

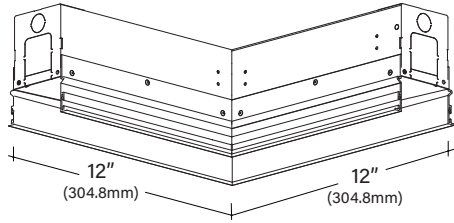
2	3	4	5	6	7	8	—
Indiv. Fixture	Indiv. Fixture	Indiv. Fixture	Indiv. Fixture	Indiv. Fixture	Indiv. Fixture	Indiv. Fixture	Cont. Run
23" (584.2mm)							Specify nominal overall row length to the 1/8"
	35" (889mm)						
		47" (1193.8mm)					
			59" (1498.6mm)				
				71" (1803.4mm)			
					83" (2108.2mm)		
						95" (2413mm)	
							Specify to the 1/8" >>>

¹LPW and watts/ft based off 47" fixture size.

Specifications and dimensions subject to change without notice. Specification sheets that appear on pinnacle-ltg.com are the most recent version and supersede all other previously printed or electronic versions.

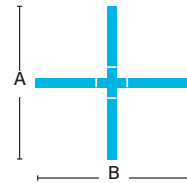
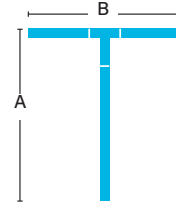
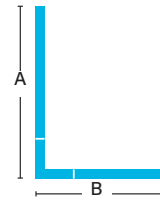
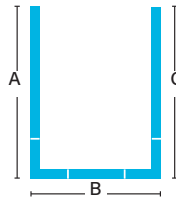
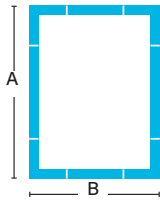
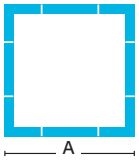


Pattern

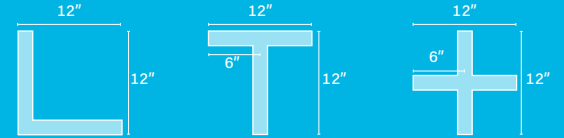


- Specify pattern shape and overall dimensions (includes corner dimensions)
- 90 degree horizontal corners are 12"x12" (overall, outside dimension)
- Angles and shapes not shown require Mod Pattern; consult factory
- Not all drivers available with all patterns; consult factory
- Only available with A or HE Lenses

S_	R_x	U_x_x	L_x	T_x	X_x	M
Square Provide A dimension Example: S4' Nominal Length- 4'x4' Minimum Length- 3'11"x3'11"	Rectangle Provide AxB dimensions Example: R4'x4' Nominal Length- 4'x4' Minimum Length- 3'11"x3'11"	U-Shape Provide AxBxC dimensions Example: U3'x4'x3' Nominal Length- 3'x4'x3' Minimum Length- 2'11"x3'11"x2'11"	L-Shape Provide AxB dimensions Example: L3'x3' Nominal Length- 3'x3' Minimum Length- 2'11"x2'11"	T-Shape Provide AxB dimensions Example: T3'x5' Nominal Length- 3'x5' Minimum Length- 2'11"x4'10"	X-Shape Provide AxB dimensions Example: X5'x5' Nominal Length- 5'x5' Minimum Length- 4'10"x4'10"	ModLayout For patterns or lengths not shown or standard



Horizontal Details; Every Connection is 12" x 12" in Overall Dimension



Mounting

- Individual Units, specify G_G, FLF, SFS, NFN
- Continuous Units, specify G_FL, SF, NF
- Individual units cannot be joined, end trims are factory installed and cannot be removed
- Designed to install into acoustical grid and inaccessible ceilings
- Grid retention brackets integral to housing and require mechanical attachment
- Each housing contains 4 grid retention brackets
- Tie off fixture to structure with retention wires
- Approved for dry/damp location unless otherwise noted

G1G Individual Unit	G9G	GBG	GSG
G1 Continuous Run or Pattern 1" (15/16") T-Bar	G9 9/16" T-Bar For tegular tile installations, fixture position will not be flush to the bottom of the tile	GB 9/16" T-Bar Rail has bevel edge details. For tegular tile installations, fixture position will be flush to the bottom of the tile	GS Screw Slot & 9/16" T-Bar For 9/16" installations with tegular tile, fixture position will be flush to the bottom of the tile
 Standard Tile	 Standard Tile	 Tegular Tile	 Tegular Tile
 Tegular Tile	 Tegular Tile	 Tegular Tile	 Tegular Tile

Specifications and dimensions subject to change without notice. Specification sheets that appear on pinnacle-ltg.com are the most recent version and supersede all other previously printed or electronic versions.

Designed in Denver, CO - USA | pinnacle-ltg.com | O: 303-322-5570 F: 303-322-5568

ET4D_LED_SPEC_FEB2021



Voltage

- Some EV3D configurations will not accommodate all voltage options; consult with factory

U	Universal
1	120 volt
2	277 volt
3	347 volt

Driver

- Standard Driver Option = OL2
- Driver Lifetime: 50,000 hours at 25°C ambient operating conditions
- For more driver options see Pinnacle Resource Guide
- Some EV3D configurations will not accommodate all driver options; consult with factory

OL2	Osram Optotronic 1%, 0-10v, nominal 1% dimming range
OL3	Osram Optotronic 347v 10%, 0-10v, requires 347v option
EE1	eldoLED ECOdrive 1%, 0-10v Logarithmic
EE2	eldoLED ECOdrive 1%, 0-10v Linear
ES1	eldoLED SOLOdrive 0%, 0-10v Logarithmic
ES2	eldoLED SOLOdrive 0%, 0-10v Linear
LH1	Lutron Hi-lume Soft-on, Fade-to-black 1%, EcoSystem, LDE1
L51	Lutron 5-Series 5%, EcoSystem, LDE5
PL2	Advance Xitanium 1%, 0-10v
PS1	Advance Xitanium Step Dimming 50%/100%
ND	Non-Dimming

How to specify Circuiting, Battery and Emergency

- 1**
- Select fixture circuiting from options below
 - Some EV3D configurations will not accommodate all circuiting options, consult with factory

Circuiting

1	Single Circuit
M	Multi Circuit
E	Emergency Circuit only
N	Night Light Circuit only

- 2** + **3**
- Battery and emergency section options are available in addition to fixture circuit
 - Select battery and emergency section options below; factory shop drawing required
 - Some EV3D configurations will not accommodate all circuiting options, consult with factory

Battery and/or Emergency *If Required*

- 0** No battery or specific emergency section required

Battery

- Select battery section type if required, indicate total QTY. *Example 2P*
- 90 minute battery runtime; test button is remote
- No battery option available for 2' & 3' lengths
- Entire fixture is on battery for lengths up to 5'
- Half of fixture is on battery for 6' or 8' housing lengths
- For more battery options available, see Pinnacle Resource Guide

0	No battery
_P	Bodine 10w Integral
_I	Iota 10w Integral
_IC	Iota 10w Integral <i>CEC Listed</i>

Emergency

- Select emergency section type if required, indicate total QTY. *Example 1E*
- Combine battery and emergency section ordering codes if both options are selected

_E	Emergency circuit section
_N	Night Light circuit section
_L	Life Safety circuit section NO THROUGH WIRE
_G	Bodine GTD, Generator Transfer Device section

Battery OR Emergency Ordering Examples

- Single circuit, 10w Integral Battery Ordering Code: 1-1P
- Emergency only, 10w Integral Battery Ordering Code: E-1P
- Single circuit, GTD required Ordering Code: 1-1G

Combination Section Ordering Examples

- Single circuit, (1) 10w battery, (1) emergency section Ordering Code: 1-1P1E
- Multi circuit, (2) 10w battery, (2) emergency sections Ordering Code: M-2P2E
- Single circuit, (1) night light section Ordering Code: 1-1N

For Approximate Battery Lumen Output

- Multiply battery wattage X fixture LPW shown on Lumen Table
- 92.3 (LPW) x 10 (watts) = 923 battery lumen output



Finish

- Standard powder-coat textured white, metallic silver, textured black, graphite or bronze painted finish; consult factory for chip of standard paint finishes
- Selecting a fixture finish other than white may impact lumen output; consult factory for more information

W	White
S	Metallic Silver
BL	Textured Black
GR	Graphite
BR	Bronze
CC	Custom Color

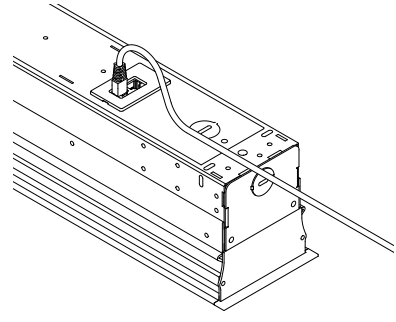
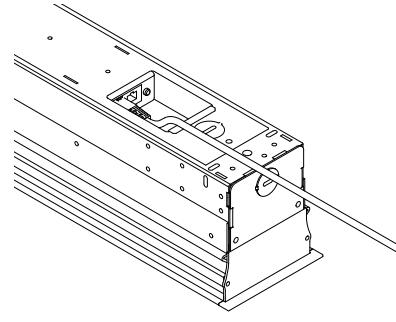
Fixture Options

- Additional options to enhance the fixture and finish of the product
- Consult factory for MR16 configurations

CP	Chicago Plenum
LMRA	Adjustable MR16 LED <i>(not available with U voltage)</i>
XLED	Fixed Xicato LED
GLR	Internal Fast Blow Fuse

Controls

- Pinnacle Lighting offers easy to specify network control solutions that connect to an intelligent centralized system to maximize lighting energy efficiencies or integral sensors for individual fixture control
- Pinnacle Lighting fixtures ship technology ready for quick onsite connections
- Controls can only be used with Single Circuit (1) or Emergency Circuit (E), only NLIGHT option available with a battery (A)
- Contact factory for any non-standard configurations for layout or placement

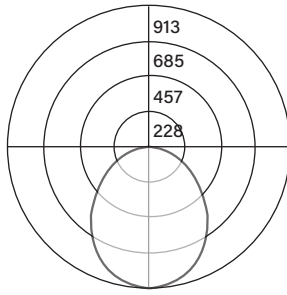
	DLMFC	NLIGHT										
Solution	Legrand Wattstopper DLM	Acuity nLight										
Description	Wattstopper Digital Lighting Management (DLM) utilizes wired network connections with Plug n'Go capability for digital control of individual lighting fixtures through switching, dimming or occupancy/daylighting harvesting feedback.	nLight utilizes wired network connections to create a system of distributed intelligence for digital control of individual lighting fixtures through time, daylight, sensor or manual control schemes.										
Components	LMFC-011	nIO EZ PH or nIO EZ PH ER										
Network Type	Digital Lighting Management (DLM)	nLight										
Connection	Wired, two RJ45 ports <i>(Cat5 cable supplied by others)</i>	Wired, two RJ45 ports <i>(Cat5 cable supplied by others)</i>										
Required Drivers	<table border="1"> <tr> <td>OL1</td> <td>Osram Optotronic 10%, 0-10v</td> </tr> <tr> <td>OL2</td> <td>Osram Optotronic 1%, 0-10v</td> </tr> <tr> <td>OL3</td> <td>Osram Optotronic 10%, 0-10v, 347v only</td> </tr> </table>	OL1	Osram Optotronic 10%, 0-10v	OL2	Osram Optotronic 1%, 0-10v	OL3	Osram Optotronic 10%, 0-10v, 347v only	<table border="1"> <tr> <td>EE2</td> <td>eldoLED ECoDrive, 1%, 0-10v</td> </tr> <tr> <td>ES2</td> <td>eldoLED SOLOdrive, 0%, 0-10v</td> </tr> </table>	EE2	eldoLED ECoDrive, 1%, 0-10v	ES2	eldoLED SOLOdrive, 0%, 0-10v
OL1	Osram Optotronic 10%, 0-10v											
OL2	Osram Optotronic 1%, 0-10v											
OL3	Osram Optotronic 10%, 0-10v, 347v only											
EE2	eldoLED ECoDrive, 1%, 0-10v											
ES2	eldoLED SOLOdrive, 0%, 0-10v											
Voltage Limitations	None	Not available with 347 volt										
Sample Part #	EV3D-HE-830-26'-G1-U- OL1-1-0-W-DLMFC	EV3D-HE-830-26'-G1-U- EE2-1-0-W-NLIGHT										
Access Location												



Photometrics

Satine Lens

Test #	ITL89785
Catalog #	EV3D-HE-840-4
Lumens	2074 lm
Watts	19.4 w
Efficacy	106.9 LPW



Candela Distribution

Vert Angle	Horizontal Angle				
	0	22.5	45	67.5	90
0	913	913	913	913	913
5	905	907	906	906	906
15	862	857	853	842	837
25	777	762	747	726	714
35	657	638	612	581	567
45	520	501	470	439	428
55	378	363	335	309	300
65	244	234	213	196	191
75	122	118	107	99	97
85	29	28	26	24	24
90	0	0	0	0	0

Luminance Data (cd/sq.m)

Angle In Degrees	Average 0-Deg	Average 45-Deg	Average 90-Deg
45	8077	7300	6648
55	7238	6414	5744
65	6341	5535	4964
75	5177	4540	4116
85	3654	3276	3024

For all available IES files, please visit our website at pinnacle-ltg.com. Photometry testing in accordance to IESNA-LM-79-08 at an NVLAP accredited testing laboratory. Testing conducted at 25°C ambient conditions

Applications & Certificates

Construction: Formed cold-rolled 18 gauge steel housing. Highly reflective die-formed white painted steel reflector.

Shielding: Diffuse snap-in acrylic lens, removable for maintenance.

Mounting: EDGE is designed to install into acoustical grid and inaccessible ceilings. Specify GXG, FLF, SFS, NFN for individual, unjoinable units (individual units will fall on-grid). Specify GX, FL, SF, NF for continuous runs (runs designed to fall on-grid). Consult factory for detailed installation instructions. Maximum fixture weight is 15lbs per 4' fixture.

LED: 25°C test environment. Lumen output/wattage has a margin of +/- 5%; 2' or 3' lengths may have a greater wattage deviation. All luminaire configurations tested in accordance with IES LM-79. Diodes tested in accordance with IES LM-80. Lifetime calculated using IES TM-21. Minimum lifetime greater than 60,000 hours. Lifetime Projection L70 = 125,600 hours and L90 = 37,400 hours. MacAdam 3-Step Ellipses. Not all products are Lighting Facts listed. For all available IES files, please visit our website at pinnacle-ltg.com.

CRI, CCT & Lumen Output: Three lumen packages available. Standard, High (HO) and Very High (VHO). Custom outputs are available. Specify custom lumens or watts between standard offering listed on CRI, CCT & Output page. 80 CRI is available for 3000K, 3500K, and 4000K. 90 CRI is available for 2700K, 3000K, 3500K, and 4000K. 80 CRI = R9≥19 and 90 CRI = R9≥61.

Voltage: Universal (U), 120 volt (1), 277 volt (2) and 347 volt (3) options available. Must specify OL3 in Driver section when 347 volt (3) is selected. Some EDGE configurations will not accommodate all voltage options; consult with factory.

Driver: Standard Driver Option is Osram 0-10V, 1% = OL2. Electronic driver, Power factor is >0.9 with a THD <20%. Driver Lifetime: 50,000 hours at 25°C ambient operating conditions. Ambient operating range: -20°F/-30°C to 83°F/28°C. For more driver options, see Pinnacle Resource Guide. Some EDGE configurations will not accommodate all driver options.

Circuiting: Select from single circuit (1), Multi circuit - For multiple circuiting and zone control, requires factory shop drawing (M), Emergency circuit (E), Life Safety (L) or Night Light circuit (N). For emergency circuiting situations that require no through wire or circuit separation, Life Safety Circuit should be selected. This will provide a separate power feed and only the Life Safety Circuit in that section. Some EDGE configurations will not accommodate all circuiting options; consult with factory.

Battery & Emergency: Select battery or emergency options if required. If battery or emergency option is not required, enter 0. Battery duration is 90 minutes as standard. Test button is remote to fixture. For more Battery options, see Pinnacle Resource Guide.

Finish: Standard powder-coat textured white, metallic silver, textured black, graphite or bronze painted finish; consult factory for chip of standard paint finishes or for additional custom color and finish options.

MR16: Ideal for conference rooms, corridors, wall washing, retail spaces and training facilities where accent lighting is required. Fully enclosed compartment eliminates light from entering into our fixture areas. LED lamps are not included. Consult factory for other lamp types. Standard 60 watt max LED electronic transformer (120v or 277v), MR16 installed as an independent circuit. MR16 to match fixture voltage. 277v dimmer must be sourced. Consult factory for MR16 configurations. Pinnacle's MR16 applications are to be used with Soraa lamps with a maximum of 13 transformers on one circuit.

Labels: UL and cUL Listed. Standard, HO and VHO lumen packages are IC Rated, approved for dry/damp location unless otherwise noted.

Fixture Weight: Maximum fixture weight is 15lbs per 4' fixture.

Buy American Act Compliant

Warranty: EDGE LED offered with a 5-year limited warranty. Covers LED, driver and fixture.