



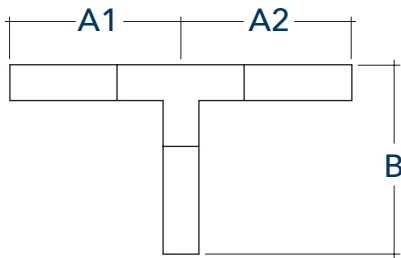
EDGE EX1 | EX1B | EX12 | EX12N

PATTERN WORKSHEET FOR "T" AND "X" CONNECTORS

HOUSING	DIRECT SHIELDING	INDIRECT SHIELDING
EX1 - EDGE EX1 EX1B - Bidirectional EDGE EX1 EX12 - Direct EDGE EX12 <i>(remote driver)</i> EX12N - Indirect EDGE EX12	A - Satine Lens HE - High Efficiency Lens	HE - High Efficiency Lens BW - Batwing <i>Connectors are non-illuminated on indirect side</i>

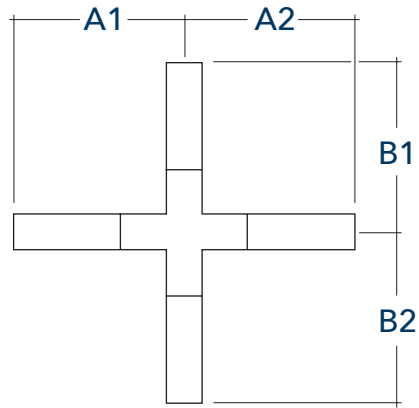
Standard¹ Yes No

Dimensions¹ *(shown as plan view)*



CT - T Intersection

A1 = B =
A2 =



CX - X Intersection

A1 = B1 =
A2 = B2 =

Standard Dimensions ¹	
A1 / A2 <i>(increments of 1' + 6")</i>	B <i>(increments of 1' + 0")</i>
2'6" (30") <i>minimum</i>	3'0" (36") <i>minimum</i>
3'6" (42")	4'0" (48")
4'6" (54")	5'0" (60")
5'6" (66")	6'0" (72")
6'6" (78")	7'0" (84")
7'6" (90")	8'0" (96")
8'6" (102")	9'0" (108")
9'6" (114")	10'0" (120")
10'6" (126")	11'0" (132")
11'6" (138")	12'0" (144")
12'6" (150")	13'0" (156")
And so on...	

Standard Dimensions ¹ <i>(increments of 1' + 6")</i>
A1 / A2 / B1 / B2
2'6" (30") <i>minimum</i>
3'6" (42")
4'6" (54")
5'6" (66")
6'6" (78")
7'6" (90")
8'6" (102")
9'6" (114")
10'6" (126")
11'6" (138")
12'6" (150")
And so on...

¹Any pattern that is not standard, including non-standard dimensions, will require an approval and quote before ordering. Please talk to your salesperson about the best way to communicate your custom needs to us. All corners are direct only, when ordering a bidirectional fixture only the direct side will be illuminated, please see the EX1, EX1B, EX12, or EX12N spec sheets for more information.