



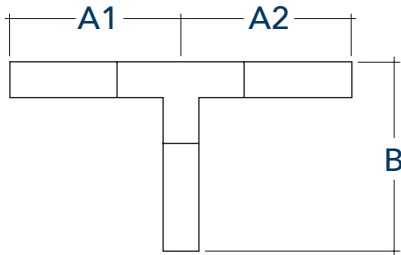
# EDGE EV3D

## PATTERN WORKSHEET FOR "T" AND "X" CONNECTORS

Standard<sup>2</sup>                      Yes                      No

SHIELDING	MOUNTING
<b>A</b> - Satine Lens <b>HE</b> - High Efficiency Lens	<b>G1</b> - 1" (15/16") T Bar <b>G9</b> - 9/16" T Bar <b>GB</b> - 9/16" Bevel T Bar <b>GS</b> - Screw Slot T Bar <b>FL</b> - 1/2" Flange <b>NF</b> - Non Flange <b>SF</b> - Spackle Flange

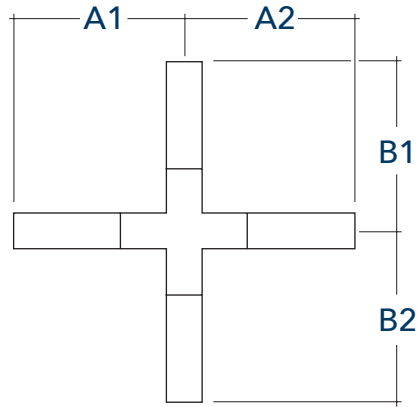
### Dimensions<sup>1,2</sup> (shown as plan view)



**CT - T Intersection**

A1 =                      B =

A2 =



**CX - X Intersection**

A1 =                      B1 =

A2 =                      B2 =

Common Dimensions <sup>1</sup>	
A1 / A2 <small>(increments of 1' + 5")</small>	B <small>(increments of 1' + 11")</small>
2'5" (29") <i>minimum</i>	2'11" (35") <i>minimum</i>
3'5" (41")	3'11" (47")
4'5" (53")	4'11" (59")
5'5" (65")	5'11" (71")
6'5" (77")	6'11" (83")
7'5" (89")	7'11" (95")
8'5" (101")	8'11" (107")
9'5" (113")	9'11" (119")
10'5" (125")	10'11" (131")
11'5" (137")	11'11" (143")
12'5" (149")	12'11" (155")
And so on...	

Common Dimensions <sup>1</sup> <small>(increments of 1' + 5")</small>
A1 / A2 / B1 / B2
2'5" (29") <i>minimum</i>
3'5" (41")
4'5" (53")
5'5" (65")
6'5" (77")
7'5" (89")
8'5" (101")
9'5" (113")
10'5" (125")
11'5" (137")
12'5" (149")
And so on...

<sup>1</sup>Specifying row length to the 1/8" is a standard option. Please see the EV3D spec sheet for more information about it. On dimensions that you choose to use them, the minimum dimension is 1/2" larger than stated. If you opt not to use them:

- A1, A2, B1 or B2 dimension must be X'5"
- B dimension must be X'11"

<sup>2</sup>Any pattern that is not standard, including dimensions less than the minimum and corners/connectors other than 90 degrees, will require an approval and quote before ordering. Please talk to your salesperson about the best way to communicate your custom needs to us.