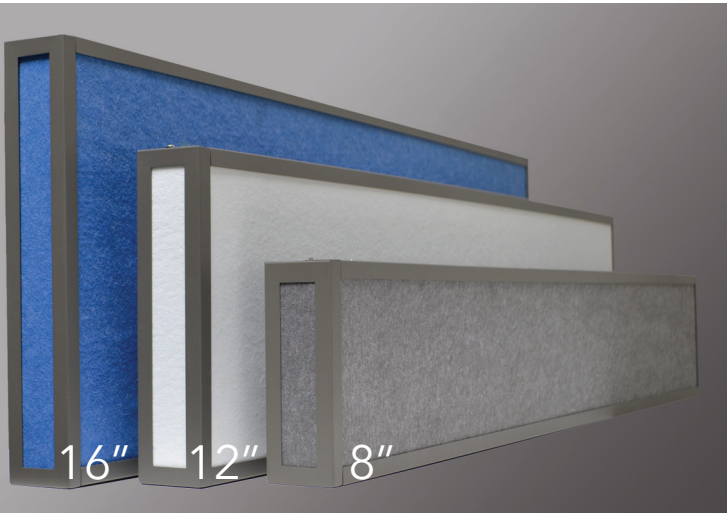




## EDGE EX1 Acoustic Solutions

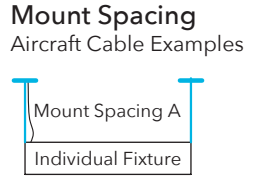


AC Cable Installation ..... 2



## 1 LAYOUT

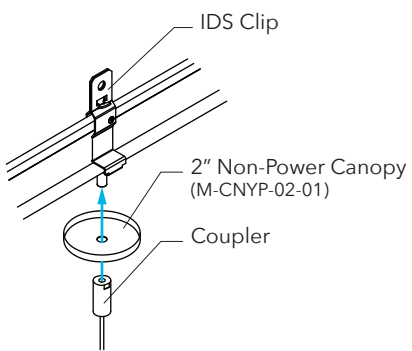
Lay out mounting and J-Box locations.



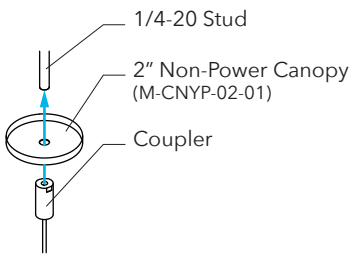
FIXTURE	A
2'	22-1/4"
3'	34-1/4"
4'	46-1/4"
5'	58-1/4"
6'	70-1/4"
7'	82-1/4"
8'	94-1/4"

## 3 NON-POWER MOUNT

Install 1/4-20 stud (by others) or IDS Clip (by others) for non-power mounts (1/2" below ceiling plane). Secure canopy to stud or IDS clip using coupler.



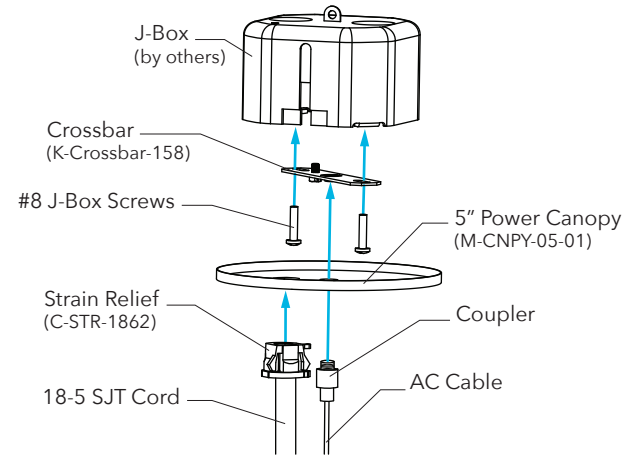
Grid Mounting



Inaccessible Mounting

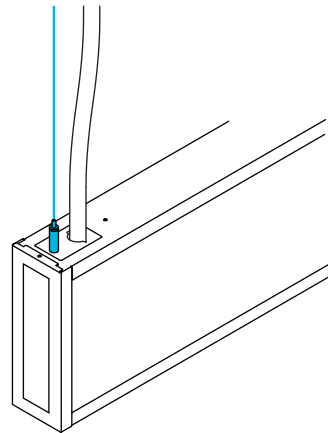
## 2 POWER SIDE MOUNT

Install crossbar to J-Box (by others). Run SJT cord through canopy, secure with strain relief, and make wiring connections inside of J-Box. Feed aircraft cable through coupler, secure canopy to crossbar using coupler.

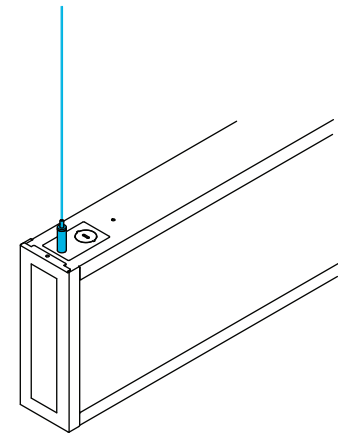


## 4 MOUNTING FIXTURE

Attach gripper to stud at each end of fixture. Level fixture.



Illuminated



Non-illuminated