

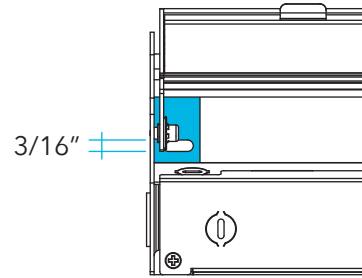


1 Layout and Mounting

Layout placement of fixture(s) in cove, tilt fixture head all the way back and secure fixture to cove using appropriate hardware. (by others)

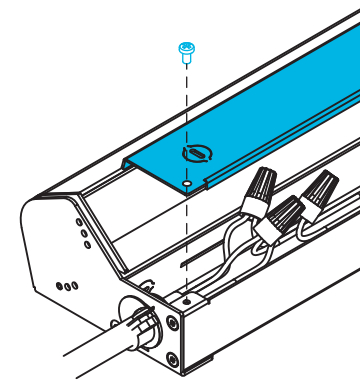
Fixture Lengths

Nominal	Actual
2'	24-3/8"
3'	36-3/8"
4'	48-3/8"
6'	72-3/8"
8'	96-3/8"



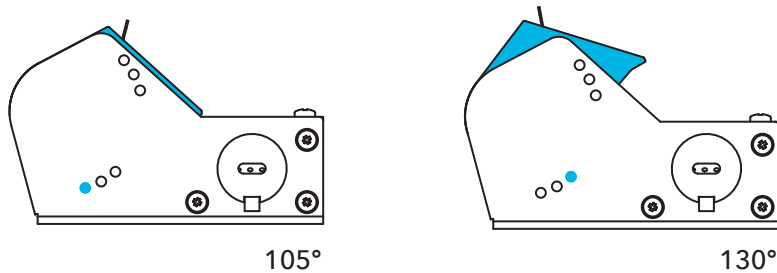
2 Powering the Fixture *(all electrical connection by others)*

Remove electrical cover. Remove K.O. or plug. Attach 1/2" connector (by others) feed power wires into fixture, make necessary connections. Replace electrical cover.



3 Aiming the Fixture

The fixture beam can be adjusted to fixed angles of 105, 117.5, 130. Additional angles can be achieved by shimming the fixture at installation. To adjust the reflector, rotate the reflector into position until it locks into place.



Optional Joining Fixtures

Figure A. Single circuit fixtures are supplied with Quick Connects for fixture to fixture connections.

Figure B. Fixtures that have additional circuits or batteries can be connected fixture to fixture using a nipple *(by others)*.

