

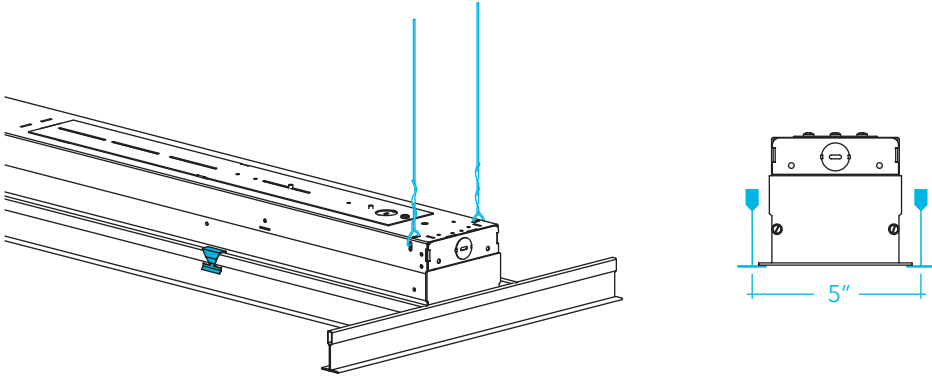


Grid Installation	2
Flanged (FL) Inaccessible Installation	3-4
Spackle Flange (SF) Inaccessible Installation	5



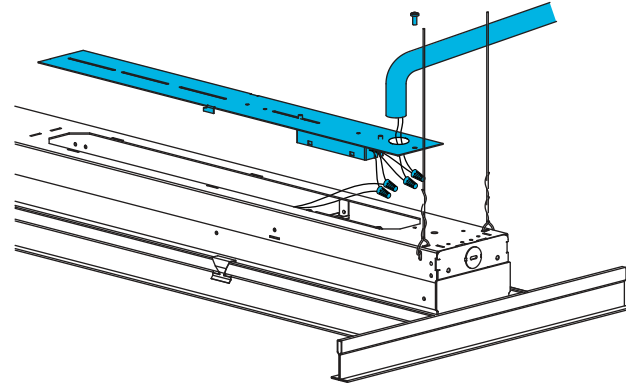
1 GRID PREPARATION AND INSTALLATION

Prepare grid to the width needed to accommodate the fixture. Install four grid clips (2 per side) on each fixture. Place fixture into grid opening and tie off fixture to support.



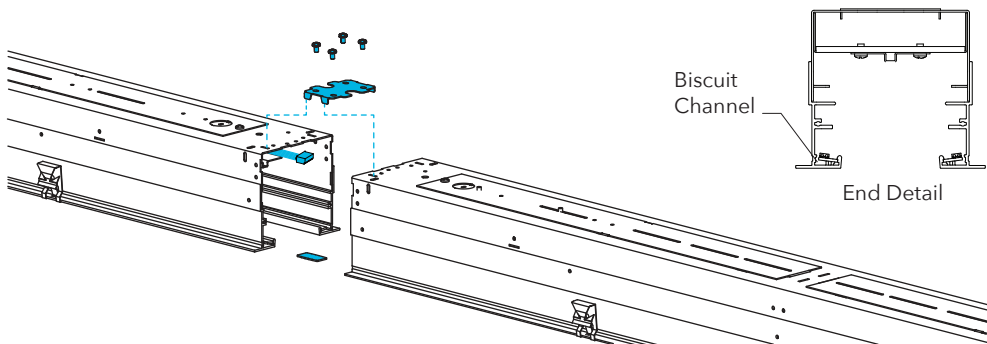
2 POWER

Remove Access Plate via one screw. Make wiring connections to building power and replace Access Plate.



3 JOINING

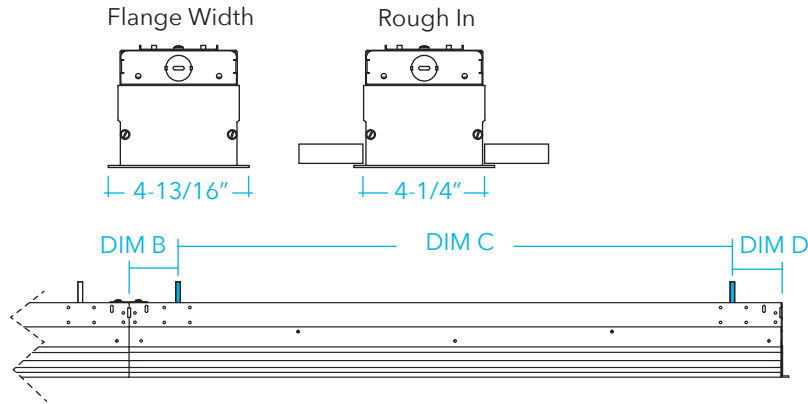
Make wiring connections between fixtures, insert joining biscuits in to one fixture, slide fixtures together, and secure using joining bracket and four screws.





1 LAYOUT & DIMENSIONS

Rough in fixture opening and install 1/4" hardware according to tables to the right. Fixture length can be found on label inside fixture. Rough-in for length is Row or Fixture Length + 3/8".

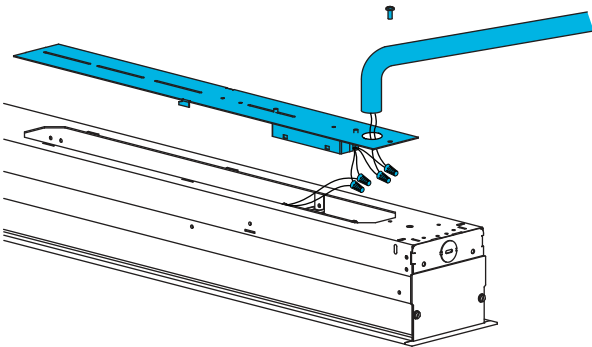


THREADED ROD LOCATIONS

LENGTH	DIM A	DIM B	DIM C
23"	3/4"	21-1/2"	13/16"
24"	3/4"	22-1/2"	13/16"
35"	2-5/8"	29-3/4"	2-11/16"
36"	2-5/8"	30-3/4"	2-11/16"
47"	2-5/8"	41-3/4"	2-11/16"
48"	2-5/8"	43-3/4"	2-11/16"
59"	2-5/8"	53-3/4"	2-11/16"
60"	2-5/8"	54-3/4"	2-11/16"
71"	1-5/8"	66-3/4"	2-11/16"
72"	2-5/8"	66-3/4"	2-11/16"
83"	1-5/8"	78-3/4"	2-11/16"
84"	1-5/8"	79-3/4"	2-11/16"
95"	1-5/8"	90-3/4"	2-11/16"
96"	2-5/8"	90-3/4"	2-11/16"

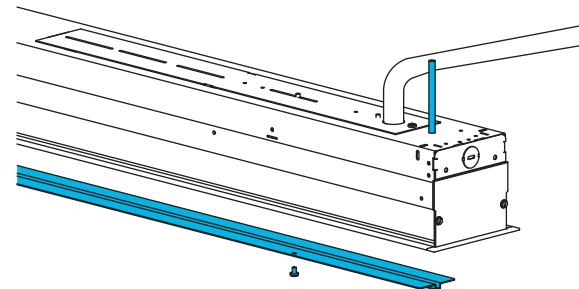
2 POWER

Remove Access Plate via one screw. Make wiring connections to building power and replace Access Plate.



3 INDIVIDUAL FIXTURE

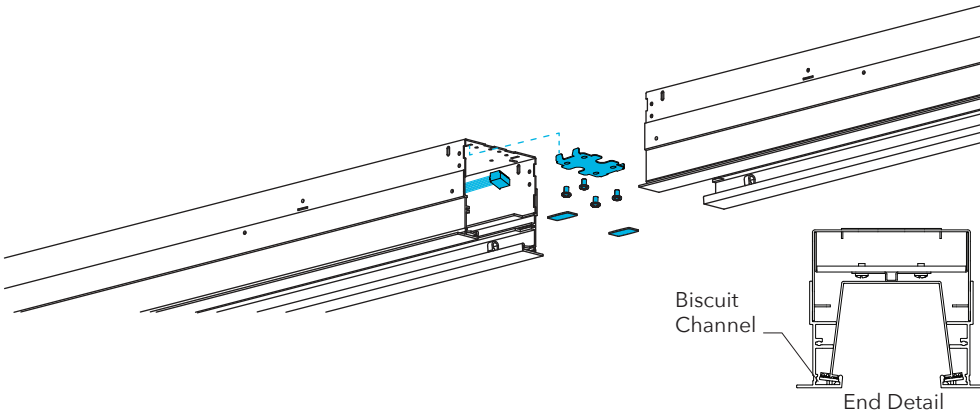
Remove wiring channel cover via #8-23 screws (2 per cover). Mount fixture through mounting hole to threaded rod.





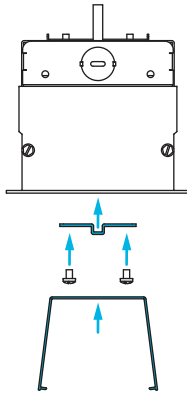
4 JOINING FIXTURES

Make wiring connections between fixtures, insert joining biscuits in to one fixture, slide fixtures together, and secure using joining bracket and four screws.



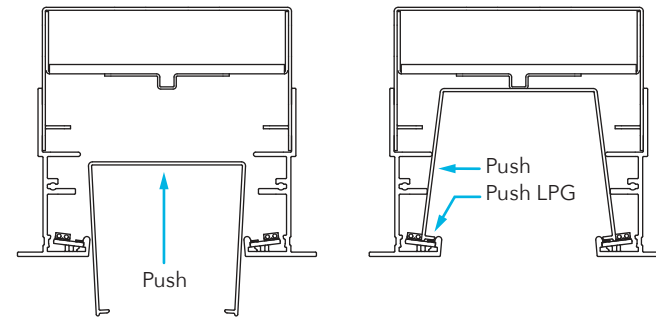
6 FINISHING

Re-install wiring channel cover with #8-32 screws. Carefully re-install reflector.



5 REINSTALLING THE REFLECTOR

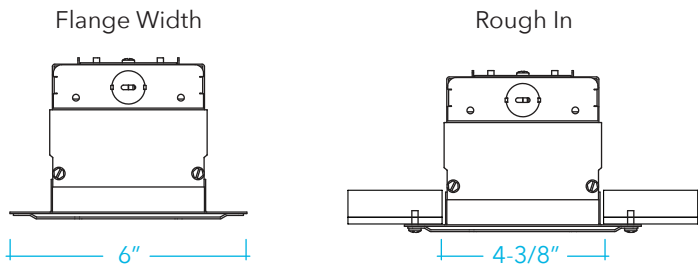
Starting at one end of the fixture, push the reflector into the opening of the housing until entirely inside. Starting on one side of the reflector, push leg of reflector into place along entire length of reflector. Run finger along the Light Protection Guard (LPG) to make sure LPG is fully seated along the edge of the housing. Repeat on opposite leg of reflector.





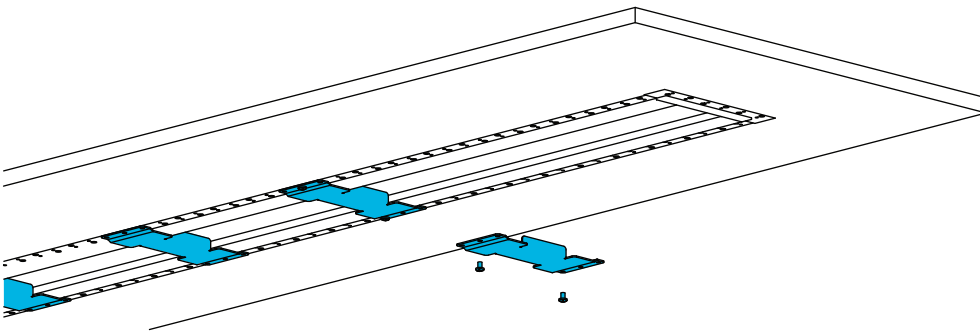
1 DIMENSIONS AND LAYOUT

Rough in fixture opening Fixture length can be found on label inside fixture.
Rough-in for length is Row or Fixture Length + 3/8".
(Note: Do not screw in to side of housing. Do not remove cross brackets until fixture is installed.)



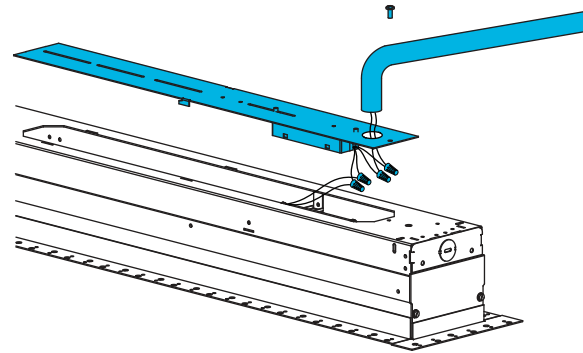
3 INDIVIDUAL FIXTURE

Mount fixture in rough-in opening by placing a screw behind each cross bracket along the length of the fixture and two on each end flange. Once mounted, remove cross brackets and discard. If individual fixture, install reflector (detail view on page 4).



2 POWER

Remove Access Plate via one screw. Make wiring connections to building power and replace Access Plate.



4 JOINING

Make wiring connections between fixtures, insert joining biscuits, slide fixtures together, and secure using joining bracket and four screws. Once all fixtures in row are installed, install reflectors (detail view on page 4).

