

# EDGE EX3WET

## 3" Suspended Direct Linear WET

### Key Features

- Approved for wet location unless otherwise noted. IP66 and IK10 rated
- 6063-T5 Extruded aluminum housing
- Highly reflective die-formed white painted reflector
- All-inclusive module houses all LED system components in one compact unit
- Unit easily releases from the housing for room-side maintenance
- Wiring access available through bottom of housing
- 5-year limited warranty covers LED, driver and fixture
- ETL listed conforming to UL 1598 in US and CSA 250 in Canada
- Buy American Act compliant



Example Part #: EX3-WET-N-830HO-8'-IND-AC48G1-U-OL2-1-0-W

**EX3 - WET - N** - DIRECT SHIELDING - INDIRECT SHIELDING - CRI, CCT & OUTPUT - LENGTH - MOUNTING - VOLTAGE - DRIVER - CIRCUITING - BATTERY & EMERGENCY - FINISH - FIXTURE OPTIONS

WET	N	---	
DIRECT SHIELDING	INDIRECT SHIELDING	CRI, CCT & OUTPUT <sup>1</sup>	LENGTH <sup>2</sup>
<b>WET</b> - Satine Wet Lens <i>Shielding pg. 2</i>	<b>N</b> - None <i>Shielding pg. 2</i>	<b>27</b> - 2700K <b>30</b> - 3000K <b>35</b> - 3500K <b>40</b> - 4000K <b>50</b> - 5000K <b>CL</b> - Custom Lumens <b>CW</b> - Custom Watts <i>Lumen Output pg. 2</i>	<b>---</b> - Individual Fixture <i>Length pg. 2</i>
---	---	---	---
POSITION <sup>3</sup>	MOUNTING <sup>4</sup>	VOLTAGE	DRIVER
<b>IND</b> - Individual Fixture <b>BOR</b> - Beginning of Row <b>MOR</b> - Middle of Row <b>EOR</b> - End of Row <i>Position pg. 3</i>	<b>PP</b> - <b>JB</b> - Pendant to J Box <b>PP</b> - <b>ST</b> - Pendant to Structure <b>WA</b> - Wall Mount <b>S</b> - Surface Mount <i>Mounting pg. 3</i>	<b>U</b> - Universal (120 thru 277V) <b>1</b> - 120V <b>2</b> - 277V <b>3</b> - 347V <i>Voltage pg. 3</i>	<b>FSD</b> - Factory Select Driver (1%, 0-10v) <b>PL2</b> - Advance Xitanium (1%, 0-10v) <b>OL2</b> - eldoLED Optotronic (1%, 0-10v) <b>OL4</b> - eldoLED Optotronic 347v (1%, 0-10v) <b>EE1</b> - eldoLED ECOdrive (1%, 0-10v) <b>ES1</b> - eldoLED SOLOdrive (0.1%, 0-10v) <b>LH1</b> - Lutron Hi-lume (1%, EcoSystem) <b>PS1</b> - Advance Xitanium (50%/100%) <i>Driver pg. 3</i>
---	---	---	---
CIRCUITING	BATTERY & EMERGENCY <sup>5</sup>	FINISH	FIXTURE OPTIONS <sup>6</sup>
<b>1</b> - Single Circuit <b>M</b> - Multi Circuit <b>E</b> - Emergency (entire fixture) <b>N</b> - Night Light (entire fixture) <i>Circuiting pg. 4</i>	<b>0</b> - None <b>FSB</b> - Factory Select Battery <b>FSG</b> - Factory Select ALCR <b>GI</b> - Iota ETS DR <b>GB</b> - Bodine GTD <b>ILL</b> - Iota 10w Integral <b>PLL</b> - Bodine 10w Integral <b>E</b> - Emergency Section <b>N</b> - Night Light Section <b>L</b> - Life Safety Section <i>Battery and Emergency pg. 4</i>	<b>W</b> - White <b>S</b> - Metallic Silver <b>BL</b> - Textured Black <b>BR</b> - Bronze <b>GR</b> - Graphite <b>CC</b> - Custom Color <i>Finish pg. 4</i>	<b>GLR</b> - Internal Fast Blow Fuse <b>EPF</b> - End Power Feed <b>DSP</b> - Customer Supplied Battery/Driver/Sensor <b>N</b> - Natatorium <i>(corrosion resistant hardware) Fixture Options pg. 5</i>
<i>Pinnacle is able to accommodate different control solutions from different manufacturers. Consult Factory for more information.</i>			

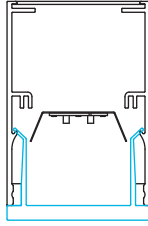
<sup>1</sup>When specifying OUTPUT the first \_ is for specifying either 8 - 80CRI or 9 - 90CRI. The ending \_ are for specifying output, example HO - High Output. See output charts for more information. <sup>2</sup>Individual fixtures come in nominal 2', 3', 4', 5', 6', 7', & 8' lengths, see pg. 2 for actual lengths. <sup>3</sup>Specify position of fixture. Use IND for an individual fixture, use BOR, MOR, or EOR for building connected rows. <sup>4</sup>Specify pendant length of either 12", 18" or 24". Pendant options not available with Natatorium. <sup>5</sup>Enter quantity for Battery and Emergency, Example 2P. <sup>6</sup>Natatorium only available with surface mount option.

Specifications and dimensions subject to change without notice. Specification sheets that appear on pinnacle-ltg.com are the most recent version and supersede all other previously printed or electronic versions.



**Direct Shielding**

**WET**  
Satine Wet Lens



**Indirect Shielding**

**N**  
None

**Output**

- Specify either 80 or 90 CRI
- Longer lead-time may apply for 90 CRI. Consult factory
- 90 CRI = R9≥50

**Custom Output- Lumens OR Wattage**

**CL** \_\_\_\_\_ Specify CRI, CCT and desired lumens (i.e. CL835500) | Specify lumens between standard offering listed below. Lumens are specified per color temp  
**CW** \_\_\_\_\_ Specify CRI, CCT and desired wattage (i.e. CW9407) | Specify watts between standard offering listed below

**80 CRI**

	Color	Output	Watts per foot	Shielding <b>WET</b> Satine Wet	
				Lumens/ft	LPW
<b>830</b>	3000K	Standard	4.7	436	92.8
<b>830HO</b>	3000K	High	8.7	788	91.1
<b>835</b>	3500K	Standard	4.7	445	94.7
<b>835HO</b>	3500K	High	8.7	804	92.9
<b>840</b>	4000K	Standard	4.7	457	97.2
<b>840HO</b>	4000K	High	8.7	827	95.6
<b>850</b>	5000K	Standard	4.7	456	97.0
<b>850HO</b>	5000K	High	8.7	825	95.4

**90 CRI**

<b>927</b>	2700K	Standard	4.7	344	73.2
<b>927HO</b>	2700K	High	8.7	623	72.0
<b>930</b>	3000K	Standard	4.7	370	78.7
<b>930HO</b>	3000K	High	8.7	668	77.2
<b>935</b>	3500K	Standard	4.7	391	83.2
<b>935HO</b>	3500K	High	8.7	706	81.6
<b>940</b>	4000K	Standard	4.7	391	83.2
<b>940HO</b>	4000K	High	8.7	706	81.6

**Length**

2	3	4	5	6	7	8
Individual Fixture	Individual Fixture	Individual Fixture	Individual Fixture	Individual Fixture	Individual Fixture	Individual Fixture
27-1/8" (689mm)						
	39" (991mm)					
		50-3/4" (1289mm)				
			62-5/8" (1591mm)			
				74-5/8" (1895mm)		
					86-1/2" (2197mm)	
						98-3/8" (2499mm)

Specifications and dimensions subject to change without notice. Specification sheets that appear on pinnacle-ltg.com are the most recent version and supersede all other previously printed or electronic versions.



## Position

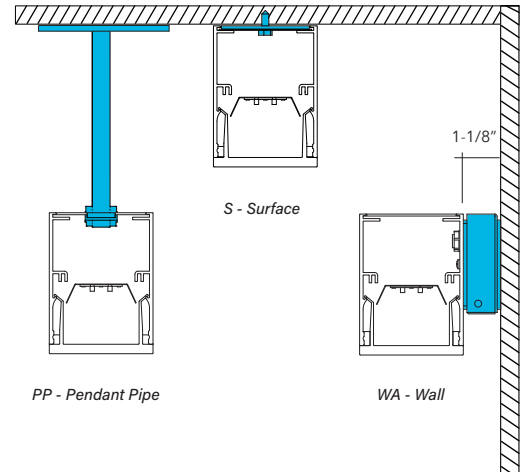
- When making rows with EDGE Wet, the rows must be ordered as individual units with a position specified
- Positions can either be "BOR" - Beginning of Row, "MOR" - Middle of Row, or "EOR" - End of Row
- The connection between fixtures is less than 1/8"
- For single, non-connected units, specify as "IND" for individual

IND	BOR	MOR	EOR
Individual Fixture	Beginning of Row	Middle of Row	End of Row

## Mounting

- 1/2" diameter rigid stem pendant and wall mount available
- Specify overall pendant length of 12", 18" or 24"
- Specify pendant length in ordering code (PP12JB)
- Utilize Surface Mount for in-wall application. Building surface waterproofing by others
- End trims and power cord attached at factory
- Canopies and pendants match fixture finish, see Finish section for additional details
- Approved for wet location unless otherwise noted
- Refer to installation instructions during installation at the jobsite
- Fixtures may only be installed with the direct lens facing down. For an in-wall application with the lens facing outward, please see the EDGE Wet Recessed Spec Sheet

<b>PP_JB</b>	Pendant Pipe to J-Box
<b>PP_ST</b>	Pendant Pipe to Structure
<b>WA</b>	Wall Mount
<b>S</b>	Surface



## Voltage

- Some EDGE Wet configurations will not accommodate all voltage options; consult with factory

<b>U</b>	Universal
<b>1</b>	120 volt
<b>2</b>	277 volt
<b>3</b>	347 volt

## Driver

- Standard Driver Option = FSD
- Driver Lifetime: 50,000 hours at 25°C ambient operating conditions
- For more driver options see Pinnacle Resource Guide
- Some EDGE Wet configurations will not accommodate all driver options; consult with factory

0-10V Drivers	
<b>FSD</b>	Factory Select Driver 1%, 0-10v
<b>PL2</b>	Signify Advance Xitanium 1%, 0-10v
<b>PL4</b>	Advance Xitanium 347v 1%, 0-10v, requires 347v
<b>OL2</b>	eldoLED Optotronic, 1%, 0-10v
<b>OL4</b>	eldoLED Optotronic 347v, 1% 0-10v, requires 347v option
<b>EE1</b>	eldoLED ECOdrive 1%, 0-10v Logarithmic
<b>EE2</b>	eldoLED ECOdrive 1%, 0-10v Linear
<b>ES1</b>	eldoLED SOLOdrive 0-10v, 0.1% Logarithmic
<b>ES2</b>	eldoLED SOLOdrive 0-10v, 0% Linear
DALI Drivers	
<b>EE3</b>	eldoLED ECOdrive .1%, DALI (logarithmic)
<b>ES3</b>	eldoLED SOLOdrive .1%, DALI (logarithmic)
<b>OD1</b>	eldoLED Optotronic 1%, DEXAL
<b>OD2</b>	eldoLED Optotronic 1%, DALI 2 Channel
Lutron Drivers	
<b>LH1</b>	Lutron Hi-lume Soft-on, Fade-to-black 1%, EcoSystem, LDE1
<b>LH4</b>	Lutron Hi-Lume 1%, 2-wire, Lutron-LTEA2W, 120v only
Alternate Drivers	
<b>PS1</b>	Signify Advance Xitanium Step Dimming 50%/100%
<b>OD1</b>	eldoLED Optotronic 1%, DEXAL
<b>EH1</b>	ELV 120v only, 0-10v universal



## How to specify Circuiting, Battery and Emergency

- 1**
- Select fixture circuiting from options below
  - Some EDGE Wet configurations will not accommodate all circuiting options, consult with factory

### Circuiting

<b>1</b>	Single Circuit
<b>M</b>	Multi Circuit
<b>E</b>	Emergency Circuit only
<b>N</b>	Night Light Circuit only

- 2** + **3**
- Battery and emergency section options are available in addition to fixture circuit
  - Select battery and emergency section options below; factory shop drawing required
  - Some EDGE Wet configurations will not accommodate all circuiting options, consult with factory

### Battery and/or Emergency If Required

- 0** No battery or specific emergency section required

#### Battery

- Select battery section type if required, indicate total QTY. *Example 2P*
- 90 minute battery runtime; test button is integral to fixture
- No battery option available for 2' lengths
- Entire direct fixture housing is on battery for lengths up to 5'
- Half of direct fixture is on battery for 6', 7' or 8' housing lengths
- For more battery options available, see Pinnacle Resource Guide

<b>0</b>	No Battery
<b>_FSB</b>	Factory Select Battery (10w option)
<b>_FSBST</b>	Factory Select Battery (10w, Self Testing)
<b>_ILL</b>	Iota 10w Integral Lithium, Self Testing
<b>_IRH</b>	Iota 20w Remote
<b>_PRH</b>	Bodine 20w Remote
<b>_PLL</b>	Bodine 10w Integral Lithium, Self Testing

#### For Approximate Battery Lumen Output

- Multiply battery wattage X fixture LPW shown on Lumen Table
- 92.3 (LPW) x 10 (watts) = 923 battery lumen output

#### Emergency

- Select emergency section type if required, indicate total QTY. *Example 1E*
- Combine battery and emergency section ordering codes if both options are selected

<b>_FSG</b>	Factory Select Automatic Load Control Relay (ALCR), UNV
<b>_GI</b>	Emergency Transfer Switch (ETS) DR Emergency Control Device, UNV
<b>_GB</b>	Bodine GTD, Generator Transfer Device, 120v or 277v
<b>_E</b>	Emergency circuit section
<b>_N</b>	Night Light circuit section
<b>_L</b>	Life Safety circuit section NO THROUGH WIRE

#### Combination Section Ordering Examples

- Single circuit, (1) 10w battery, (1) emergency section      Ordering Code: 1-1P1E
- Multi circuit, (2) 10w battery, (2) emergency sections      Ordering Code: M-2P2E
- Single circuit, (1) night light section      Ordering Code: 1-1N

#### Battery OR Emergency Ordering Examples

- Single circuit, 10w Integral Battery      Ordering Code: 1-1P
- Emergency only, 10w Integral Battery      Ordering Code: E-1P
- Single circuit, GTD required      Ordering Code: 1-1G

### Finish

- Standard powder-coat textured white, metallic silver, textured black, graphite or bronze painted finish; consult factory for chip of standard paint finishes
- Selecting a fixture finish other than white may impact lumen output; consult factory for more information

<b>W</b>	White ( <i>white pendant &amp; canopy</i> )
<b>S</b>	Metallic Silver ( <i>silver pendant &amp; canopy</i> )
<b>BL</b>	Textured Black ( <i>black pendant &amp; canopy</i> )
<b>BR</b>	Bronze ( <i>bronze pendant &amp; canopy</i> )
<b>GR</b>	Graphite ( <i>graphite pendant &amp; canopy</i> )
<b>CC</b>	Custom Color ( <i>color match pendant &amp; canopy</i> )

Specifications and dimensions subject to change without notice. Specification sheets that appear on pinnacle-ltg.com are the most recent version and supersede all other previously printed or electronic versions.

Designed in Denver, CO • USA | pinnacle-ltg.com | O: 303-322-5570 F: 303-322-5568

EX3\_WET\_LED\_SPEC\_NOV2023



## Fixture Options

- Additional options to enhance the fixture and finish of the product

<b>GLR</b>	Internal Fast Blow Fuse
<b>DSP</b>	Customer Supplied Battery/Driver/Sensor
<b>EPF</b>	End Power Feed
<b>N</b>	Natatorium (corrosion resistant hardware)

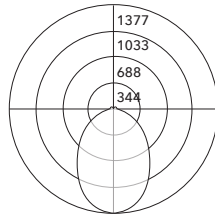
## Controls

- Pinnacle is able to accommodate different control solutions from different manufacturers. Consult Factory for more information.

## Photometrics

### Satine Wet Lens

Test #	Scaled from ITL86500
Catalog #	EX3-WET-N-840HO-4
Lumens	3307
Watts	34.6
Efficacy	95 LPW



### Candela Distribution

Vert Angle	Horizontal Angle				
	0	22.5	45	67.5	90
0	1377	1377	1377	1377	1377
5	1367	1367	1367	1366	1363
10	1341	1337	1333	1328	1325
15	1298	1285	1279	1270	1260
20	1236	1215	1206	1190	1177
25	1156	1131	1118	1095	1080
30	1062	1039	1019	989	974
35	961	939	915	882	870
40	855	836	809	775	763
45	747	730	705	672	657
50	635	626	603	573	562
55	531	526	505	480	473
60	432	430	415	394	388
65	337	339	329	316	312
70	252	255	252	247	243
75	171	178	183	183	182
80	102	112	123	127	129
85	46	60	75	84	87
90	3	19	37	49	53

### Luminaire Data (cd/sq.m)

Angle In Degrees	Average 0-Deg	Average 45-Deg	Average 90-Deg
45	8673	7738	7081
55	7587	6670	6078
65	6512	5659	5157
75	5329	4711	4405
85	4082	4074	4177

For all available IES files, please visit our website at [pinnacle-ltg.com](http://pinnacle-ltg.com). Photometry testing in accordance to IESNA-LM-79-08 at an NVLAP accredited testing laboratory. Testing conducted at 25°C ambient conditions

## Applications & Certificates

**Construction** 6063-T5 extruded aluminum housing with welded ends. Internal lens gaskets seal housing to prevent moisture and debris from entering the fixture. Pressure equalizing vent allows fixture to “breathe” preventing condensation.

**Shielding** Solid acrylic diffuse snap-in lens with matte finish with an EPDM gasketed for complete wet seal.

**Mounting** Fixtures can be installed individually or connected for a continuous run appearance. IND fixtures are individual fixtures and have no joining holes. IND fixtures cannot be joined. BOR fixtures are used for beginning of row and have joining holes on non-power end of fixture. MOR fixtures are used for middle of row and have joining holes on both ends of fixture. EOR fixtures are used for the end of a row and have no joining holes on power end of fixture. Consult factory for detailed installation instructions.

**LED** 25°C test environment. Lumen output/wattage has a margin of +/- 5%; 2' or 3' lengths may have a greater wattage deviation. Luminaire configurations tested in accordance with IES LM-79. Diodes tested in accordance with IES LM-80. Lifetime calculated using IES TM-21. Minimum lifetime greater than 60,000 hours. Lifetime Projection L70 = 136,200 hours and L90 = 41,100 hours. MacAdam 3-Step Ellipses. Not all products are Lighting Facts listed. For all available IES files, please visit our website at [pinnacle-ltg.com](http://pinnacle-ltg.com).

**CRI, CCT & Lumen Output** Two lumen packages available. Standard and High (HO). Custom outputs are available. Specify custom lumens or watts between standard offering listed on CRI, CCT & Output page. 80 CRI is available for 3000K, 3500K, and 4000K. 90 CRI is available for 2700K, 3000K, 3500K, and 4000K. 90 CRI = R9≥50.

**Voltage** Universal (U), 120 volt (1), 277 volt (2) and 347 volt (3) options available. Must specify OL4 in Driver section when 347 volt (3) is selected. Some EDGE Wet configurations will not accommodate all voltage options; consult with factory.

**Driver** Standard Driver Option is Advance Xitanium 0-10V, 1% = PL2. Electronic driver, Power factor is >0.9 with a THD <20%. Driver Lifetime: 50,000 hours at 25°C ambient operating conditions. Ambient operating range: -20°F/-30°C to 122°F/55°C. For more driver options, see Pinnacle Resource Guide. Some EDGE Wet configurations will not accommodate all driver options.

**Circuiting** Select from single circuit (1), Multi circuit - For multiple circuiting and zone control, requires factory shop drawing (M), Emergency circuit (E) or Night Light circuit (N). For emergency circuiting situations that require no through wire or circuit separation, Life Safety Circuit should be selected. This will provide a separate power feed and only the Life Safety Circuit in that section. Some EDGE Wet configurations will not accommodate all circuiting options; consult with factory.

**Battery & Emergency** Select battery or emergency options if required. If battery or emergency option is not required, enter 0. Battery duration is 90 minutes as standard. Test button is integral to fixture. For more Battery options, see Pinnacle Resource Guide.

**Finish** Standard powder-coat textured white, metallic silver, textured black, graphite or bronze painted finish; consult factory for chip of standard paint finishes or for additional custom color and finish options.

**Controls** Consult Factory

**Labels** UL and cUL 1598 listed. IP66 and IK10 rated.

**Buy American Act Compliant**

**Warranty** EDGE Wet LED offered with a 5-year limited warranty. Covers LED, driver and fixture.