



AC Cable Mount Installation ..... 2

Pendant Mount (PH) Installation ..... 3

Wall Mount (WH) Installation ..... 4

Flush Mount (FL) Installation ..... 5

Aiming Guide ..... 6

Lens Detail ..... 7

**DISCLAIMERS**

*All of Pinnacle's packaging is recyclable with the exception of the straps on the pallets. Please reach out to the factory if you need assistance in recycling any packaging components.  
This product must be installed in accordance with applicable installation and electrical codes by a professional familiar with the construction and operation of the product.  
Minimum 90° C supply conductor.*

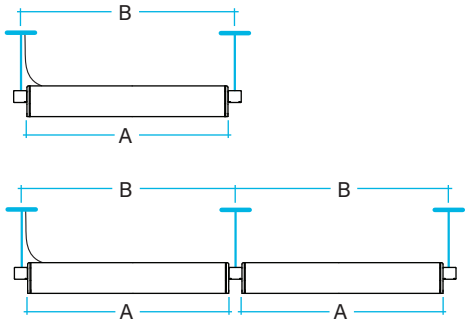
*All electrical connections must be performed by a certified electrician to applicable local and national electrical codes.  
Damaged components must never be used.  
Contact Pinnacle prior to making any fixture alterations.  
Contact Pinnacle with any installation questions or field issues.*



## 1 LAYOUT

Lay out mounting and J-Box locations. Dimension A is fixture length, dimension B is center to center of mount point spacing.

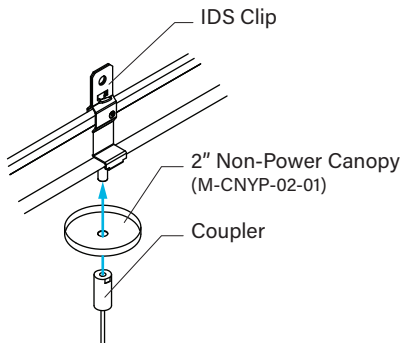
### Mount Spacing



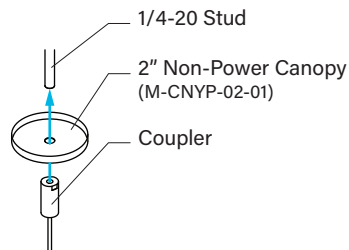
FIXTURE	A	B
2'	24-11/16"	26-1/8"
3'	36-11/16"	38-1/8"
4'	48-11/16"	50-1/8"
6'	72-11/16"	74-1/8"
8'	96-11/16"	98-1/8"

## 3 NON-POWER MOUNT

Install 1/4-20 stud (by others) or IDS Clip (by others) for non-power mounts (1/2" below ceiling plane). Secure canopy to stud or IDS clip using coupler.



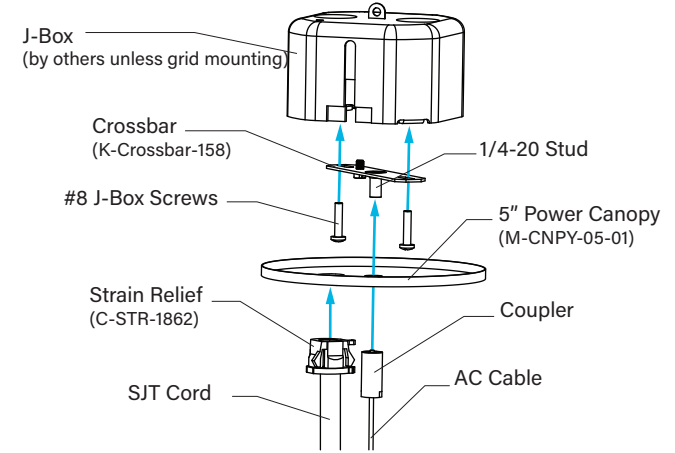
Grid Mounting



Inaccessible Mounting

## 2 POWER SIDE MOUNT

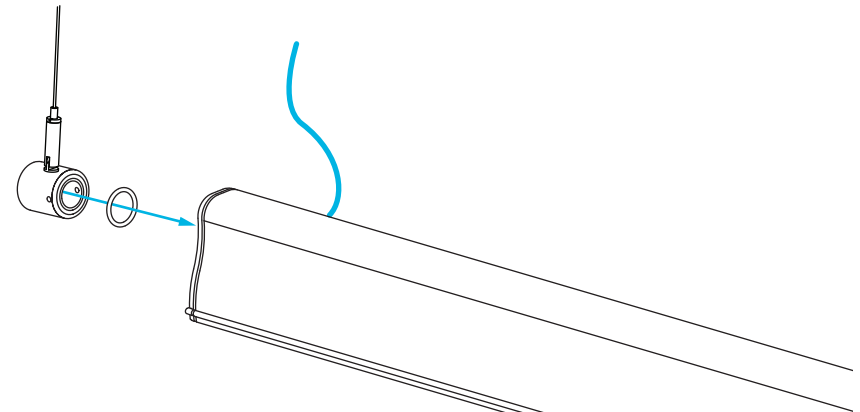
Install crossbar to J-Box (by others unless grid mounting). Run SJT cord through canopy, secure with strain relief, and make wiring connections inside of J-Box. Secure canopy to 1/4-20 stud using coupler.



## 4 MOUNTING FIXTURE

Install fixture by sliding Bushing into Hub. Secure fixture in place using Set Screws.

(note: fixture comes with 4' of SJT cord attached 2" from end of fixture.)

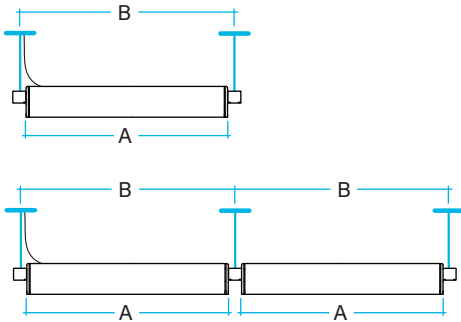




## 1 LAYOUT

Lay out mounting and J-Box locations. Dimension A is fixture length, dimension B is center to center of mount point spacing.

### Mount Spacing

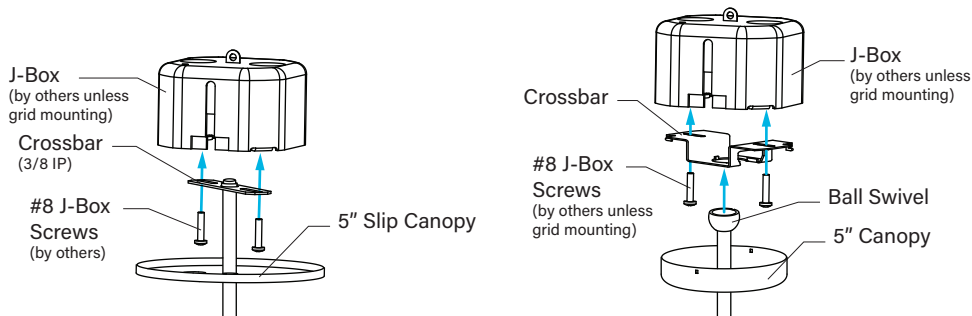


FIXTURE	A	B
2'	24-11/16"	26-1/8"
3'	36-11/16"	38-1/8"
4'	48-11/16"	50-1/8"
6'	72-11/16"	74-1/8"
8'	96-11/16"	98-1/8"

## 3 MOUNTING FIXTURE

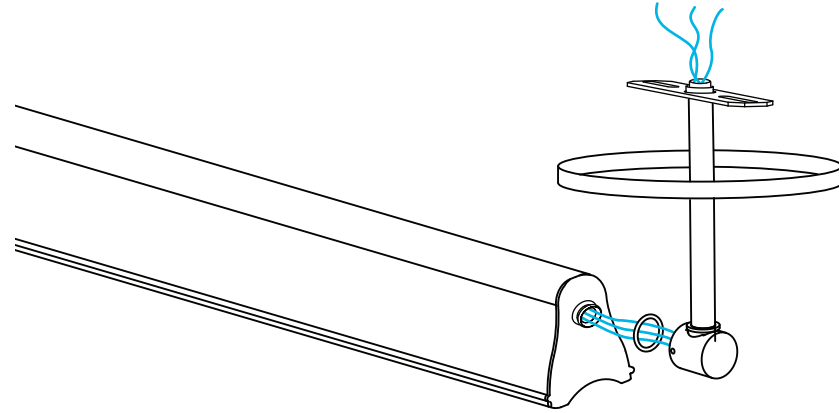
**Standard Pendant:** Secure Crossbar to J-Box. Slide Canopy up and secure with set screw. Rotate fixture head to desired angle and secure hub to fixture with set screw.

**Swivel Pendant:** Secure Crossbar to J-Box. Articulate Ball Swivel at Pendant end into Crossbar. Slide Canopy up and secure with Set Screw. Rotate fixture head to desired angle and secure hub to fixture with set screw.



## 2 PENDANT MOUNT

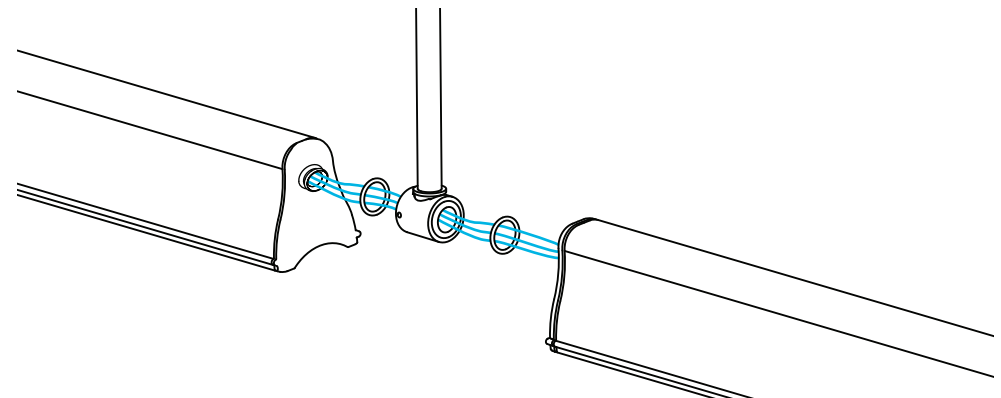
Feed Canopy over Pendant and secure Crossbar to Pendant (or Ball Swivel). Route the fixture wires through the hub and pendant pipe. Make connections within the J-Box.



## 4 JOINING FIXTURES

Bring wires from first fixture through the Intermediate Hub. Attach next fixture to the Intermediate Hub. Rotate fixture to desired angle, and tighten Set Screws. Remove reflector and lens. Make power connections inside of fixture. Re-install reflector and lens.

*(note: removing reflectors prior to mounting allows for easier access to wiring.)*

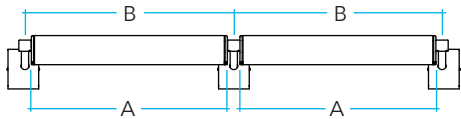
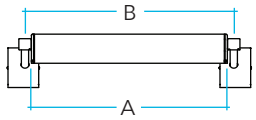




## 1 LAYOUT

Lay out mounting and J-Box locations. Dimension A is fixture length, dimension B is center to center of mount point spacing.

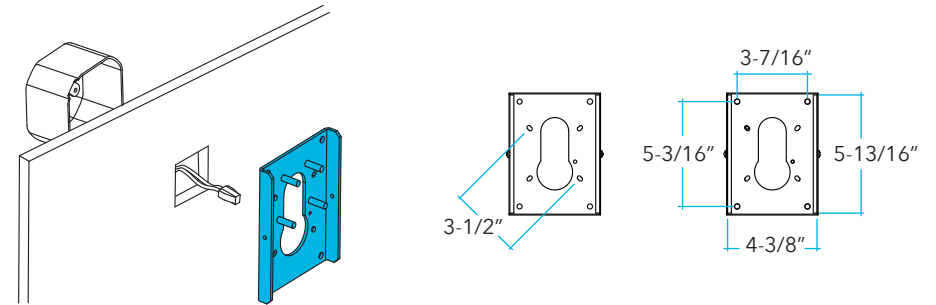
### Mount Spacing



FIXTURE	A	B
2'	24-11/16"	26-1/8"
3'	36-11/16"	38-1/8"
4'	48-11/16"	50-1/8"
6'	72-11/16"	74-1/8"
8'	96-11/16"	98-1/8"

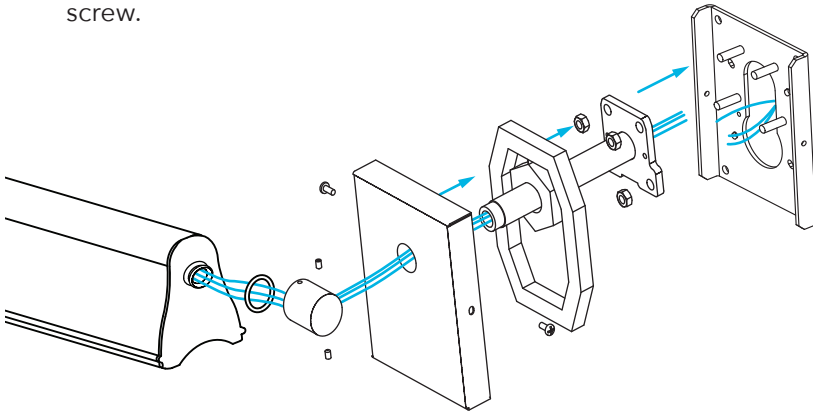
## 2 MOUNTING HARDWARE TO WALL

Install mounting plate.



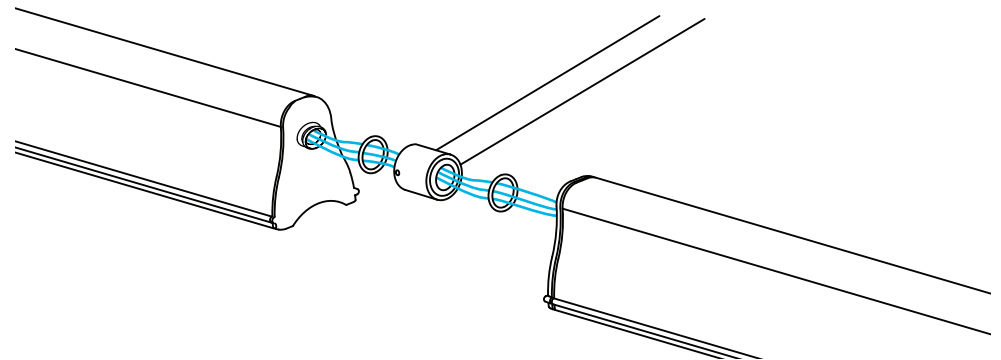
## 3 MOUNTING FIXTURE

Route wiring through mounting components as shown below. Make wiring connections within the J-Box. Attach arm to mounting plate using studs on mounting plate and nuts. Once mounting arm is set, secure canopy to mounting plate. Rotate fixture to desired angle and secure to hub with set screw.



## 4 JOINING FIXTURES

Bring wires from first fixture through the Intermediate Hub. Attach next fixture to the Intermediate Hub. Rotate fixture to desired angle, and tighten Set Screws. Remove lens and reflector. Make power connections inside of fixture. Re-install reflector and lens.  
*(note: removing reflectors prior to mounting allows for easier access to wiring.)*

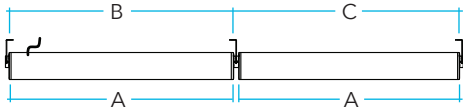
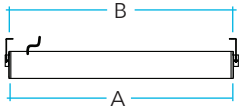




## 1 LAYOUT

Lay out mounting and J-Box locations. Install first flush mount hub. Dimension A is fixture length, dimension B is center to center of mount point spacing.

### Mount Spacing

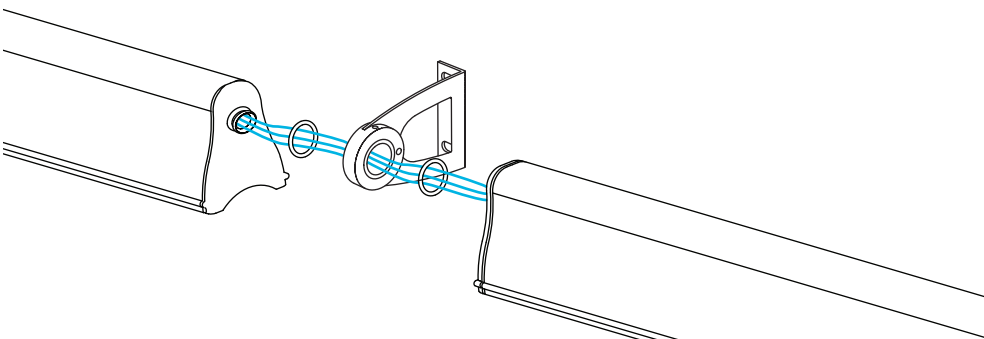


FIXTURE	A	B	C
2'	24-11/16"	24-1/2"	25-1/2"
3'	36-11/16"	36-1/2"	37-1/2"
4'	48-11/16"	48-1/2"	49-1/2"
6'	72-11/16"	72-1/2"	73-1/2"
8'	96-11/16"	96-1/2"	97-1/2"

## 3 JOINING FIXTURES

Fish wires from first fixture through Intermediate Hub. Attach next fixture to the Intermediate Hub. Rotate fixture to desired angle, and tighten Set Screws. Remove lens and reflector. Make power connections inside of fixture. Re-install reflector.

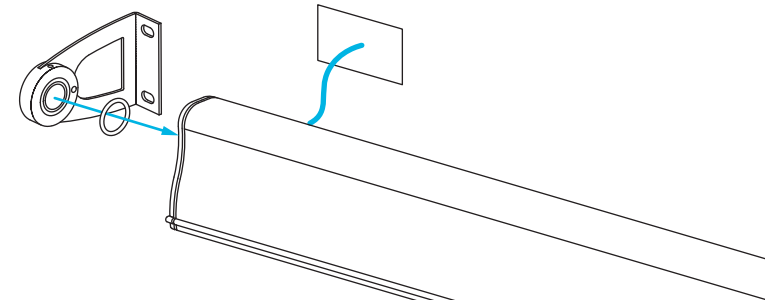
*(note: removing reflectors prior to mounting allows for easier access to wiring.)*



## 2 MOUNTING HARDWARE TO WALL

Install fixture by sliding Bushing into End Bracket. Rotate head to desired angle and secure fixture in place using Set Screws. Make wiring connections inside J-box then cover with Wall Plate (by others).

*(note: fixture comes with 4' of SJT cord attached 2" from end of fixture.)*



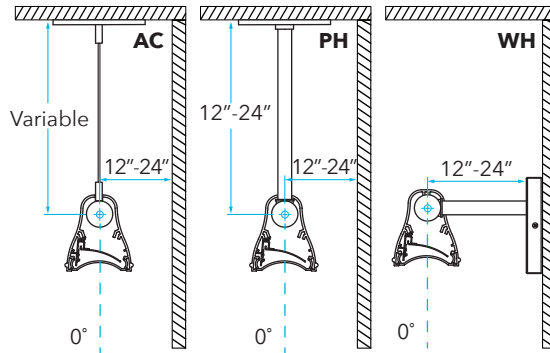


**WALL WASH APPLICATION - WHE LENS**

- 6": Not recommended
- 12": Narrow coverage, high brightness, 16:1 uniformity (3' vertical focus)
- 18": General coverage, bright accent, 9:1 uniformity (5' vertical focus)
- 24": Wall coverage, accent, 6:1 uniformity (6' vertical focus)

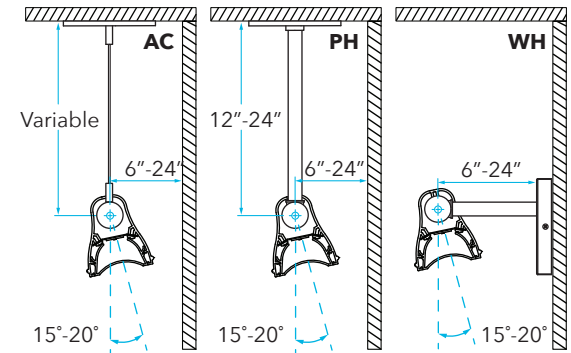


NOTE: when using WHE reflector should point towards the wall for light to be on the wall



**HIGHLIGHT A FEATURE ON A WALL - HE LENS**

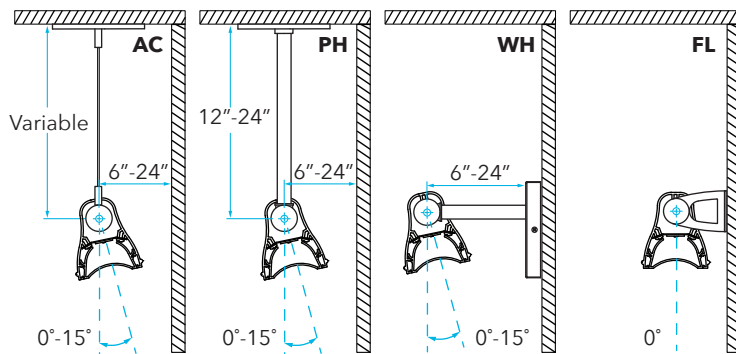
- Highlight will range between 3 to 4 feet below fixture aperture
- 6"-24": 15° to 20° tilt
- Above 20° tilt is not recommended
- FL mounting not recommended



**WALL WASH APPLICATION - HE LENS, 8-10 FT APPLICATION**

- 6" or FL: No tilt
- 12": 5° to 8° tilt
- 18": 8° to 12° tilt
- 24": 12° to 15° tilt
- Above 15° is NOT recommended for wall wash

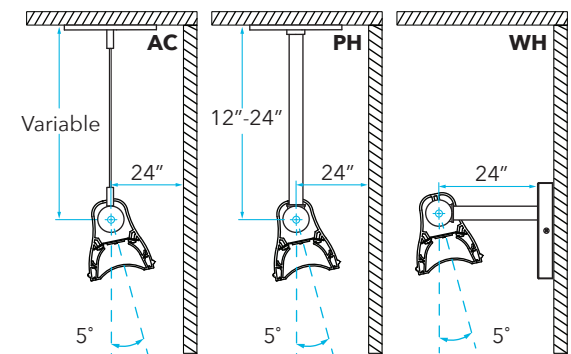
Application is floor to fixture



**WALL WASH APPLICATION - HE LENS, 10-12 FT APPLICATION**

- 6" or FL: Not recommended
- 12": Not recommended
- 18": Not recommended
- 24": 5° tilt
- Above 5° is NOT recommended for wall wash
- FL mounting not recommended

Application is floor to fixture

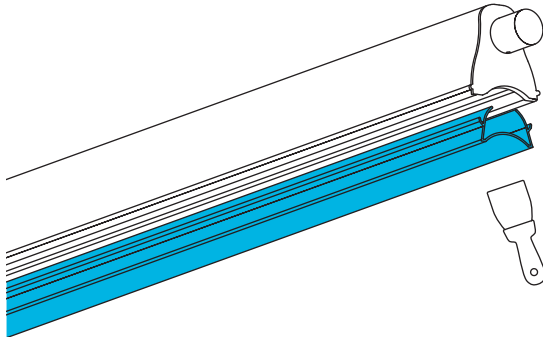




*Note: Low temperatures can effect the lens material making it brittle. Please allow the lenses to warm to room temperature before installation.*

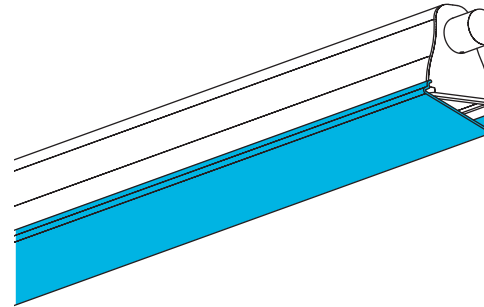
### 1 INDOOR LENS REMOVAL

Insert a putty knife into the edge between the lens and the fixture side about one inch from end. Gently pry lens away from fixture.



### 2 OUTDOOR LENS REMOVAL

Using the lip on one side of the lens gently pry lens away from fixture.



### 3 INDOOR ASYMMETRIC LENS

**To Remove:** Insert a putty knife into the edge between the lens and the fixture side adjacent to one end. Gently pry lens away from fixture.

**To Install:** Hinge one lens leg into fixture side opposite LEDs. Then, starting at one end of the fixture, press in the opposite leg.

