

# EDGE EV2DPM

## 2" Recessed Perimeter

### Key Features

- Extruded aluminum trim with formed cold rolled 18 gauge steel back box housing
- Highly reflective white painted steel reflector
- 5-year limited warranty covers LED, driver and fixture
- ETL Listed conforming to UL1598 in US and CSA 250 in Canada
- Approved for dry/damp location unless otherwise noted
- Maximum fixture weight is 15lbs per 4ft fixture
- Room-Side Maintenance for LED system
- Buy American Act compliant
- Indigo-Clean available, see Indigo-Clean specification sheets for details



Example Part #: EV2DPM2-HE-830HO-26'-G1-U-PL2-1-0-W

HOUSING	SHIELDING	SOURCE	LENGTH OR PATTERN	MOUNTING	VOLTAGE	DRIVER	CIRCUITING	BATTERY & EMERGENCY	FINISH	FIXTURE OPTIONS	CONTROLS
<b>HOUSING</b> <b>EV2DPM</b> - Edge 2, Perimeter <b>EV2DPM2</b> - Edge 2, Perimeter, 2" Regress <b>EV2DPM3</b> - Edge 2, Perimeter, 3" Regress <b>EV2DPM4</b> - Edge 2, Perimeter, 4" Regress <b>MOD</b> - Modifications Available <i>Housing pg. 2</i>	<b>SHIELDING</b> <b>A</b> - Satine Lens <b>HE</b> - High Efficiency Lens <b>R</b> - Regress Lens <b>WHE</b> - Asymmetric Lens <i>Shielding pg. 2</i>	<b>SOURCE</b> <sup>1</sup> <b>_27_</b> - 2700K <b>_30_</b> - 3000K <b>_35_</b> - 3500K ( <i>available as BIOS</i> ) <b>_40_</b> - 4000K ( <i>available as BIOS</i> ) <b>CL_</b> - Custom Lumens <b>CW_</b> - Custom Watts <b>MOD</b> - Mod options available <i>Lumen Output pg. 2-3</i>	<b>LENGTH OR PATTERN</b> <sup>2</sup> <b>_</b> - Individual Fixture <b>_</b> - Continuous Row <b>SI_</b> - Inside Square <b>SO_</b> - Outside Square <b>RI_x_</b> - Inside Rectangle <b>RO_x_</b> - Outside Rectangle <b>UI_x_</b> - Inside U Shape <b>UO_x_</b> - Outside U Shape <b>LI_x_</b> - Inside L Shape <b>LO_x_</b> - Outside L Shape <i>Length pg. 3-4</i>	<b>MOUNTING</b> <sup>3</sup> <b>G1</b> - 1" (15/16") T Bar <b>G9</b> - 9/16" T Bar <b>GB</b> - 9/16" Bevel T Bar <b>GS</b> - Screw Slot T Bar <b>FL</b> - 1/2" Flange <b>NF</b> - Non Flange <b>SF</b> - Spackle Flange <b>MOD</b> - Mod options available <i>Mounting pg. 4-5</i>	<b>VOLTAGE</b> <b>U</b> - Universal <i>(120 thru 277V)</i> <b>1</b> - 120V <b>2</b> - 277V <b>3</b> - 347V <i>Voltage pg. 5</i>	<b>DRIVER</b> <b>FSD</b> - Factory Select Driver (1%, 0-10v) <b>PL2</b> - Advance Xitanium (1%, 0-10v) <b>OL2</b> - eldoLED Optotronic (1%, 0-10v) <b>OL4</b> - eldoLED Optotronic 347V (1%, 0-10v) <b>EE1</b> - eldoLED ECOdrive (1%, 0-10v) <b>ES1</b> - eldoLED SOLOdrive (0.1%, 0-10v) <b>LH1</b> - Lutron Hi-Lume (1%, EcoSystem) <b>L51</b> - Lutron 5-Series (5%, EcoSystem) <b>PR1</b> - Advance Xitanium SR <b>MOD</b> - Mod options available <i>Driver pg. 5</i>	<b>CIRCUITING</b> <b>1</b> - Single Circuit <b>M</b> - Multi Circuit <b>E</b> - Emergency <i>(entire fixture)</i> <b>N</b> - Night Light <i>(entire fixture)</i> <i>Circuiting pg. 5</i>	<b>BATTERY &amp; EMERGENCY</b> <sup>4</sup> <b>0</b> - None <b>_FSB</b> - Factory Select Battery <b>_FSG</b> - Factory Select ALCR <b>_GB</b> - Bodine GTD <b>_GI</b> - Iota ETS DR <b>_IC</b> - Iota 10W <b>_P</b> - Bodine 10W <b>_E</b> - Emergency Circuit Section <b>_N</b> - Night Light Circuit Section <b>_L</b> - Life Safety Circuit Section <i>Battery and Emergency pg. 5-6</i>	<b>FINISH</b> <b>W</b> - White <b>S</b> - Metallic Silver <b>BL</b> - Textured Black <b>BR</b> - Bronze <b>GR</b> - Graphite <b>CC</b> - Custom Color <i>Finish pg. 6</i>	<b>FIXTURE OPTIONS</b> <b>CP</b> - Chicago Plenum <b>GLR</b> - Internal Fast Blow Fuse <b>FIL</b> - Field Cut Illuminated Extension <b>DSP</b> - Customer Supplied Battery/Driver/Sensor <b>MOD</b> - Mod options available <i>Fixture Options pg. 6</i>	<b>CONTROLS</b> <sup>5</sup> <b>B3LM</b> - Wattstopper Blanco 3 DLM ( <i>wired</i> ) <b>MOD</b> - Mod options available <i>Controls pg. 6</i>

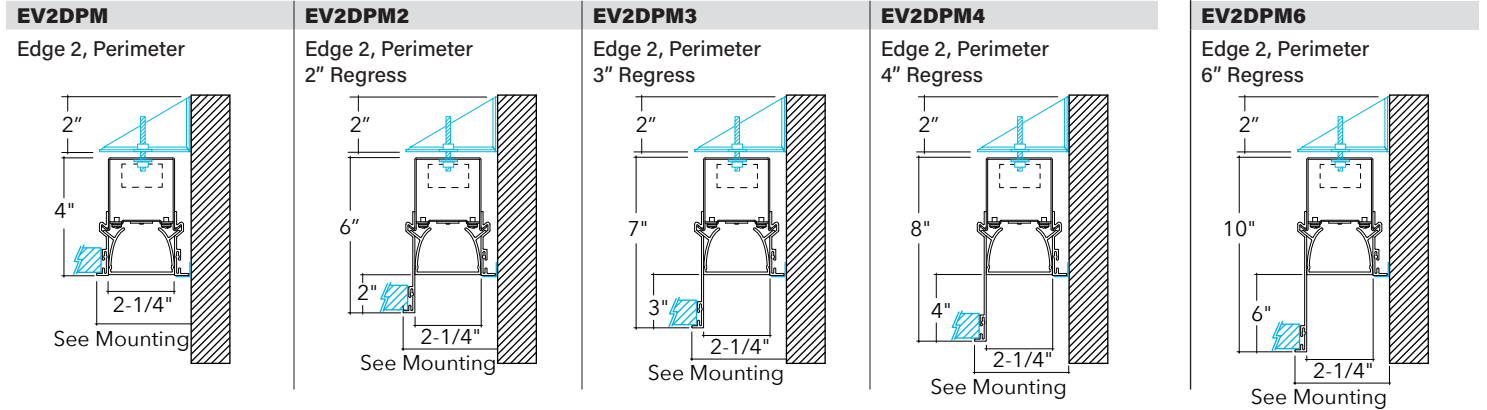
<sup>1</sup>When specifying SOURCE the first \_ is for specifying either **8** - 80CRI, **9** - 90CRI or **B** - BIOS. The ending \_ are for specifying output, example **HO** - High Output. When specifying BIOS use **B** and then specify color temperature, either 3500K or 4000K, and output, example **B35HO** - BIOS 3500K High Output. See output charts for more information. BIOS dynamic available, please contact factory for more information. <sup>2</sup>Individual fixtures come in **2', 3', 4', 5', 6', 7' & 8'** lengths. Continuous row come in 1/8" increments. For Patterns, specify pattern shape and overall dimensions. Example: L6x4: L pattern that is 6'x4'. <sup>3</sup>Specify mounting for individual or continuous length: **G1, G9, GS, FL, NF & SF** for continuous rows, **G1G, G9G, GSG, FLF, NFN & SFS** for individual lengths. <sup>4</sup>Enter quantity for Battery and Emergency, Example 2P. <sup>5</sup>Controls can only be used with Single Circuit (1) or Emergency Circuit (E). See Controls chart on page 5 for driver options and more information.

Specifications and dimensions subject to change without notice. Specification sheets that appear on pinnacle-ltg.com are the most recent version and supersede all other previously printed or electronic versions.



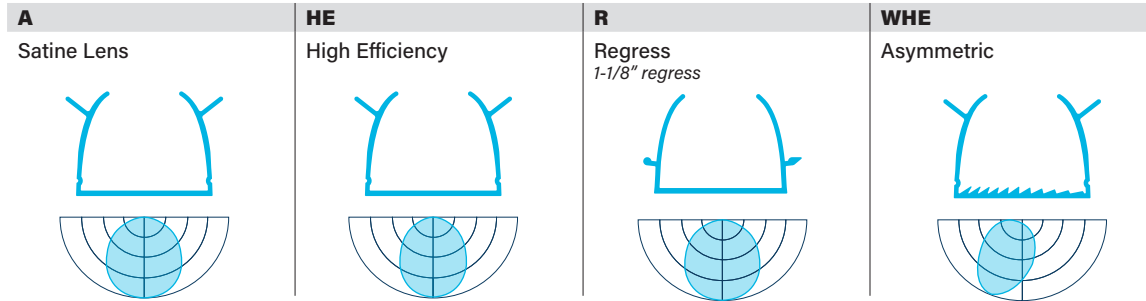
## Housing

- Mounting bolt allows for adjustability of mount height. If fixture is flushed to mount bracket, distance to ceiling would be bracket height (2") + fixture height (dependent on regress).



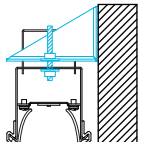
## Shielding

- Regress Lens option uses housing with backbox. Back box does not impact mounting. see detail
- Asymmetric Lens option recommended for use pointing away from wall.
- Regress Lens option not available with corners.



Regress Detail

### EV2PM



## Source: White LED<sup>1</sup>

- Specify either 80 or 90 CRI
- Longer lead-time may apply for 90 CRI. Consult factory
- 90 CRI = R9≥50

## Custom Output - Lumens OR Wattage

<b>CL</b> _____	Specify CRI, CCT and desired lumens (i.e. CL835500)	Specify lumens between standard offering listed below. Lumens are specified per color temp
<b>CW</b> _____	Specify CRI, CCT and desired wattage (i.e. CW9407)	Specify watts between standard offering listed below

## 80 CRI

	Color	Lumens per foot	Shielding <sup>1</sup>							
			A		HE		R		WHE	
			Satine LPW	Watts/ft	High Efficiency LPW	Watts/ft	Regress Lens LPW	Watts/ft	Asymmetric LPW	Watts/ft
<b>830</b>	3000K	500	103	4.9	123	4.1	98	5.1	120	4.2
<b>830HO</b>	3000K	750	105	7.2	123	6.1	99	7.6	120	6.3
<b>830VHO</b>	3000K	1000	106	9.4	126	8.0	N/A		123	8.2
<b>835</b>	3500K	500	106	4.7	122	4.1	101	5.0	124	4.0
<b>835HO</b>	3500K	750	108	6.9	127	5.9	101	7.5	123	6.1
<b>835VHO</b>	3500K	1000	108	9.2	130	7.7	102	9.8	127	7.9
<b>840</b>	4000K	500	106	4.7	122	4.1	101	5.0	124	4.0
<b>840HO</b>	4000K	750	108	6.9	127	5.9	101	7.5	123	6.1
<b>840VHO</b>	4000K	1000	108	9.2	130	7.7	102	9.8	127	7.9

## 90 CRI

<b>927</b>	2700K	500	84	5.9	102	4.9	79	6.4	99	5.0
<b>927HO</b>	2700K	750	86	8.7	102	7.4	80	9.3	99	7.6
<b>930</b>	3000K	500	93	5.4	109	4.6	86	5.8	106	4.7
<b>930HO</b>	3000K	750	94	8.0	111	6.8	88	8.5	108	6.9
<b>935</b>	3500K	500	92	5.4	108	4.6	86	5.8	106	4.7
<b>935HO</b>	3500K	750	94	8.0	111	6.8	88	8.6	108	7.0
<b>940</b>	4000K	500	92	5.4	108	4.6	86	5.8	106	4.7
<b>940HO</b>	4000K	750	94	8.0	111	6.8	88	8.6	108	7.0

<sup>1</sup>LPW and watts/ft based off 47" fixture size.

Specifications and dimensions subject to change without notice. Specification sheets that appear on pinnacle-ltg.com are the most recent version and supersede all other previously printed or electronic versions.



Source: BIOS<sup>1</sup>

- CRI >84, R9 >90
- Spectrum focused lighting for circadian stimulus
- High EML or M/P ratio: .8 for 3500K, .9 for 4000K
- COI: ≤3.3
- Available for use with most Driver or Control options

Custom Output - Lumens OR Wattage

<b>CLB</b> _____	Specify CRI, CCT and desired lumens (i.e. CL835500)	Specify lumens between standard offering listed below. Lumens are specified per color temp
<b>CWB</b> _____	Specify CRI, CCT and desired wattage (i.e. CW9407)	Specify watts between standard offering listed below

BIOS

	Color	Lumens <i>per foot</i>	Shielding <sup>1</sup>			
			A Satine		HE High Efficiency	
			LPW	Watts/ft	LPW	Watts/ft
<b>B35</b>	3500K	500	63.4	7.9	77	6.5
<b>B35HO</b>	3500K	750	62.0	12.1	77	9.7
<b>B40</b>	4000K	500	63.4	7.9	77	6.5
<b>B40HO</b>	4000K	750	62.0	12.1	77	9.7

Source: MOD Options

- Specify **MOD** in the part number for any of the below options
- All RGB\_Source Options will require specific driver and control
- Consult factory for **MOD** specification details, pricing, and lead-time information

		Required Driver	Required Control
<b>MOD</b>	Color Changing RGB LED	EC1/EC4	DMX
	Color Changing RGB-W LED	EC1/EC4	DMX
	2 Channel Tunable White		
	Dynamic BIOS		

Length

- All individual units cannot be joined, end trims are factory installed and cannot be removed
- Refer to Pattern section for specification and ordering options
- Continuous Rows are made up of even and odd length fixtures; designed to fall on-grid
- BIOS and Blanco3 are only available in foot lengths

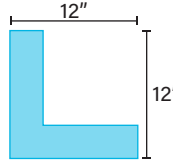
2	3	4	5	6	7	8	—
Indiv. Fixture	Indiv. Fixture	Indiv. Fixture	Indiv. Fixture	Indiv. Fixture	Indiv. Fixture	Indiv. Fixture	Cont. Run Specify nominal overall row length to the 1/8"
23" (584.2mm)							
	35" (889mm)						
		47" (1193.8mm)					
			59" (1498.6mm)				
				71" (1803.4mm)			
					83" (2108.2mm)		
						95" (2413mm)	
							Specify to the 1/8" >>>

Specifications and dimensions subject to change without notice. Specification sheets that appear on pinnacle-ltg.com are the most recent version and supersede all other previously printed or electronic versions.

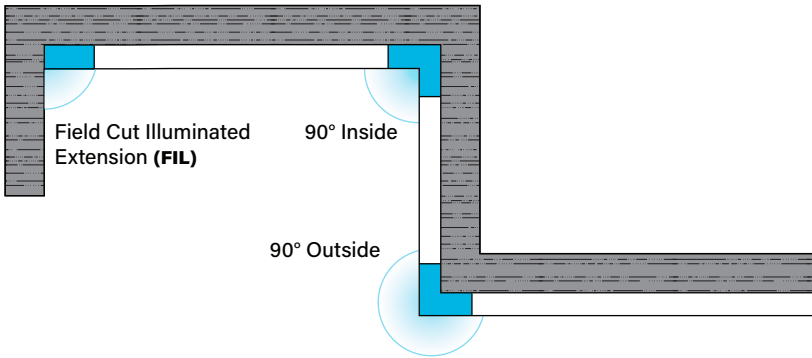


**Pattern**

- Specify pattern shape and overall dimensions (includes corner dimensions)
- 90 degree horizontal corners are 12"x12" (overall, outside dimension)
- Use with Field Cut Illuminated extensions (**FIL**) to fit to wall to wall dimensions
- Not all drivers available with all patterns; consult factory



SI	SO	RI_x	RO_x	UI_x_x	UO_x_x	LI_x	LO_x
Square, Inside ( <b>SI</b> ) or Outside ( <b>SO</b> ) Provide overall length dimension for each fixture leg		Rectangle, Inside ( <b>RI</b> ) or Outside ( <b>RO</b> ) Provide overall length dimension for each fixture leg		U-Shape, Inside ( <b>UI</b> ) or Outside ( <b>UO</b> ) Provide overall length dimension for each fixture leg		L-Shape, Inside ( <b>LI</b> ) or Outside ( <b>LO</b> ) Provide overall length dimension for each fixture leg	



**Mounting**

- Individual units cannot be joined, end trims are factory installed and cannot be removed
- Designed to install into acoustical grid and inaccessible ceilings
- Grid retention brackets integral to housing and require mechanical attachment
- Each housing contains 4 grid retention brackets
- Tie off fixture to structure with retention wires
- Approved for dry/damp location unless otherwise noted

G1	G9	GB	GS	FL	NF	SF
1" (15/16") T-Bar Flange to Flange: 3-1/16" (77.8mm)	9/16" T-Bar For tegular tile installations, fixture position will not be flush to the bottom of the tile Flange to Flange: 3-1/16" (77.8mm)	9/16" T-Bar Rail has bevel edge details. For tegular tile installations, fixture position will be flush to the bottom of the tile Flange to Flange: 3-1/16" (77.8mm)	Screw Slot & 9/16" T-Bar For 9/16" installations with tegular tile, fixture position will be flush to the bottom of the tile Flange to Flange: 3-1/16" (77.8mm)	Exposed Standard 1/2" Flange Detail Flange to Flange: 3-3/8" (85.7mm)	Metal Pan or Millwork Flange to Flange: 2-11/16" (68.2mm)	Drywall, Flangeless Detail Flange to Flange: 4-1/4" (108mm)
Standard Tile	Standard Tile	Tegular Tile	Tegular Tile			
Tegular Tile	Tegular Tile		Tegular Tile			

Specifications and dimensions subject to change without notice. Specification sheets that appear on pinnacle-ltg.com are the most recent version and supersede all other previously printed or electronic versions.



## Mounting: MOD Options

- Specify **MOD** in the part number for any of the below options
- MOD specifications are subject to longer lead-times. Consult factory for more information

**MOD** Alternative Ceiling Solutions

## Voltage

- Some EV2D configurations will not accommodate all voltage options; consult with factory

<b>U</b>	Universal
<b>1</b>	120 volt
<b>2</b>	277 volt
<b>3</b>	347 volt

## Driver

- Standard Driver Option = FSD
- Driver Lifetime: 50,000 hours at 25°C ambient operating conditions
- For more driver options see Pinnacle Resource Guide
- Some EV2D configurations will not accommodate all driver options; consult with factory

### 0-10V Drivers

<b>FSD</b>	Factory Select Driver 1%, 0-10v
<b>PL2</b>	Signify Advance Xitanium 1%, 0-10v
<b>PL4</b>	Advance Xitanium 347v 1%, 0-10v, requires 347v
<b>OL2</b>	eldoLED Optotronic, 1%, 0-10v
<b>OL4</b>	eldoLED Optotronic 347v, 1% 0-10v, requires 347v option
<b>EE1</b>	eldoLED ECOdrive 1%, 0-10v Logarithmic
<b>EE2</b>	eldoLED ECOdrive 1%, 0-10v Linear
<b>ES1</b>	eldoLED SOLOdrive 0-10v, 0.1% Logarithmic
<b>ES2</b>	eldoLED SOLOdrive 0-10v, 0% Linear
<b>OL5</b>	eldoLED Optotronic 1%, 0-10v, AUX
<b>PL5</b>	Advance Xitanium 1%, 0-10v, AUX

### DALI Drivers

<b>EE3</b>	eldoLED ECOdrive .1%, DALI (logarithmic)
<b>ES3</b>	eldoLED SOLOdrive .1%, DALI (logarithmic)
<b>OD1</b>	eldoLED Optotronic 1%, DEXAL
<b>OD2</b>	eldoLED Optotronic 1%, DALI 2 Channel

### Lutron Drivers

<b>LH1</b>	Lutron Hi-lume Soft-on, Fade-to-black 1%, EcoSystem, LDE1
<b>LH4</b>	Lutron Hi-Lume 1%, 2-wire, Lutron-LTEA2W, 120v only

### Alternate Drivers

<b>PS1</b>	Signify Advance Xitanium Step Dimming 50%/100%
<b>PR1</b>	Philips Advance Xitanium SR, requires EASYS, VDO, or VRF
<b>EH1</b>	ELV 120v only, 0-10v universal
<b>EC2</b>	Constant Voltage LED Driver, 120v of 277v required

## Driver: MOD Options

- Specify **MOD** in the part number for any of the below options
- Consult factory for **MOD** specification details, pricing, and lead-time information

**MOD** Power Over Ethernet



## How to Specify Circuiting, Battery and Emergency

- 1**
- Select fixture circuiting from options below
  - Some EV2D configurations will not accommodate all circuiting options, consult with factory

### Circuiting

<b>1</b>	Single Circuit
<b>M</b>	Multi Circuit <i>(Not available with controls)</i>
<b>E</b>	Emergency Circuit only <i>(uses nIO EZ PH ER with NLIGHT)</i>
<b>N</b>	Night Light Circuit only

- 2** + **3**
- Battery and emergency section options are available in addition to fixture circuit
  - Select battery and emergency section options below; factory shop drawing required
  - Some EV2D configurations will not accommodate all circuiting options, consult with factory

### Battery and/or Emergency *If Required*

- 0** No battery or specific emergency section required

### Battery

- Select battery section type if required, indicate total QTY. *Example 2P*
- 90 minute battery runtime; test button location dependant on configuration, consult factory
- No battery option available for 2' & 3' lengths
- Entire fixture is on battery for lengths up to 5'
- Half of fixture is on battery for 6' or 8' housing lengths
- For more battery options available, see Pinnacle Resource Guide

<b>0</b>	No Battery
<b>_FSB</b>	Factory Select Battery (10w option)
<b>_FSBST</b>	Factory Select Battery (10w, Self Testing)
<b>_ILL</b>	Iota 10w Integral Lithium, Self Testing
<b>_IRH</b>	Iota 20w Remote
<b>_PRH</b>	Bodine 20w Remote
<b>_PLL</b>	Bodine 10w Integral Lithium, Self Testing

#### For Approximate Battery Lumen Output

- Multiply battery wattage X fixture LPW shown on Lumen Table
- 92.3 (LPW) x 10 (watts) = 923 battery lumen output

### Emergency

- Select emergency section type if required, indicate total QTY. *Example 1E*
- Combine battery and emergency section ordering codes if both options are selected

<b>_FSG</b>	Factory Select Automatic Load Control Relay (ALCR), UNV
<b>_GI</b>	Emergency Transfer Switch (ETS) DR Emergency Control Device, UNV
<b>_GB</b>	Bodine GTD, Generator Transfer Device, 120v or 277v
<b>_E</b>	Emergency circuit section <i>(NLIGHT ONLY full housing not sections)</i>
<b>_N</b>	Night Light circuit section
<b>_L</b>	Life Safety circuit section NO THROUGH WIRE

#### Battery OR Emergency Ordering Examples

- Single circuit, 10w Integral Battery      Ordering Code: 1-1P
- Emergency only, 10w Integral Battery      Ordering Code: E-1P
- Single circuit, GTD required                  Ordering Code: 1-1G

#### Combination Section Ordering Examples

- Single circuit, (1) 10w battery, (1) emergency section      Ordering Code: 1-1P1E
- Multi circuit, (2) 10w battery, (2) emergency sections      Ordering Code: M-2P2E
- Single circuit, (1) night light section                              Ordering Code: 1-1N

### Finish

- Standard powder-coat textured white, metallic silver, textured black, graphite or bronze painted finish; consult factory for chip of standard paint finishes
- Selecting a fixture finish other than white may impact lumen output; consult factory for more information

<b>W</b>	White
<b>S</b>	Metallic Silver
<b>BL</b>	Textured Black
<b>GR</b>	Graphite
<b>BR</b>	Bronze
<b>CC</b>	Custom Color

Specifications and dimensions subject to change without notice. Specification sheets that appear on pinnacle-ltg.com are the most recent version and supersede all other previously printed or electronic versions.



## Fixture Options

- Additional options to enhance the fixture and finish of the product
- FIL has 2" min - 12" max length

- FIL Option angle range is 40° to 90°
- FIL Option is not IC rated

<b>CP</b>	Chicago Plenum
<b>GLR</b>	Internal Fast Blow Fuse
<b>DSP</b>	Customer Supplied Battery/Driver/Sensor
<b>FIL</b>	Field Cut Illuminated Extension

## Fixture Options: MOD Options

- Specify **MOD** in the part number for any of the below options
- Consult factory for **MOD** specification details, pricing, and lead-time information

<b>MOD</b>	Remote Driver
------------	---------------

## Controls: MOD Options

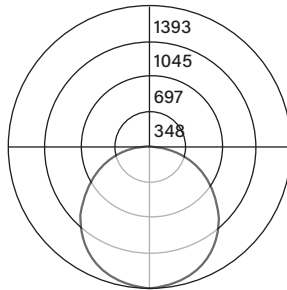
- Specify **MOD** in the part number for any of the below options
- Control** Options may require specific driver. Refer to the chart below
- Consult factory for **MOD** specification details, pricing, and lead-time information

<b>MOD</b>	Required Driver	
	Option	Required Driver
Legrand Wattstopper DLM		OL2, OL4
Encelium Sensilum		OD1, OL5
Enlighted (Wireless) - ENLI		Any 0-10v
Enlighted (Wireless) - ENLC		Any 0-10v
Acuity nLight Air Wireless Connected		EE6, ES6

## Photometrics

### Satine Lens

Test # ITL91423  
 Catalog # EV2D-A-840VHO-4  
 Lumens 3984 lm  
 Watts 36.2 w  
 Efficacy 110 LPW



### Candela Distribution

Vert Angle	Horizontal Angle				
	0	22.5	45	67.5	90
0	1393	1393	1393	1393	1393
5	1388	1387	1388	1390	1390
10	1372	1370	1375	1375	1373
15	1343	1339	1347	1345	1343
20	1302	1295	1302	1301	1298
25	1250	1241	1250	1247	1243
30	1187	1178	1186	1183	1178
35	1114	1105	1112	1105	1102
40	1032	1024	1028	1021	1018
45	942	935	937	930	927
50	846	838	838	832	828
55	739	730	731	723	722
60	627	621	618	612	610
65	508	505	499	494	491
70	387	383	377	375	374
75	264	263	258	255	256
80	148	146	146	145	144
85	52	53	54	55	54
90	0	0	0	0	0

### Luminance Data (cd/sq.m)

Angle In Degrees	Average 0-Deg	Average 45-Deg	Average 90-Deg
45	19508	19404	19197
55	18867	18663	18433
65	17602	17290	17013
75	14937	14597	14484
85	8737	9073	9073

For all available IES files, please visit our website at [pinnacle-ltg.com](http://pinnacle-ltg.com). Photometry testing in accordance to IESNA-LM-79-08 at an NVLAP accredited testing laboratory. Testing conducted at 25°C ambient conditions.

Specifications and dimensions subject to change without notice. Specification sheets that appear on [pinnacle-ltg.com](http://pinnacle-ltg.com) are the most recent version and supersede all other previously printed or electronic versions.

Designed in Denver, CO • USA | [pinnacle-ltg.com](http://pinnacle-ltg.com) | O: 303-322-5570 F: 303-322-5568

EV2DPM\_LED\_SPEC\_NOV2023



## Applications & Certificates

**Housing:** Formed cold-rolled 18 gauge steel housing. Highly reflective die-formed white painted steel reflector.

**Shielding:** Diffuse snap-in acrylic lens, removable for maintenance.

**Mounting:** EDGE is designed to install into acoustical grid and inaccessible ceilings. Specify GXG, FLF, SFS, NFN for individual, unjoinable units (individual units will fall on-grid). Specify GX, FL, SF, NF for continuous runs (runs designed to fall on-grid). Consult factory for detailed installation instructions. Maximum fixture weight is 15lbs per 4' fixture.

**White LED:** 25°C test environment. Lumen output/wattage has a margin of +/- 5%; 2' or 3' lengths may have a greater wattage deviation. Luminaire configurations tested in accordance with IES LM-79. Diodes tested in accordance with IES LM-80. Lifetime calculated using IES TM-21. Minimum lifetime greater than 60,000 hours. Lifetime Projection L70 = 146,500 hours and L90 = 45,000 hours. MacAdam 3-Step Ellipses. Not all products are Lighting Facts listed. For all available IES files, please visit our website at pinnacle-ltg.com. Three lumen packages available. Standard, High (HO) and Very High (VHO). Custom outputs are available. Specify custom lumens or watts between standard offering listed on CRI, CCT & Output page. 80 CRI is available for 3000K, 3500K, and 4000K. 90 CRI is available for 2700K, 3000K, 3500K, and 4000K. 90 CRI = R9≥50.

**BIOS LED:** Spectrum focused lighting for circadian stimulus. EML or M/P ratio: .8 for 3500K, .9 for 4000K. COI >3.0. Not all lumen packages available. Two lumen packages available. Standard, and High (HO). Custom outputs are available. Specify custom lumens or watts between standard offering listed on CRI, CCT & Output page.

**Tunable White LED:** Blanco 3; 3 Channel tunable white for precise black body curve CCT. Self-commissioning with Wattstopper DLM integrated controls. Custom lumen output and color temperature configurations require use of controls.

**Voltage:** Universal (U), 120 volt (1), 277 volt (2) and 347 volt (3) options available. Must specify OL4 in Driver section when 347 volt (3) is selected. Some EDGE configurations will not accommodate all voltage options; consult with factory.

**Driver:** Standard Driver Option is Advance Xitanium 0-10V, 1% = PL2. Electronic driver, power factor is >0.9 with a THD <20%. Driver Lifetime: 50,000 hours at 25°C ambient operating conditions. Ambient operating range: -20°F/-30°C to 98°F/37°C. For more driver options, see Pinnacle Resource Guide. Some EDGE configurations will not accommodate all driver options.

**Circuiting:** Select from single circuit (1), Multi circuit - For multiple circuiting and zone control, requires factory shop drawing (M), Emergency circuit (E), Life Safety (L) or Night Light circuit (N). For emergency circuiting situations that require no through wire or circuit separation, Life Safety Circuit should be selected. This will provide a separate power feed and only the Life Safety Circuit in that section. Some EDGE configurations will not accommodate all circuiting options; consult with factory.

**Battery & Emergency:** Select battery or emergency options if required. If battery or emergency option is not required, enter 0. Battery duration is 90 minutes as standard. Test button location dependant on configuration, consult factory. For more Battery options, see Pinnacle Resource Guide.

**Finish:** Standard powder-coat textured white, metallic silver, textured black, graphite or bronze painted finish; consult factory for chip of standard paint finishes or for additional custom color and finish options.

**Controls:** (B3LM) Wattstopper control of Intensity and CCT for tunable white, allows simple integration into a Wattstopper DLM control system. Blanco 3 offers the highest quality tunable white by mixing three channels of white LEDs for precise black body curve CCT. Uses constant voltage LED driver (EC2), BLM and Blanco 3 channel LED arrays (TW3).

**Labels:** UL and cUL 1598 listed. Standard, HO and VHO lumen packages are IC Rated, approved for dry/damp location unless otherwise noted.

**Fixture Weight:** Maximum fixture weight is 15lbs per 4' fixture.

### Buy American Act Compliant

**Warranty:** EDGE LED offered with a 5-year limited warranty. Covers LED, driver and fixture.