



Standard FINA Fixture



F24D Recessed



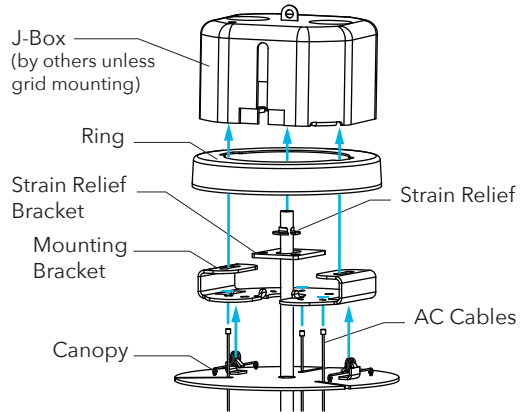
F24D Suspended

AC 3 Cable Installation	2
AH 4 Cable Installation	3
Pendant Installation	4
Canopy Details	5
Surface Mount Installation	6
Grid Installation	7
Flanged Installation	8
Non Flanged Installation	9
Spackle Flange Installation	10
Lens Details	11
Acoustic Details	12



1 AC3 Ceiling Side Mounting

If mounting to utilize flush canopy, prep for ring to be recessed into ceiling. Install proper J-box to support fixture weight, and properly secure to structure (see weight chart). Run SJT cord through canopy and strain relief bracket into J-box, completely compress strain relief and make necessary wiring connections. Pull AC cables through the mounting bracket with ball stud ends above bracket. Install Mounting Bracket and attach canopy to mounting bracket (see page 5 for canopy details).

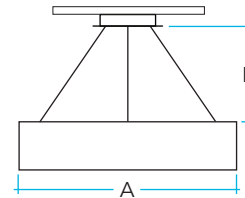


Fixture Weight Chart

14	18	24	36	48
15 lbs	20 lbs	25 lbs	47 lbs	70 lbs

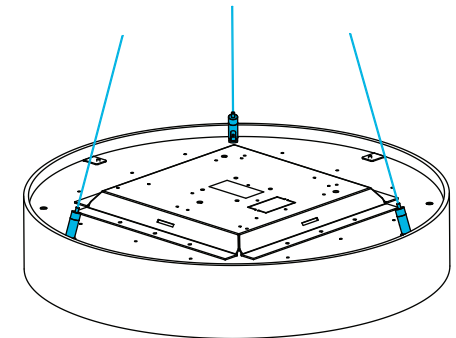
2 AC3 Fixture Side Mounting

Attach AC Cable grippers to fixture by fastening the studs to housing in three equidistant locations. Insert AC cables through grippers and adjust cables up or down to level fixture (see mounting chart for minimum mounting heights).



Mounting Chart

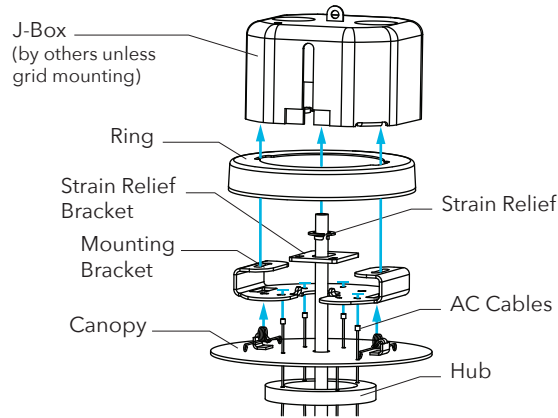
A	B
14"	5-3/4"
18"	6-1/2"
24"	7"
36"	10-1/2"
48"	14"





1 AC4 Ceiling Side Mounting

If mounting to utilize flush canopy, prep for ring to be recessed into ceiling. Install proper J-box to support fixture weight and properly secure to structure (see weight chart). Run SJT cord through canopy and strain relief bracket into J-box, completely compress strain relief and make necessary wiring connections. Pull AC cables through the mounting bracket, canopy, and hub with ball stud ends above bracket. Install Mounting Bracket, and attach canopy to mounting bracket (see page 5 for canopy details).

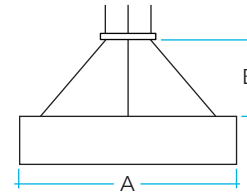


Fixture Weight Chart

14	18	24	36	48
15 lbs	20 lbs	25 lbs	47 lbs	70 lbs

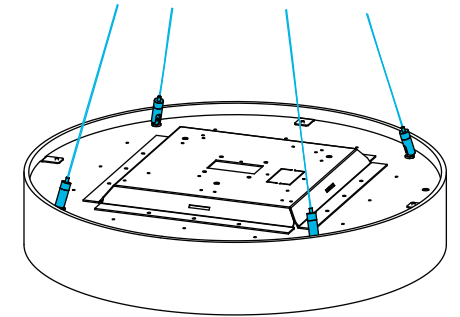
2 AC4 Fixture Side Mounting

Attach AC Cable grippers to fixture by fastening the studs to housing in four equidistant locations. Insert AC cables through grippers and adjust cables up or down to level fixture (see mounting chart for minimum mounting heights).



Mounting Chart

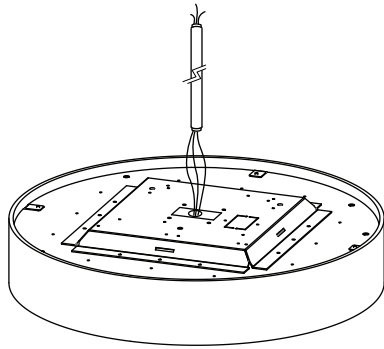
A	B
14"	5-3/4"
18"	6-1/2"
24"	7"
36"	10-1/2"
48"	14"





1 Prepping the Fixture

Run wires through the pendant and making wiring connections at the fixture, recess connections into fixture. Pendant has threaded end, screw into threaded mount hole in fixture.

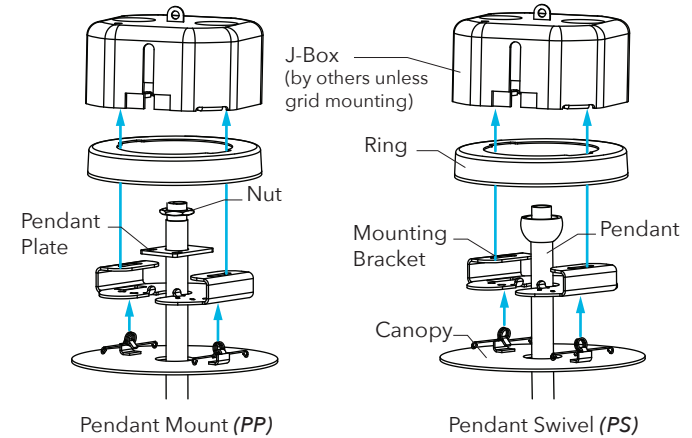


Fixture Weight Chart

14	18	24	36	48
15 lbs	20 lbs	25 lbs	47 lbs	70 lbs

2 Mounting

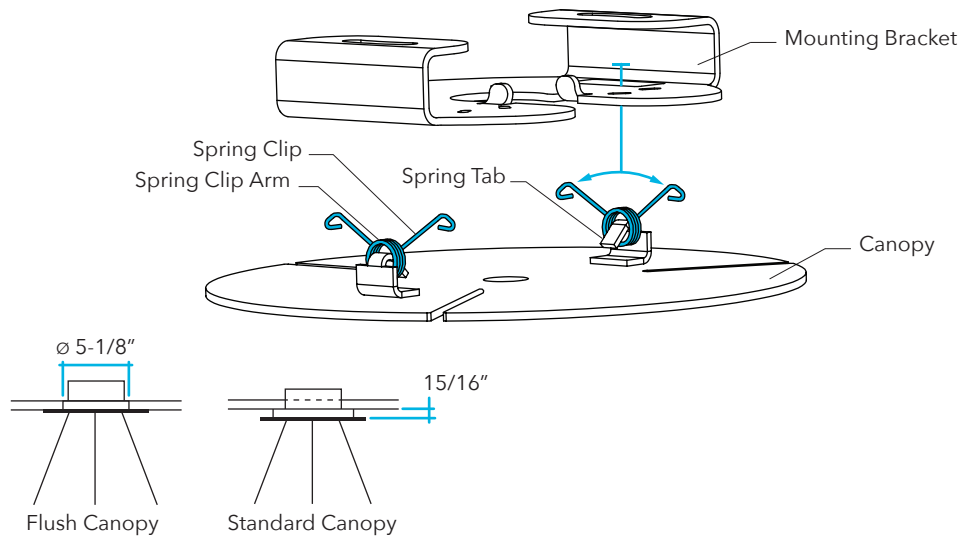
If mounting to utilize flush canopy, prep for ring to be recessed into ceiling. Install proper J-box to support fixture weight and properly secure to structure (see weight chart). Install ring and mounting bracket to J-box. Lift fixture and pendant to Mounting Bracket. If using PS mount slide pendant into Mounting Bracket. If using PP mount, pendant plate will lock into mounting bracket, then screw on nut. Make wire connections, recess connections into J-box, lift and secure canopy (see page 5 for canopy details).





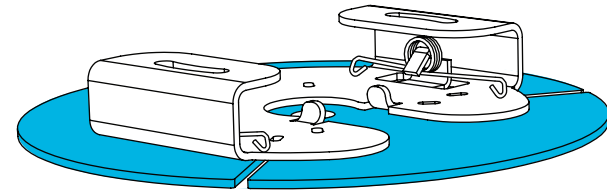
1 Canopy Installation

Fold down spring tabs to secure spring clips. Pull up both arms of the spring clips. Slide spring clip arms into holes in mounting bracket. Springs will straighten themselves securing the canopy to the mounting bracket. If using flush canopy cut 5-1/8" diameter mounting hole for mounting bracket to fit into and recess j box additional 15/16".



2 Canopy Removal

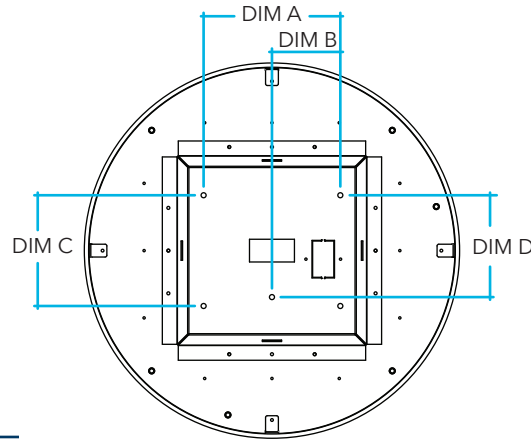
Pull canopy down away from mounting bracket. Spring clip arms will hold onto mounting bracket. To disengage squeeze the arms together and pull them out of the mounting bracket.





1 Mounting Prep

Install proper support to structure in ceiling/ wall to hold fixture weight (see weight chart). Install proper J-Box (by others).



Mounting Hole Location Chart

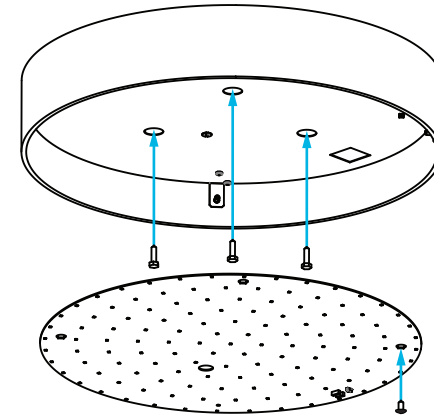
Fixture	A	B	C	D
14"	6-1/4"	N/A	6-1/4"	N/A
18"	8"	4"	N/A	6"
24"	8"	4"	N/A	6"
36"	17"	N/A	8"	N/A
48"	12-3/4"	N/A	12-3/4"	N/A

Fixture Weight Chart

14	18	24	36	48
15 lbs	20 lbs	25 lbs	47 lbs	70 lbs

2 Mounting

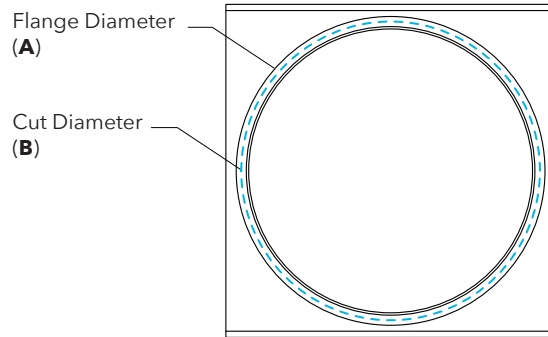
Remove lens by rotating counter clockwise. Make necessary wiring connections to building power. Recess wires into J-Box. Remove center LED Array by removing one black screw. Knock out the 7/8" mount holes (number of holes varies by size of fixture), and mount fixture to surface using appropriate 1/4" hardware (by others). Once mounted, reinstall the LED array by connecting the plug, securing array under the three support tabs, and fastening one screw. Reinstall lens (see page 11 for lens details).





1 Mounting Prep

Set adjustable brackets (*supplied*) on the T-grid mount support to match grid height. Install T-grid mount support into grid, and tie off to structure. Using the chart below cut ceiling tiles to match the size listed for your fixture. Install cut ceiling tile.



Tile Cut Chart

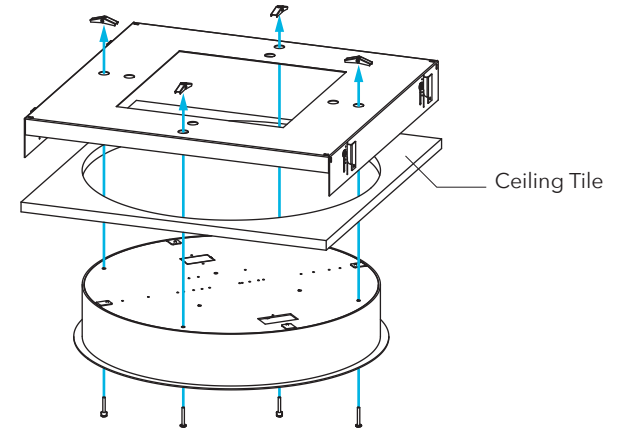
Fixture	A	B
14"	15"	14-1/4"
18"	19"	18-1/4"
24"	22-15/16"	22-3/16"
36"	34-15/16"	34-3/16"
48"	46-15/16"	46-3/16"

Fixture Weight Chart

14	18	24	36	48
15 lbs	20 lbs	25 lbs	47 lbs	70 lbs

2 Mounting

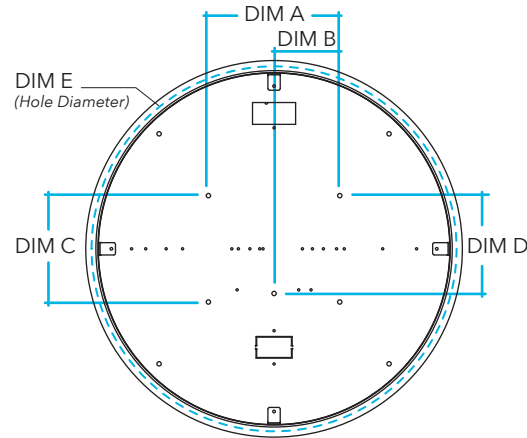
Remove lens by rotating it counter clockwise. Using supplied 1/4" toggle bolts secure the fixture to the T-grid support. Using 1/2" knock outs in electrical cover, make necessary wiring connections to building power. Make sure flange on fixture is level with T-grid, if needed re-adjust bracket on T-grid support. Secure T-grid support to grid with #8 sheet metal screws (*by others*). Reinstall the lens rotating it clockwise (*see page 11 for lens details*).





1 Mounting Prep

Install proper support to structure in ceiling / wall to hold fixture weight (see weight chart). Install proper J-Box (by others).



Mounting Chart

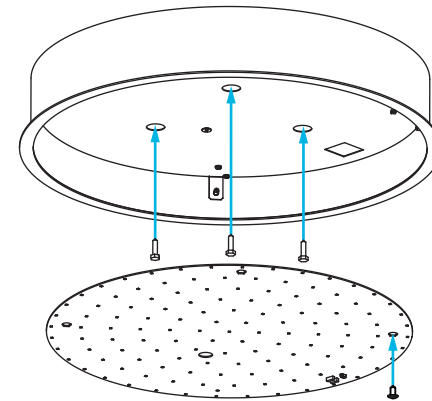
Fixture	A	B	C	D	E
14"	6-1/4"	N/A	6-1/4"	N/A	14-1/4"
18"	8"	4"	N/A	6"	18-1/4"
24"	8"	4"	N/A	6"	22-3/16"
36"	17"	N/A	8"	N/A	34-3/16"
48"	12-3/4"	N/A	12-3/4"	N/A	46-3/16"

Fixture Weight Chart

14	18	24	36	48
15 lbs	20 lbs	25 lbs	47 lbs	70 lbs

2 Mounting

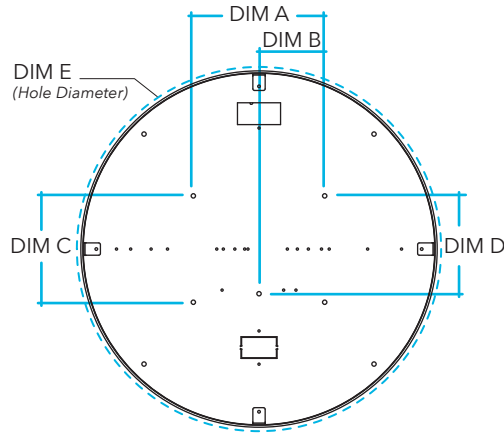
Remove lens by rotating counter clockwise. Make necessary wiring connections to building power. Recess wires into J-Box. Remove center LED Array by removing one black screw. Knock out the 7/8" mount holes (number of holes varies by size of fixture), and mount fixture to surface using appropriate 1/4" hardware (by others). Once mounted, reassemble the LED array by connecting the plug, securing array under the three support tabs, and fastening one screw. Reinstall lens (see page 11 for lens details).





1 Mounting Prep

Install proper support to structure in ceiling / wall to hold fixture weight (see weight chart). Install proper J-Box (by others).



Mounting Chart

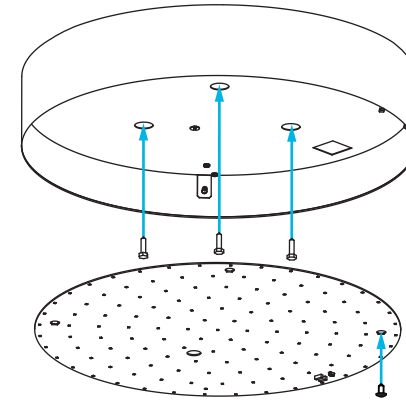
Fixture	A	B	C	D	E
14"	6-1/4"	N/A	6-1/4"	N/A	14-1/4"
18"	8"	4"	N/A	6"	18-1/4"
24"	8"	4"	N/A	6"	22-3/16"
36"	17"	N/A	8"	N/A	34-3/16"
48"	12-3/4"	N/A	12-3/4"	N/A	46-3/16"

Fixture Weight Chart

14	18	24	36	48
15 lbs	20 lbs	25 lbs	47 lbs	70 lbs

2 Mounting

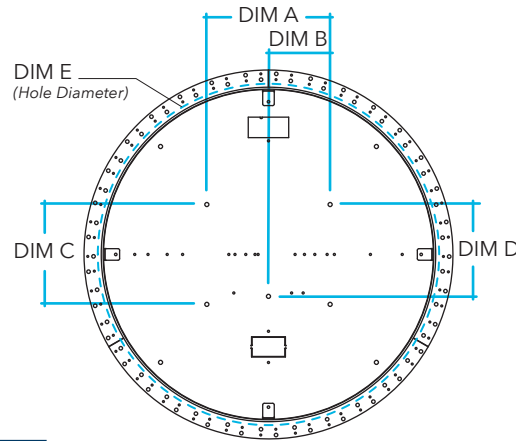
Remove lens by rotating counter clockwise. Make necessary wiring connections to building power. Recess wires into J-Box. Remove center LED Array by removing one black screw. Knock out the 7/8" mount holes (number of holes varies by size of fixture), and mount fixture to surface using appropriate 1/4" hardware (by others). Once mounted, reassemble the LED array by connecting the plug, securing array under the three support tabs, and fastening one screw. Reinstall lens (see page 11 for lens details).





1 Mounting Prep

Install proper support to structure in ceiling / wall to hold fixture weight (see weight chart). Install proper J-Box (by others).



Mounting Chart

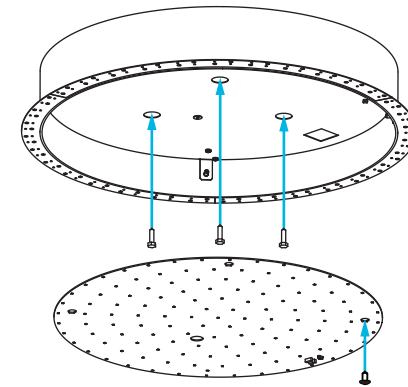
Fixture	A	B	C	D	E
14"	6-1/4"	N/A	6-1/4"	N/A	14-1/4"
18"	8"	4"	N/A	6"	18-1/4"
24"	8"	4"	N/A	6"	22-3/16"
36"	17"	N/A	8"	N/A	34-3/16"
48"	12-3/4"	N/A	12-3/4"	N/A	46-3/16"

Fixture Weight Chart

14	18	24	36	48
15 lbs	20 lbs	25 lbs	47 lbs	70 lbs

2 Mounting

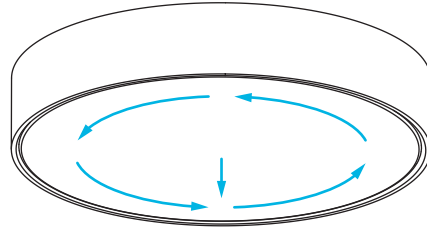
Remove lens by rotating counter clockwise. Make necessary wiring connections to building power. Recess wires into J-Box. Remove center LED Array by removing one black screw. Knock out the 7/8" mount holes (number of holes varies by size of fixture), and mount fixture to surface using appropriate 1/4" hardware (by others). Once mounted, screwing through flange, fasten the flange to surface, reassemble the LED array by connecting the plug, securing array under the three support tabs, and fastening one screw. Reinstall lens (see page 11 for lens details).





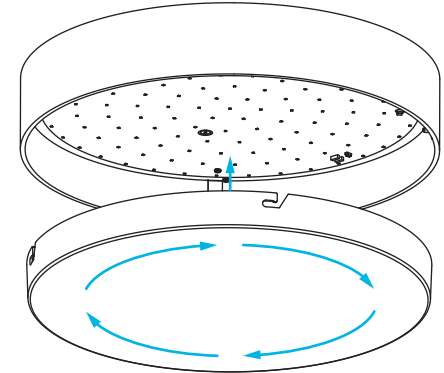
1 Lens Removal

Remove lens by turning lens counter clockwise and lowering it out of the fixture



2 Lens Installation

Install lens by lining up notches in lens with studs in fixture. Push in and turn clockwise as far as it will go. Make sure lens is fully engaged when installing.

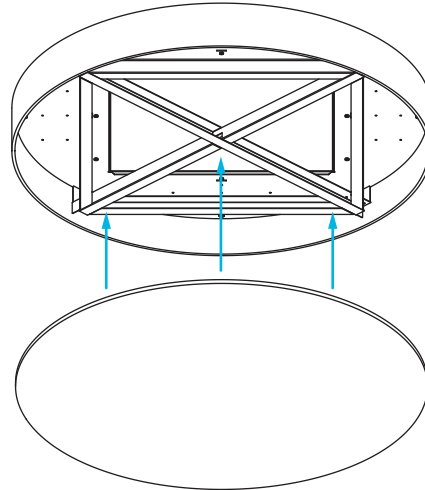




For use with Surface, Flanged and Non flanged mounting options.

1 Acoustic Panel Installation

Line up hook-and-loop on sound absorption panel with hook-and-loop inside housing. Press panel firmly into housing.



DISCLAIMERS

*All of Pinnacle's packaging is recyclable with the exception of the straps on the pallets. Please reach out to the factory if you need assistance in recycling any packaging components.
This product must be installed in accordance with applicable installation and electrical codes by a professional familiar with the construction and operation of the product.
Minimum 90°C supply conductor.
All electrical connections must be performed by a certified electrician to applicable local and nation-*

*al electrical codes.
Damaged components must never be used.
It is the responsibility of the installer to make sure the lens is fully engaged.
Contact Pinnacle prior to making any fixture alterations.
Contact Pinnacle with any installation questions or field issues.*