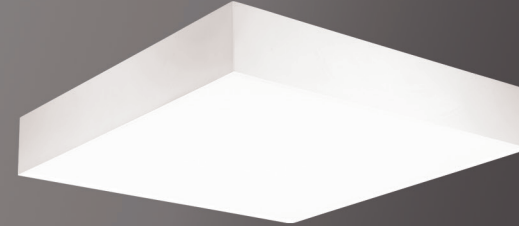




## Standard LiFT Fixture



LF22D Recessed



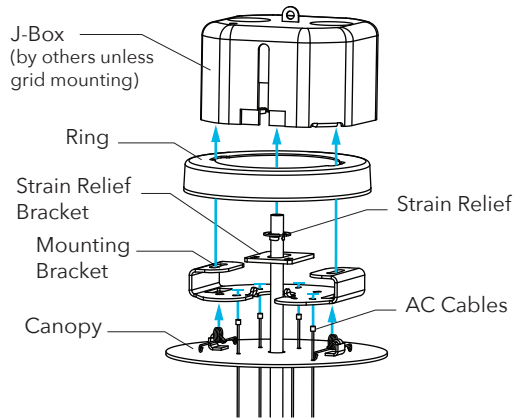
LF22D Suspended

AC 4 Cable Installation .....	2
AH 4 Cable Installation .....	3
AS 4 Cable Installation .....	4
Pendant Installation .....	5
Canopy Details .....	6
Surface Mount Installation .....	7
Grid Installation .....	8
<b>GF Mount</b> - 1x1 Grid Installation .....	9
Flanged Installation .....	10
Spackle Flange Installation .....	11
Lens Details .....	12
Acoustic Details .....	13



**1 AC4 CEILING SIDE MOUNTING**

If mounting to utilize flush canopy, prep for ring to be recessed into ceiling (see page 6 for canopy details). Install proper J-box to support fixture weight, and properly secure to structure (see weight chart). Run SJT cord through canopy and strain relief bracket into J-box, completely compress strain relief and make necessary wiring connections. Pull AC cables through the mounting bracket with ball stud ends above bracket. Install Mounting Bracket and attach canopy to mounting bracket (see page 6 for canopy details).

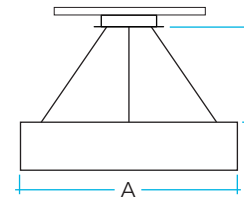


**Fixture Weight Chart**

1x1	1x2	1x4	2x2	2x4	4x4
15 lbs	20 lbs	30 lbs	30 lbs	50	85 lbs

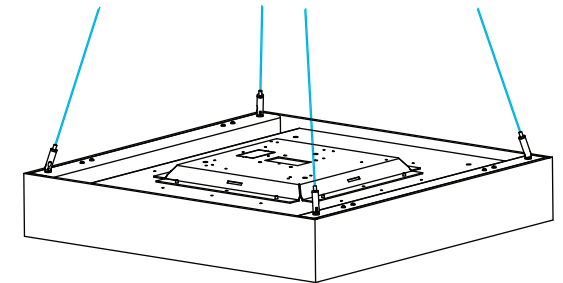
**2 AC4 FIXTURE SIDE MOUNTING**

Attach AC Cable grippers to fixture by fastening the studs to housing in 4 corners. Insert AC cables through grippers and adjust cables up or down to level fixture (see mounting chart for minimum mounting heights).



**Mounting Chart**

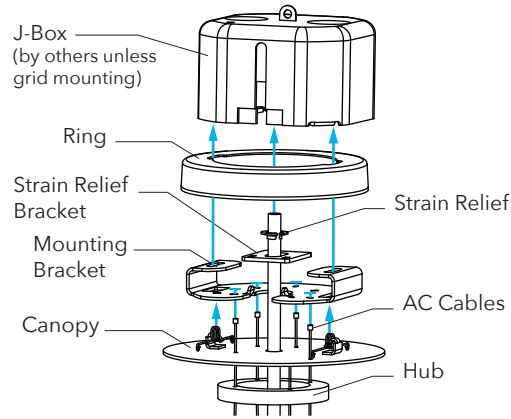
A	B
14"	5-3/4"
18"	6-1/2"
24"	7"
36"	10-1/2"
48"	14"





**1 AH4 Ceiling Side Mounting**

If mounting to utilize flush canopy, prep for ring to be recessed into ceiling (see page 6 for canopy details). Install proper J-box to support fixture weight and properly secure to structure (see weight chart). Run SJT cord through canopy and strain relief bracket into J-box, completely compress strain relief and make necessary wiring connections. Pull AC cables through the mounting bracket, canopy, and hub with ball stud ends above bracket. Install Mounting Bracket, and attach canopy to mounting bracket (see page 6 for canopy details).

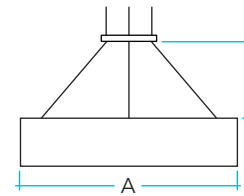


**Fixture Weight Chart**

1x1	1x2	1x4	2x2	2x4	4x4
15 lbs	20 lbs	30 lbs	30 lbs	50	85 lbs

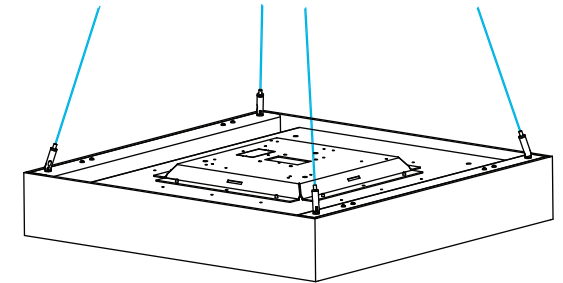
**2 AH4 Fixture Side Mounting**

Attach AC Cable grippers to fixture by fastening the studs to housing in four equidistant locations. Insert AC cables through grippers and adjust cables up or down to level fixture (see mounting chart for minimum mounting heights).



**Mounting Chart**

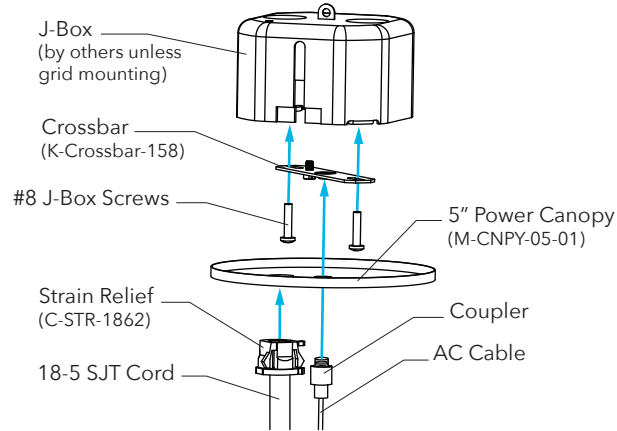
A	B
14"	5-3/4"
18"	6-1/2"
24"	7"
36"	10-1/2"
48"	14"





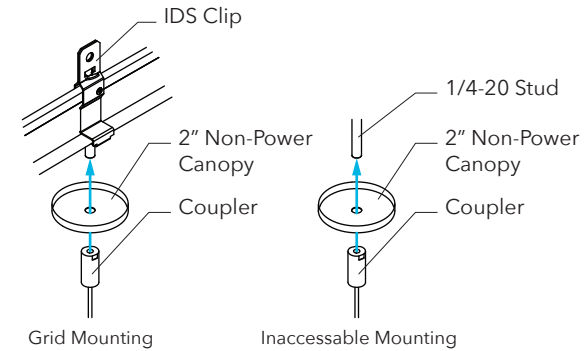
**1 AS4 CEILING SIDE POWER MOUNT**

Install crossbar to J-Box (*by others unless grid mounting*). Run SJT cord through canopy, secure with strain relief, and make wiring connections inside of J-Box. Feed aircraft cable through coupler, secure canopy to crossbar using coupler.



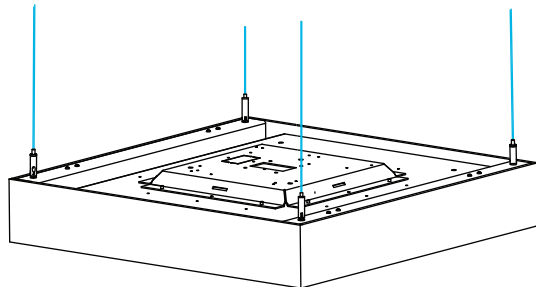
**2 AS4 CEILING SIDE NON POWER MOUNT**

Install 1/4-20 stud (*by others*) or IDS Clip (*by others*) for non-power mounts (*1/2" below ceiling plane*). Secure canopy to stud or IDS clip using coupler.



**3 AS4 FIXTURE MOUNT**

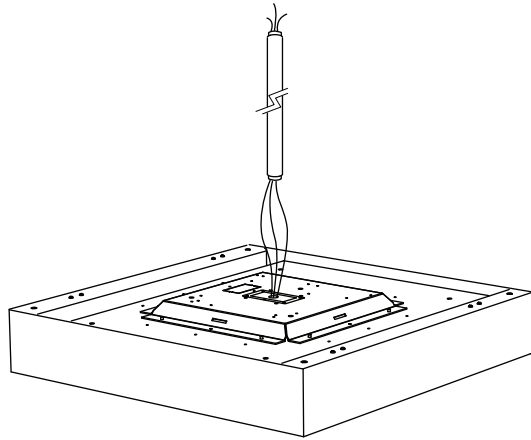
Attach AC Cable grippers to fixture by fastening the studs to housing in four corners. Attach AC cables to grippers and adjust cables up or down to level fixture.





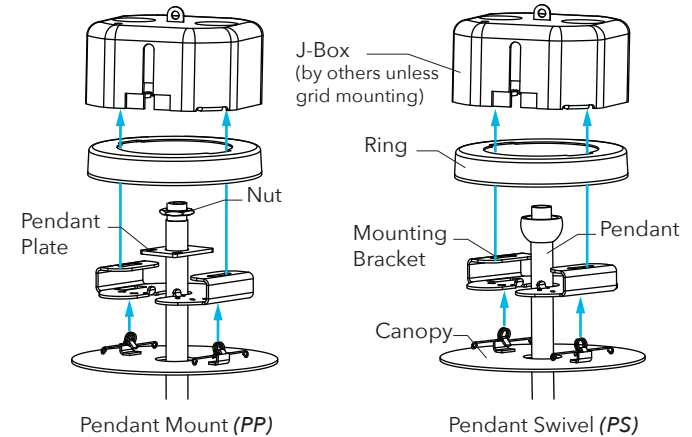
**1 PREPPING THE FIXTURE**

Run wires from fixture through the pendant. Screw pendant into threaded hole in fixture.



**2 MOUNTING**

If mounting to utilize flush canopy, prep for ring to be recessed into ceiling. Install proper J-box to support fixture weight and properly secure to structure (see weight chart). Install ring and mounting bracket to J-box. Lift fixture and pendant to Mounting Bracket. If using PS mount slide pendant into Mounting Bracket. If using PP mount, lock pendant plate into mounting bracket and screw on nut. Make wire connections, recess connections into J-box, lift and secure canopy (see page 6 for canopy details).



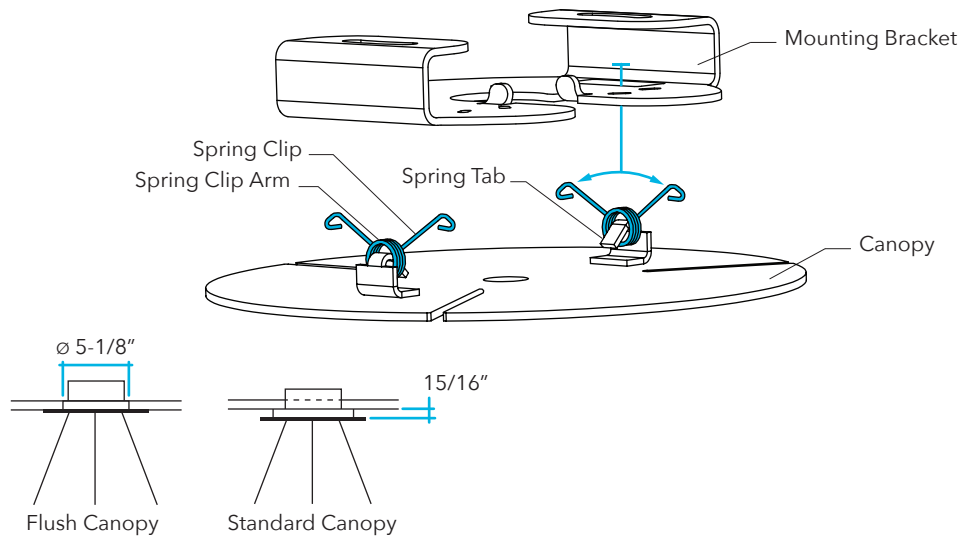
**Fixture Weight Chart**

1x1	1x2	1x4	2x2	2x4	4x4
15 lbs	20 lbs	30 lbs	30 lbs	50	85 lbs



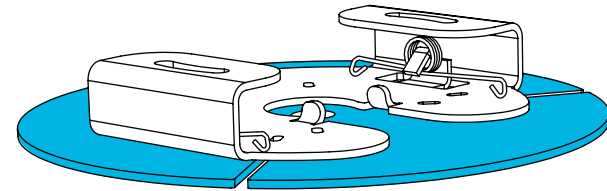
## 1 Canopy Installation

Fold down spring tabs to secure spring clips. Pull up both arms of the spring clips. Slide spring clip arms into holes in mounting bracket. Springs will straighten themselves securing the canopy to the mounting bracket. If using flush canopy cut 5-1/8" diameter mounting hole for mounting bracket to fit into and recess j box additional 15/16".



## 2 Canopy Removal

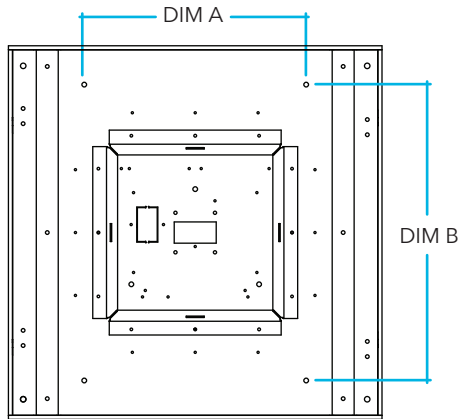
Pull canopy down away from mounting bracket. Spring clip arms will hold onto mounting bracket. To disengage squeeze the arms together and pull them out of the mounting bracket.





**1 MOUNTING PREP**

Install proper support to structure in ceiling/wall to hold fixture weight (see weight chart). Install proper J-Box (by others).



**Mounting Hole Location Chart**

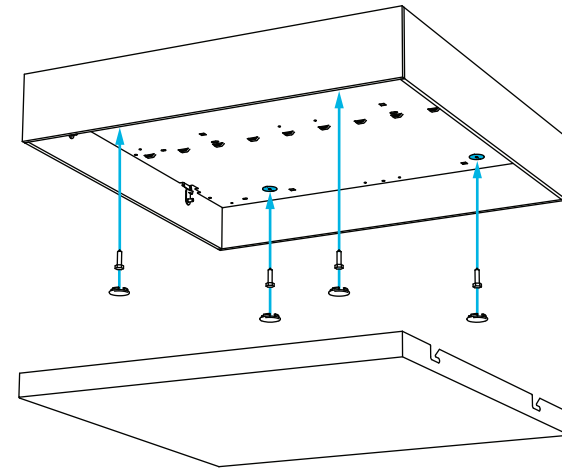
Fixture	A	B
1x1	10-5/16"	8"
1x2	2-5/16"	16-13/16"
1x4	2-5/16"	39-3/8"
2x2	13-7/8"	18-1/2"
2x4	13-7/8"	41-11/16"
4x4	37-1/16"	41-11/16"

**Fixture Weight Chart**

1x1	1x2	1x4	2x2	2x4	4x4
15 lbs	20 lbs	30 lbs	30 lbs	50	85 lbs

**2 MOUNTING**

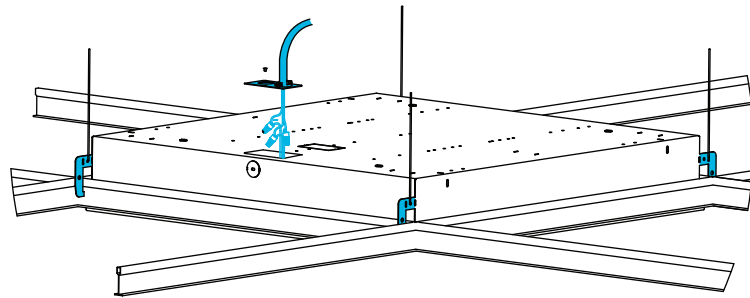
Remove lens (see page 12 for details). Make necessary wiring connections to building power. Recess wires into J-Box. Knock out the four 7/8" mount holes, and mount fixture to surface using appropriate 1/4" hardware (by others). Once mounted reinstall lens.





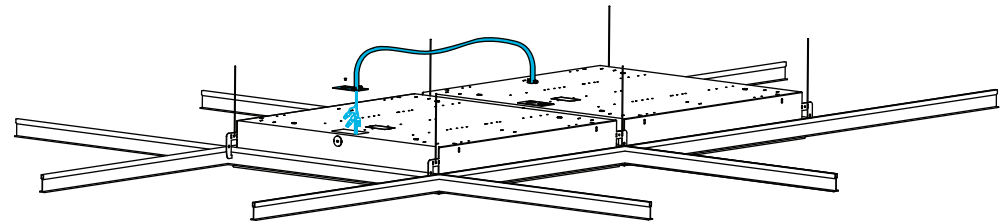
**1 MOUNTING & POWER**

Position fixture up through grid opening. Lower fixture so fixture flanges rest on T-Grid. Tie off fixture to structure with retention wires (*by others*). Remove electrical cover, remove knockout, attach building supplied conduit. Make electrical connections, recess wires into fixture cavity and attach cover.



**2 OPTIONAL THROUGH WIRING**

Fixtures are shipped with knock out removed and wires for joining fixtures extended from housing. Pull wiring from fixture 1 into fixture 2. Make wiring connections in fixture 2. (*Note: shown with optional flex whip.*)



**Grid Prep Chart**

Fixture	A	B
1x1	12-5/8'	12-5/8'
1x2	12-5/8'	24"
1x4	12-5/8'	48"
2x2	24"	24"
2x4	24"	48"
4x4	48"	48"

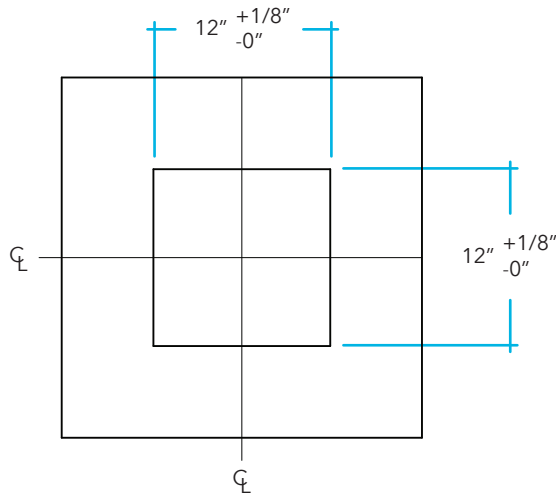
*Note: LiFT 1x1, 1x2, & 1x4 do not fit into standard 1' grid spacing.*





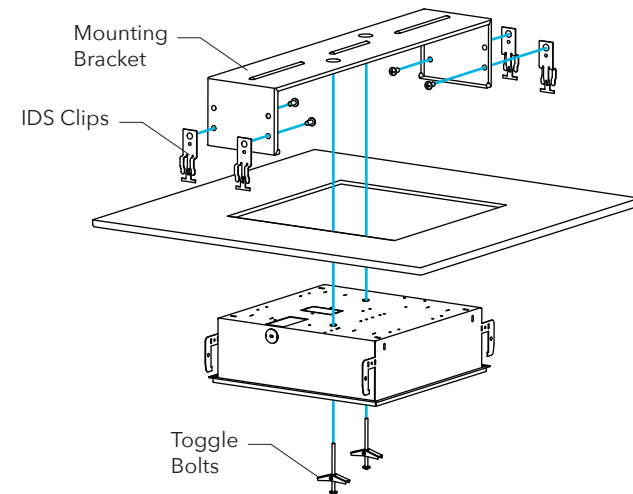
## 1 MOUNTING PREP

Install IDS clips on T-grid 9-3/8" from inner side of grid and 3" apart. Cut out center of ceiling tile as shown. Install mounting bracket with (4) 1/4-20x1/2 bolts through IDS clips.



## 2 MOUNTING

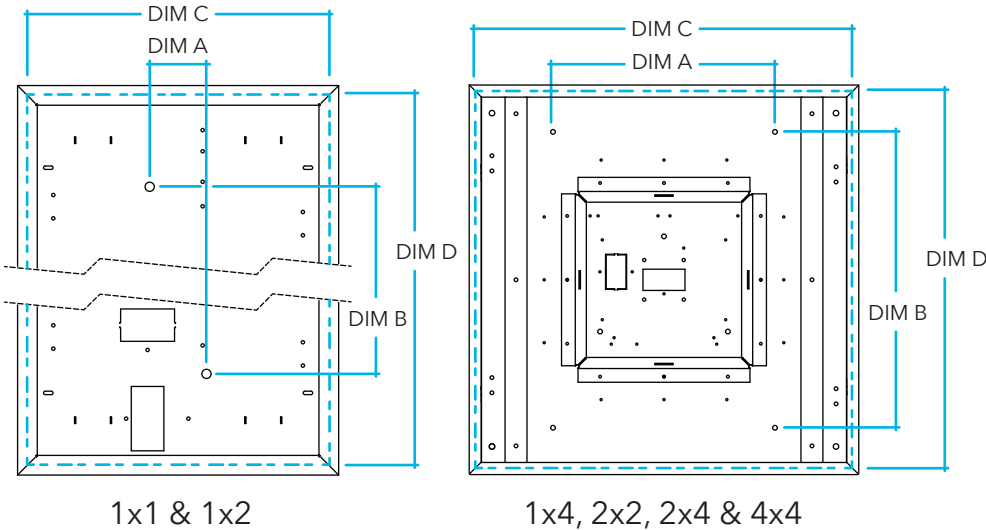
Lift and shift fixture through opening in tile and secure by pushing toggle bolt through mounting bracket holes until the toggle snaps open. Pull back on screw to keep the wings from spinning while you tighten the screw. Tighten until flanges are flush with tile. Remove electrical cover, remove knockout, attach building supplied conduit. Make electrical connections, recess wires into fixture cavity and attach cover. Install the lens (see page 12 for details).





**1 MOUNTING PREP**

Install proper support to structure in ceiling/wall to hold fixture weight (see weight chart). Install proper J-Box (by others).



**Mounting Prep Chart**

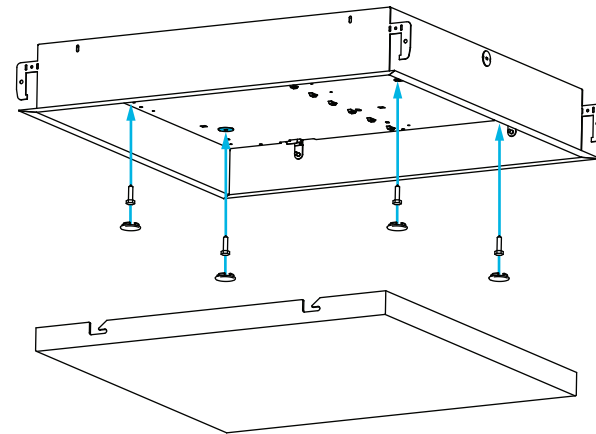
Fixture	A	B	C	D
1x1	2-5/16'	6-15/16"	12"	12"
1x2	2-5/16"	16-3/16"	12"	24"
1x4	2-5/16"	39-3/8"	12"	48"
2x2	13-7/8"	18-1/2"	24"	24"
2x4	13-7/8"	41-11/16"	24"	48"
4x4	37-1/16"	41-11/16"	48"	48"

**Fixture Weight Chart**

1x1	1x2	1x4	2x2	2x4	4x4
15 lbs	20 lbs	30 lbs	30 lbs	50	85 lbs

**2 MOUNTING**

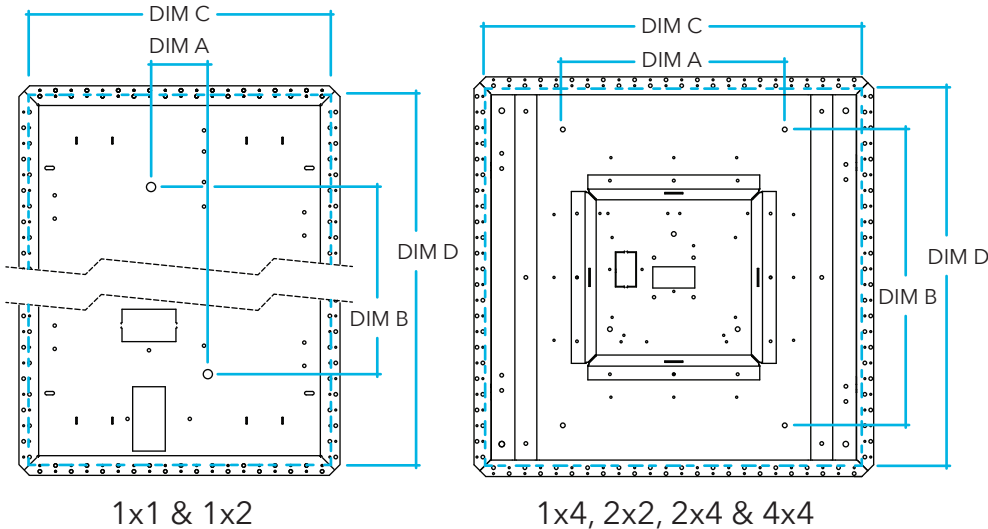
Remove lens (see page 12 for details). Make necessary wiring connections to building power. Recess wires into J-Box. Knock out the four 7/8" mount holes, and mount fixture to surface using appropriate 1/4" hardware (by others). Once mounted reinstall lens.





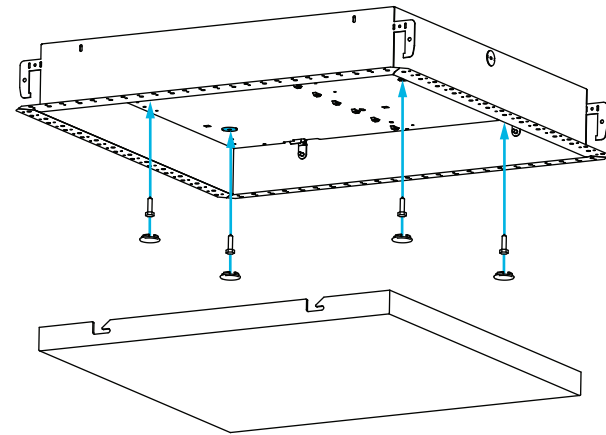
**1 MOUNTING PREP**

Install proper support to structure in ceiling/wall to hold fixture weight (see weight chart). Install proper J-Box (by others).



**2 MOUNTING**

Remove lens (see page 12 for details). Make necessary wiring connections to building power. Recess wires into J-Box. Knock out the four 7/8" mount holes, and mount fixture to surface using appropriate 1/4" hardware (by others). Once Mounted, secure flange to ceiling by screwing through flange into drywall, use at least 4 screws per side (by others). Reinstall lens.



**Mounting Prep Chart**

Fixture	A	B	C	D
1x1	2-5/16'	6-15/16"	12"	12"
1x2	2-5/16"	16-3/16"	12"	24"
1x4	2-5/16"	39-3/8"	12"	48"
2x2	13-7/8"	18-1/2"	24"	24"
2x4	13-7/8"	41-11/16"	24"	48"
4x4	37-1/16"	41-11/16"	48"	48"

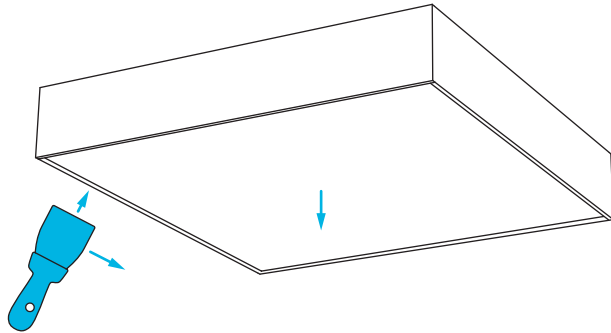
**Fixture Weight Chart**

1x1	1x2	1x4	2x2	2x4	4x4
15 lbs	20 lbs	30 lbs	30 lbs	50	85 lbs



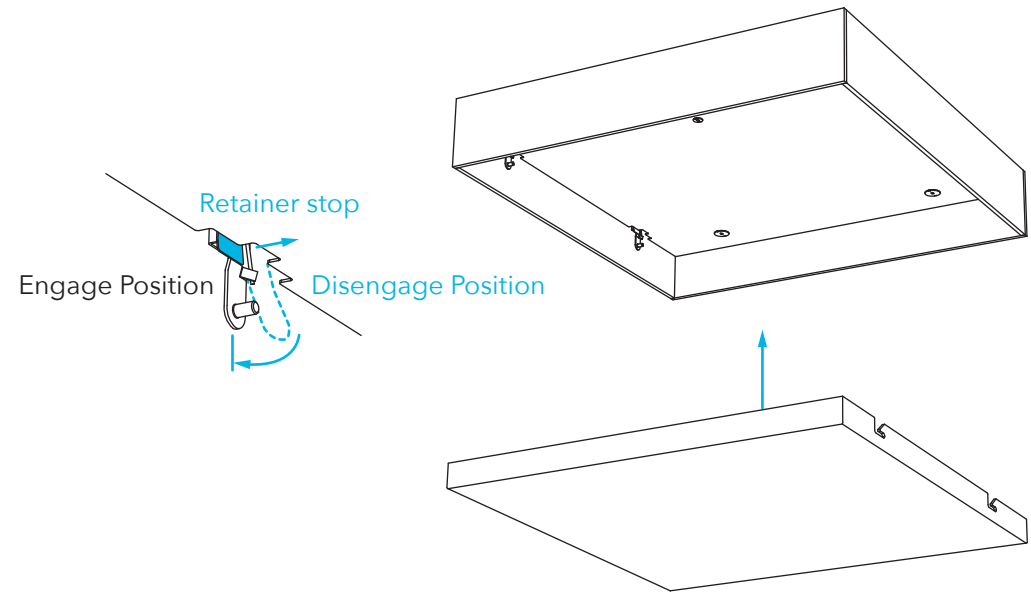
## 1 LENS REMOVAL

Look along lens edge gaps to locate the latches that secure the lens. (two latches on one side, two more on the opposite side. 4x4 will have 6 total latches, 1 on each of the other sides so every side of the lens is latched). While supporting lens, insert putty knife in lens gap adjacent to latch and slide in counterclockwise direction to disengage latch. When all latches have been disengaged lens can be lowered out of fixture.



## 2 LENS INSTALLATION

Before installing lens make sure all latches are perpendicular to reflector, if needed reset latches brackets. To reset the latch, pry retainer stop up away from the latch bracket to allow latch bracket to rotate to lens engagement position (latch bracket will be in perpendicular orientation to fixture opening). Push lens into fixture - latches automatically capture lens.



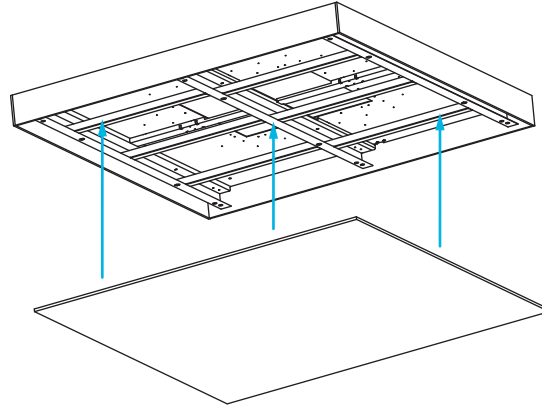


For use with Surface, Flanged and Non flanged mounting options.



## 1 Acoustic Panel Installation

Line up hook-and-loop on sound absorption panel with hook-and-loop inside housing. Press panel firmly into housing.



### DISCLAIMERS

All of Pinnacle's packaging is recyclable with the exception of the straps on the pallets. Please reach out to the factory if you need assistance in recycling any packaging components.

This product must be installed in accordance with applicable installation and electrical codes by a professional familiar with the construction and operation of the product.

Minimum 90°C supply conductor.

All electrical connections must be performed by a certified electrician to applicable local and national

electrical codes.

Damaged components must never be used.

It is the responsibility of the installer to make sure the lens is fully engaged.

Contact Pinnacle prior to making any fixture alterations.

Contact Pinnacle with any installation questions or field issues.

Torques applied must be suitable for loading.