



LIFT



ARCHITECTURAL RECESSED SOLUTIONS

ELEGANT DESIGN, SMART PERFORMANCE





LiFT

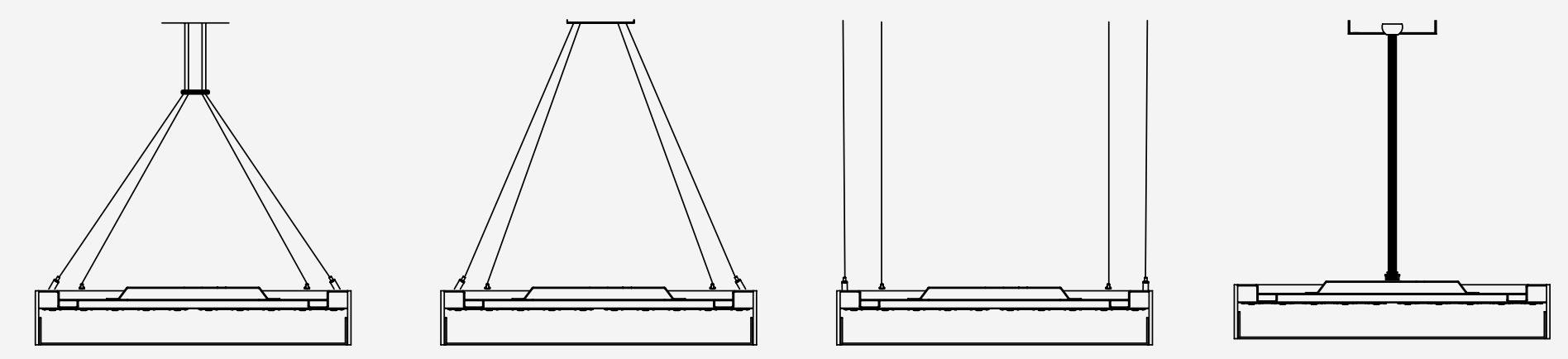
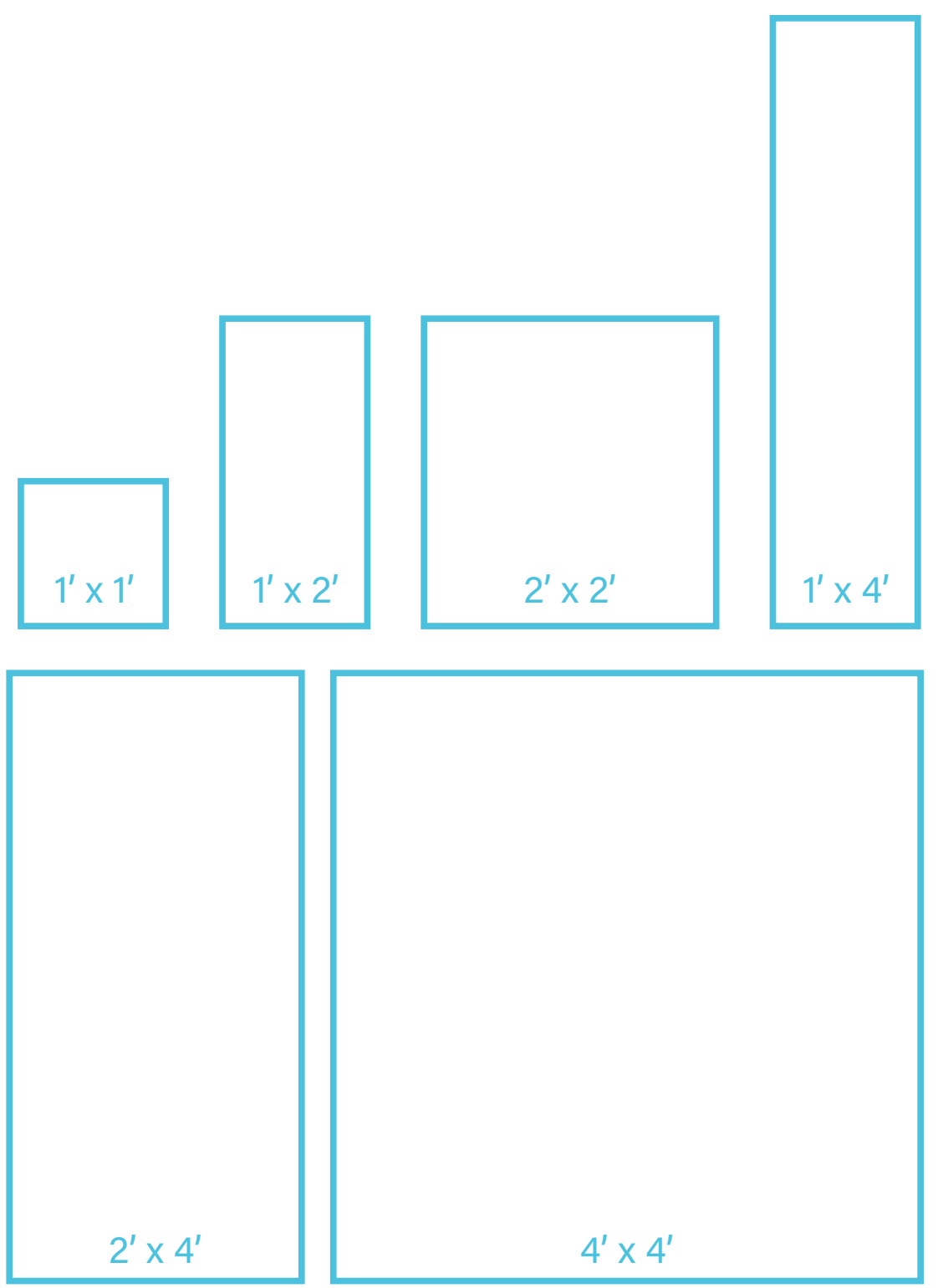
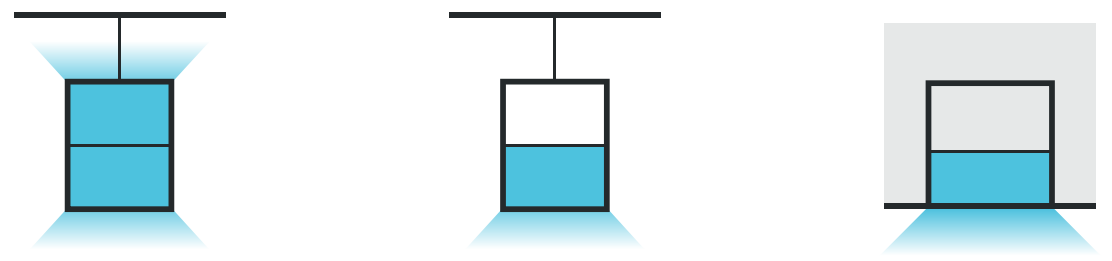
LiFT's clean lines and harmonious proportions are best displayed in patterns. The lens was designed with a proprietary blend that allows for even illumination across the face. Now available in 3 different positions.

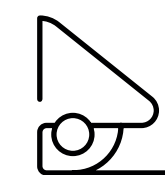
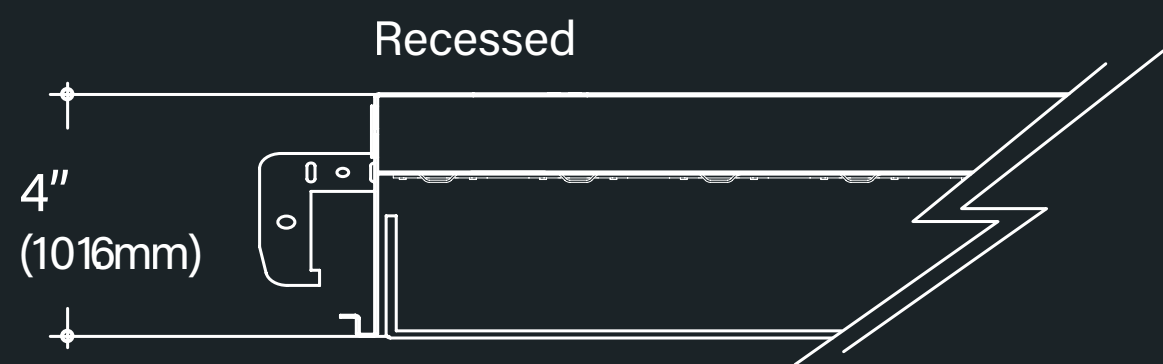
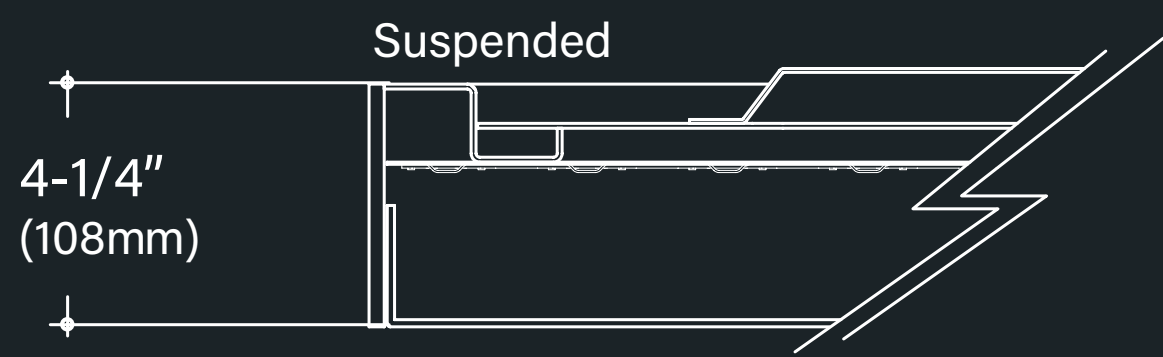
Low power density and a shallow housing profile make LiFT versatile and efficient.

Triple the number of chips per board with tighter packaging create greater coverage overlap and less chance of diode imaging.

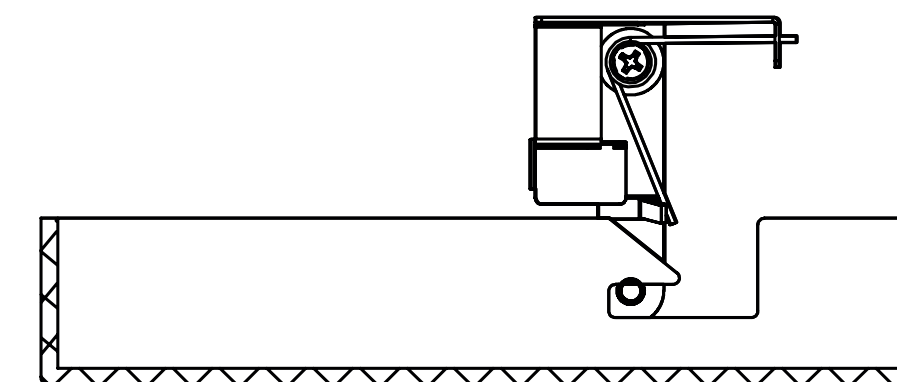


LiFT's six different fixture profiles are available to be suspended, recessed, or surface mounted in both ceiling and wall applications.

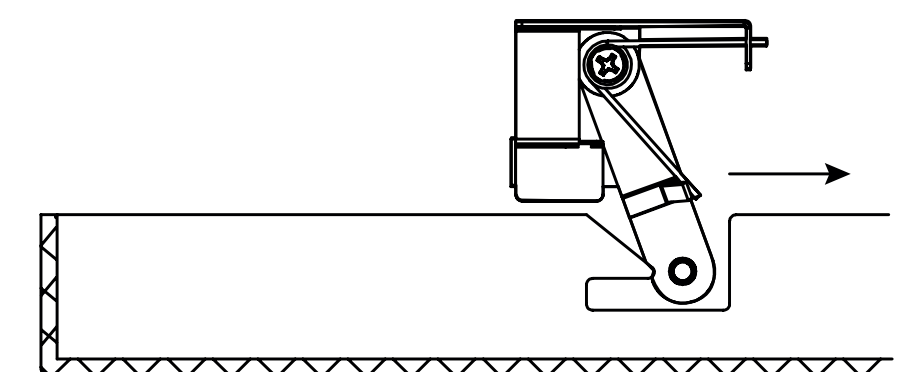




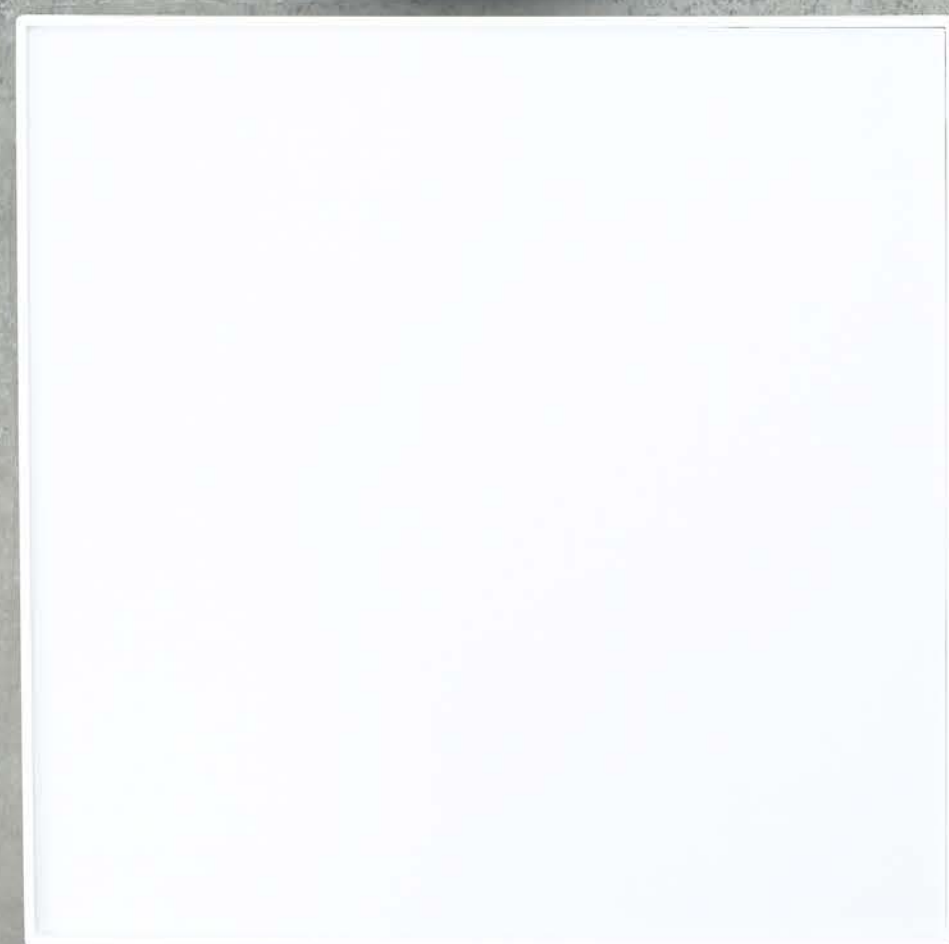
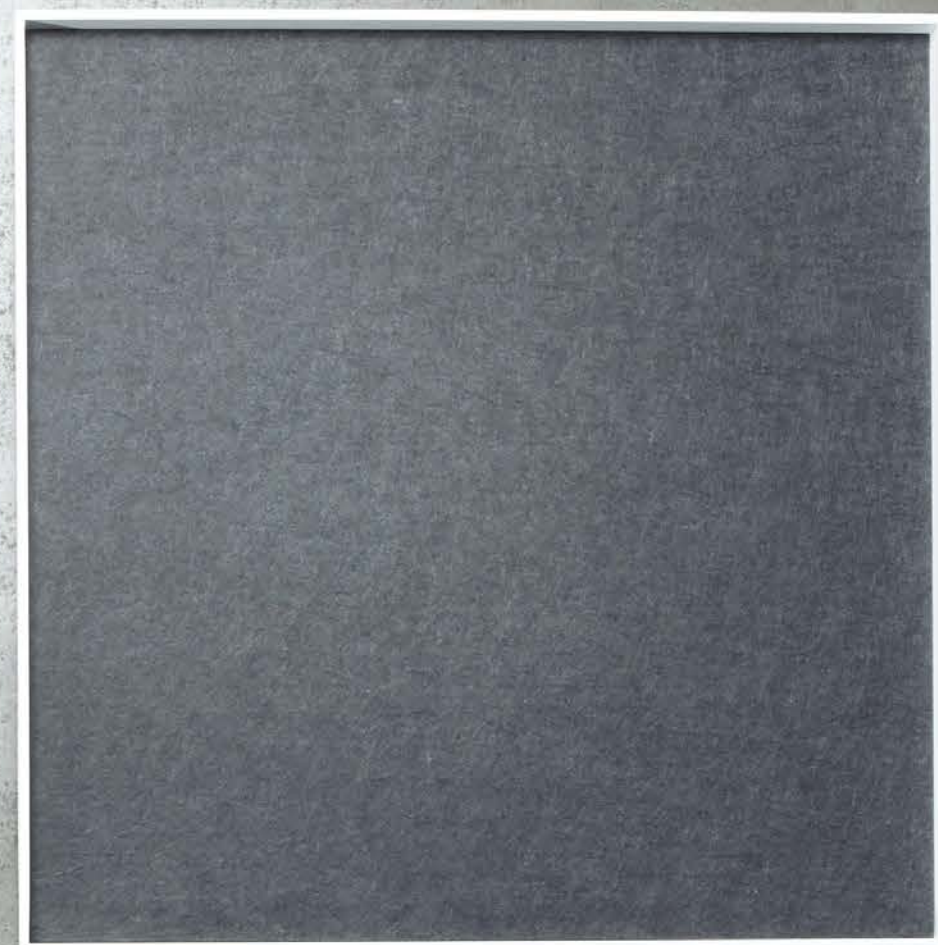
The new lens mechanism allows for simple insertion and removal. No more lift and shift, allowing for in wall applications.



1. Insert thin tool between housing and lens.



2. Click lever to side.
3. Pull lens down to remove.



CIRCLE & SQUARE: A WONDERFUL PAIR

Complete the look of your design with other fixtures in Pinnacle's geometric families — including FINA. Finish the design of your space with this dynamic duo, both in form and function.

Both LiFT and FINA are available with Acoustic Solutions.



P I N N A C L E
ARCHITECTURAL LIGHTING®

3801 Havana St. Denver CO, 80239

Phone: 303.322.5570

www.pinnacle-ltg.com

December 2020

© 2020 Pinnacle Architectural
Lighting®

Specifications and dimensions subject to change without notice. Specification sheets and brochures that appear on pinnacle-ltg.com are the most recent version and supersede all other previously printed or electronic versions.

A brand of  **legrand**®