

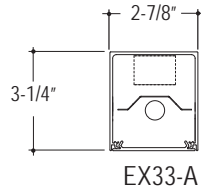
**CONSTRUCTION** 6063-T5 Extruded aluminum housing. Highly reflective die-formed white painted aluminum reflector, .125" diffuse snap-in acrylic lens with matte finish, removable for lamp replacement.

**ELECTRICAL** Standard T5 and T5HO: Program start 120/277 volt integral electronic ballast with less than 10% THD. Through wiring with quick connects standard. Standard single circuit. Each ballast provided with disconnects to meet luminaire disconnect code requirement.

**MOUNTING** Aircraft cable, 1/2" diameter rigid stem pendant, wall and surface mount available. Adjustable aircraft cable mounts on 4'-0" 8'-0" and 12'-0" centers. Aircraft Cable supplied with 5" power and 2" non-power canopies. Refer to installation instructions for appropriate ceiling detail and rigid pendant details. Pendants, canopies, and power cords are painted white unless otherwise specified.

**FINISH** Standard powder-coat textured white painted finish. Consult factory for custom colors.

**LABELS** UL and cUL Listed, approved for dry/damp location unless otherwise noted.



**LUMINAIRE SPECIFICATION**

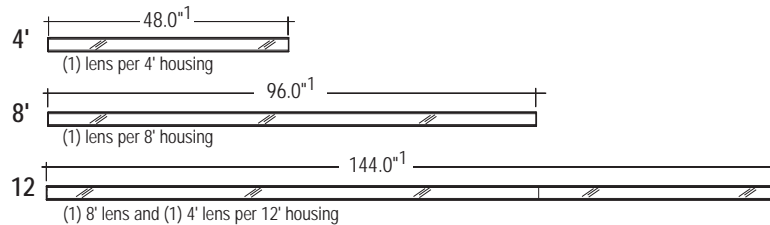
Sample Catalog #: EX33-A-N-1T5-24-AC48G1-120-1C-W

HOUSING	DIRECT	INDIRECT	LAMPS	LENGTH	MOUNTING	VOLTAGE	CIRCUIT/WIRING <sup>5</sup>	FINISH	OPTIONS
EX33- Edge EX 3 x 3		N- None, Closed	Individual Units 4- 4' 8- 8' 12- 12' Continuous Runs xx'- Specify nominal overall row length in 4' increments			120- 120 V 277- 277 V 347- 347 V <sup>4</sup> UNV- UNV <sup>4</sup> (120/277)		W- Matte White CC- Custom Color	
	A- Acrylic Lens		1T5- (1) 28W T5 1T5HO- (1) 54W T5HO		Aircraft Cable <sup>1</sup> AC48G1- 1" T-Bar <sup>2</sup> AC48G9- 9/16" T-Bar <sup>2</sup> AC48GS- Slotted T-Bar <sup>2</sup> AC48JB- Junction Box AC48ST- Structure AC5_G_- 5" Non-Power Canopy <sup>3</sup> AC5_JB- 5" Non-Power Canopy <sup>3</sup> Pendant <sup>1</sup> PP_JB- Junction Box (specify O.A.L., 12", 18" or 24") PP_ST- Structure (specify O.A.L., 12", 18" or 24") Wall WA- Wall Mount Surface (Ceiling) S- Ceiling Surface Mount		1C- Single Circuit 1D- Single Circuit Dimming <sup>5</sup> 1E- Single Circuit with Emergency Circuit <sup>5</sup>		

<sup>1</sup>Consult factory for additional lengths.  
<sup>2</sup>Consult factory for tegular edged tiles.  
<sup>3</sup>Replaces standard 2" non-power canopy.  
<sup>4</sup>347 and UNV not available with battery packs.  
<sup>5</sup>Some Edge EX configurations will not accommodate all electrical options. Consult factory.

**COMPONENTS**

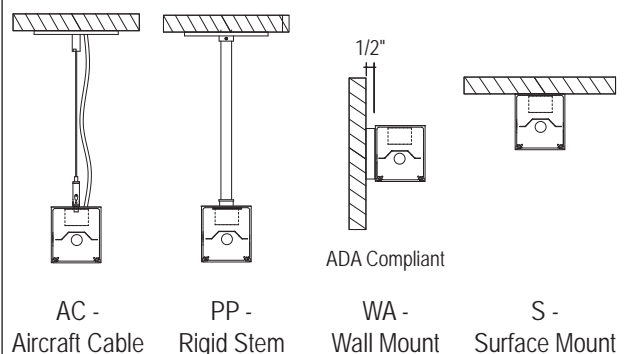
**Individual luminaires**

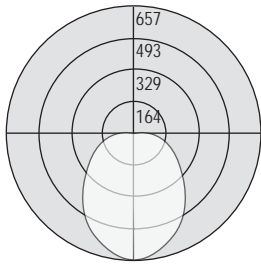


	T5	T5HO
4'	1 - 28W	1 - 54W
8'	2 - 28W	2 - 54W
12'	3 - 28W	3 - 54W

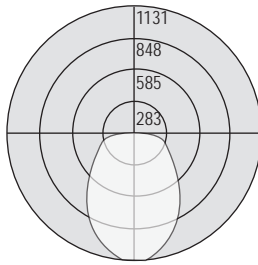
<sup>1</sup>Add 1/16" for each end plate or 1/8" to the overall length of the row.

**Mounting Options**





Test # 203077  
 Part # EX33-A-N-1T5  
 Total Efficiency: 66.1%

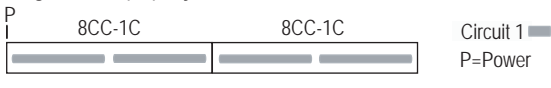


Test # 203078  
 Part # EX33-A-N-1T5HO  
 Total Efficiency: 66.6%

FEATURES AND OPTIONS

• CIRCUITING

Single Circuit (1C) Layout



Single Circuit with Emergency Circuit (1E) Layout



• STANDARD ROW CONFIGURATION

Pinnacle Architectural Lighting utilizes standard row configurations for continuous runs.  
 Please consult factory if a project requires non-standard row configurations.

Individual Length	Row Length																			
	4	8	12	16	20	24	28	32	36	40	44	48	52	56	60	64	68	72	76	80
4'	1																			
8'		1		2	1		2	1		2	1		2	1		2	1		2	1
12'			1		1	2	1	2	3	2	3	4	3	4	5	4	5	6	5	6