

1T5 RECESSED LINEAR DIRECT / Staggered Lamp / Acrylic Lens

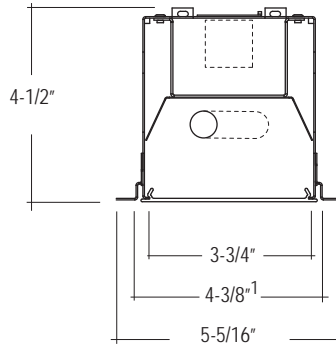
**CONSTRUCTION** Formed cold rolled steel housing. Highly reflective die-formed white painted steel reflector, .125" diffuse snap-in acrylic lens with matte finish, removable for lamp replacement.

**ELECTRICAL** Standard programmed start UL listed Class P, T5 electronic, Sound Rated A, thermally protected, high power factor ballasts less than 10% THD, Universal voltage (120/277) with 50/60Hz operation. Through wiring with quick connects standard. Standard single circuit. Integral battery packs with remote test switch are provided with 1B option. Each ballast provided with disconnects to meet luminaire disconnect code requirement.

**MOUNTING** Edge is designed to install into acoustical grid and inaccessible ceilings. Specify GXG, FLF, SFS, NFN for Individual, unjoinable units (individual units will fall on-grid). Specify GX, FL, SF, NF for continuous rows (Rows fall on-grid). Consult factory for detailed installation instructions.

**FINISH** Standard powder-coat textured white painted finish on exposed trim, consult factory for custom colors.

**LABELS** UL and cUL Listed, approved for dry/damp location unless otherwise noted.



<sup>1</sup>Rough-in width is 4-5/8" for inaccessible ceilings. Must mount through top of fixture. See installation instructions for further details. Specification Sheets should not be used for installation.

**LUMINAIRE SPECIFICATION**

Sample Catalog #: E4SA-1T5-24'-FL-120-1C-W

| HOUSING  | LAMPS                          | LENGTH   | MOUNTING <sup>1</sup> | VOLTAGE   | CIRCUITING | FINISH                             | OPTIONS  |
|--|--------------------------------|--|-----------------------|---|------------|------------------------------------|--|
| E4SA- Edge 4 Staggered Lamp recessed with Acrylic Lens | 1T5- (1) T5<br>1T5HO- (1) T5HO | Individual Units <sup>2</sup><br>2- 2' Not available as individual<br>3- 3' Not available as individual<br>4- 4' Not available as individual<br>6- 6'<br>8- 8'<br>Continuous Runs <sup>3</sup><br>xx'- Specify nominal overall row length in 1' increments |                       | 120- 120 V<br>277- 277 V<br>347- 347 V <sup>5</sup><br>UNV-UNV <sup>5</sup><br>(120/277)  |            | W- Matte White<br>CC- Custom Color | PM- Perimeter Mount <sup>7</sup><br>RC- Rotating Crossbar <sup>8</sup><br>CP- Chicago Plenum<br>CL- Illuminated Connector <sup>9</sup> |
| <b>INDIVIDUAL UNITS (CANNOT BE JOINED)<sup>2</sup></b> |                                | <b>CONTINUOUS RUNS (JOINABLE)<sup>3</sup></b>  |                       |   |            |                                    |  |
| Acoustical Grid Ceiling                                |                                | Inaccessible Ceiling   |                       |   |            |                                    |  |
| G1G- 1" Ceiling Grid                                   |                                | FLF- Standard 1/2" Flange  |                       |   |            |                                    |  |
| G9G- 9/16" Ceiling Grid                                |                                | SFS- Spackle Flange  |                       |   |            |                                    |  |
| GSG- Screw Slot Ceiling Grid                           |                                | NFN- Flangeless <sup>4</sup>   |                       |   |            |                                    |  |
| Acoustical Grid Ceiling                                |                                | Inaccessible Ceiling   |                       |   |            |                                    |  |
| G1- 1" Ceiling Grid                                    |                                | FL- Standard 1/2" Flange   |                       |   |            |                                    |  |
| G9- 9/16" Ceiling Grid                                 |                                | SF- Spackle Flange   |                       |   |            |                                    |  |
| GS- Screw Slot Ceiling Grid                            |                                | NF- Flangeless <sup>4</sup>  |                       |   |            |                                    |  |
|  |                                |  |                       | 1C- Single Circuit<br>1D- Single Circuit Dimming <sup>6</sup><br>1B- Single Circuit with Battery Pack <sup>6,10</sup><br>1E- Single Circuit with Emergency Circuit <sup>6</sup> |            |                                    |  |

<sup>1</sup> See below for mounting detail. Consult factory for regular edged tiles.

<sup>2</sup> Individual units cannot be joined. All end trims are factory installed and cannot be removed in the field. Individual fixtures designed to fall on-grid.

<sup>3</sup> Continuous runs are designed to fall on-grid with acoustical grid ceilings.

<sup>4</sup> NF and NFN to be utilized for metal pan / millwork ceiling.

<sup>5</sup> 347 volt and UNV not available with MR16 and battery packs.

<sup>6</sup> Some Edge configurations will not accommodate all electrical options. Consult factory.

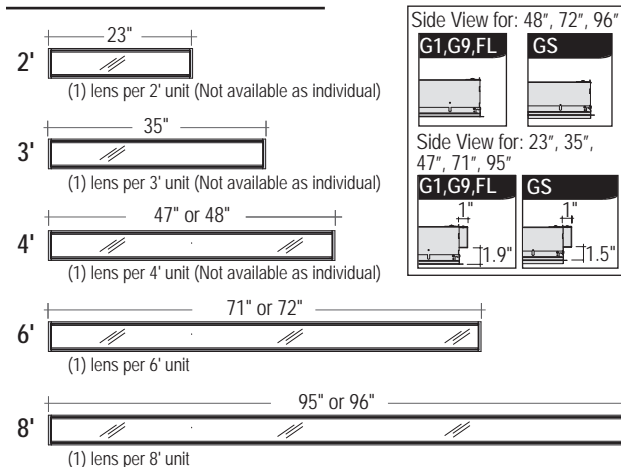
<sup>7</sup> Available for acoustical grid ceilings. Wall rail painted white unless otherwise specified.

<sup>8</sup> 1/2" to 5/8" drywall thickness. Available for standard 1/2" flange (FL).

<sup>9</sup> Add CL to all fixture types involved in the connector layout. See back page for additional information.

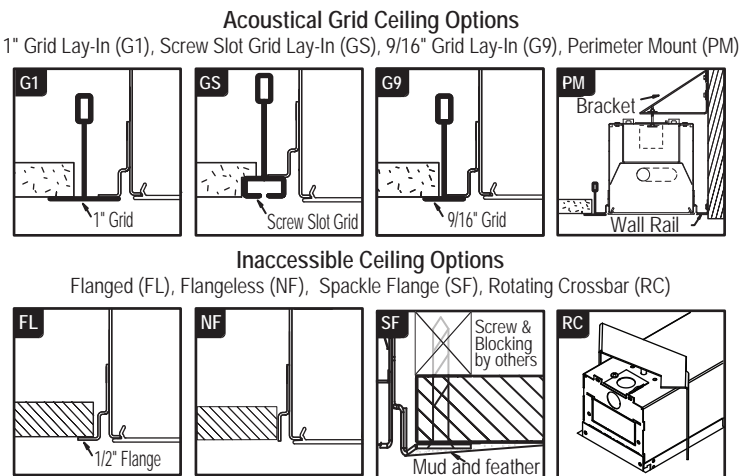
<sup>10</sup> Integral battery packs with remote test switch are provided with 1B option.

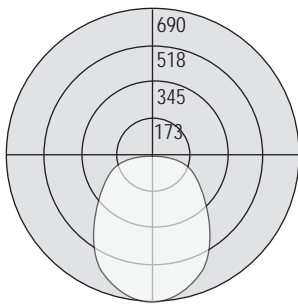
**Individual Luminaires<sup>1</sup>**



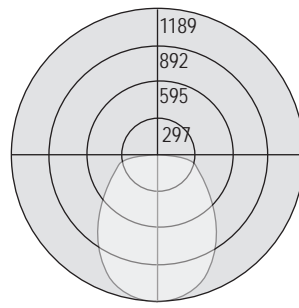
<sup>1</sup> Acoustical Grid Ceiling and Inaccessible Ceilings available as individual units or continuous rows. Individual units and rows are available for on-grid installation with acoustical ceilings.

**Mounting Detail**





Test# 203093  
Lamps: (1) 28W T5  
Total Efficiency: 74.6%

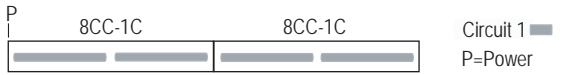


Test# 203094  
Lamps: (1) 54W T5HO  
Total Efficiency: 75.1%

FEATURES AND OPTIONS

• CIRCUITING

Single Circuit (1C) Layout



Single Circuit with Emergency Circuit (1E) Layout

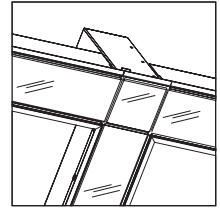


• ILLUMINATED CONNECTOR

**APPLICATION:** The patent pending connector carries a low wattage PL lamp for seamless layouts while offering limitless system configurations. Recommended for gypsum board or inaccessible ceilings using the standard 1/2" flange mount (FL).

**CONSTRUCTION:** Formed cold rolled steel housing. The height is 10.25" and width is 4.40". T5 utilizes a 7 watt PL lamp and T5HO utilizes a 13 watt PL lamp. Connector cannot be dimmed. Factory submittal drawings required.

**ORDERING INFORMATION:** Specify Illuminated Connector (CL) in the options section of the part number. Sample Catalog #: E4SA-1T5-24-FL-120-1C-W-CL.



• STAGGERED LAMP ROW EXAMPLES

