

QUARTZ HALOGEN / Wall Mount

For Indoor and Outdoor Lighting Applications

CONSTRUCTION Extruded aluminum housing, die cast end caps. Outdoor rated luminaires include mechanically attached and gasketed aluminum door frame.

REFLECTOR Highly reflective specular anodized aluminum.

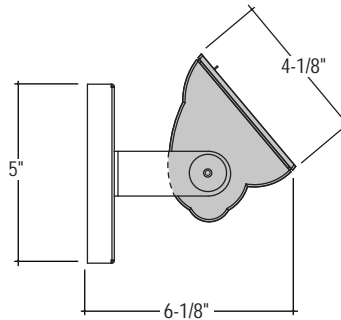
LENS Micro-prismatic tempered glass and die-formed aluminum trim (spring secured) for toolless lamp access. For outdoor, glass is secured to aluminum door frame and mechanically attaches to housing.

ELECTRICAL Available in 120 volt only.

MOUNTING Fully rotatable head mounts to structure in numerous configurations. See back for dimensions and details.

FINISH Powder coat white painted finish, consult factory for custom colors and finishes.

LABELS cUL Listed, approved for dry/damp and wet location unless otherwise noted.



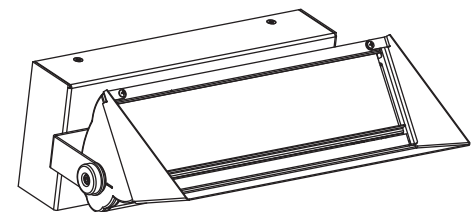
12"

- (1) 100W T4,DC
- (1) 150W T4,DC
- (1) 200W T3,RSC
- (1) 250W T4,DC

LUMINAIRE SPECIFICATION

Sample Catalog #: PR-Q250T4-Y-120-W-V

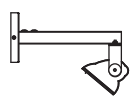
P__ -		Q_____ -		_____ -		_____ -		___ -		_ -			
HOUSING		LAMP/ FIXTURE LENGTH		MOUNTING		VOLTAGE		FINISH		OPTIONS			
PS- Peak indoor luminaire, Smooth Housing, cUL dry/damp label.		LAMP Q100T4- (1)100W T4,DC Q150T4- (1)150W T4,DC Q200T3- (1)200W T3,RSC Q250T4- (1)250W T4,DC		LENGTH 12" 12" 12" 12"		Y- Yoke A1__"- Arm Mount/Single Head* (specify O.A.L., 12", 18" or 24")		120- 120 Volt		W- White S- Metallic Silver BR- Bronze CC- Custom Color		B- Baffle* V- Visor* *Color will match housing unless otherwise specified	
PR- Peak indoor luminaire, Ribbed Housing, cUL dry/damp label.						*Over 24" arm length may require aircraft cable support. Consult factory.				Optional Visor (V) for glare cut-off adds 4" to O.A.L.			
PSW- Peak outdoor luminaire, Smooth Housing, cUL wet label.													
PRW- Peak outdoor luminaire, Ribbed Housing, cUL wet label.													
PSN- Peak natatorium luminaire, Smooth Housing, cUL wet label.													
PRN- Peak natatorium luminaire, Ribbed Housing, cUL wet label.													

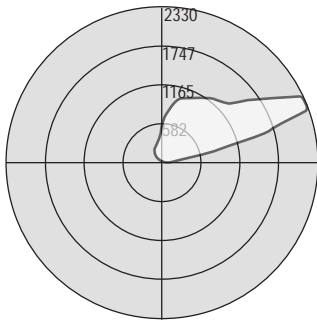


MOUNTING

Y-Yoke

A1__"-Arm Single Head





Test #15002
 Catalog # P-Q250-Y-1-W-V
 Total Luminaire Efficiency = 66.6%

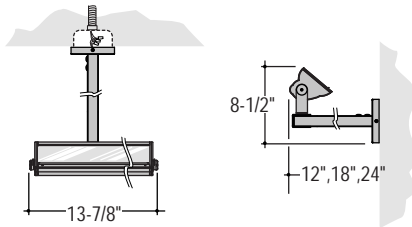
Zone	Lumens	%Lamp	%Fixt
0-30	0	0	0
0-40	0.01	0	0
0-60	0.06	0	0
0-90	30.43	0.6	0.9
90-120	1346.43	26.9	40.4
90-130	1916.86	38.3	57.6
90-150	2785.08	55.7	83.7
90-180	3298.94	66	99.1
0-180	3329.37	66.6	100

70	0	45	90	135	180
75	0	0	0	0	0
80	6	0	0	0	0
85	48	12	0	0	0
90	72	54	0	0	0
95	107	117	7	0	0
95	195	249	42	0	0
100	509	587	88	1	0
105	1341	1203	134	11	0
110	2203	1595	182	28	6
115	2321	1584	227	41	18
120	1937	1406	280	59	31
125	1591	1243	336	76	46
130	1325	1187	389	96	63
135	1191	1174	447	138	77
140	1209	1147	491	190	89
145	1194	1114	523	218	140
150	1129	1088	551	245	201
155	1084	1044	568	258	223
160	1024	984	578	275	247
165	947	906	577	294	264
170	884	835	572	340	295
175	750	714	554	426	399
180	544	544	544	544	544

MOUNTING

A1-"Arm Mount"

Over 24" arm length may require aircraft cable support. Consult factory.



Y-"Yoke"

