

COMPACT FLUORESCENT / Wall Mount

For Indoor and Outdoor Lighting Applications

CONSTRUCTION Extruded aluminum housing, die cast end caps. Outdoor rated luminaires include mechanically attached and gasketed aluminum door frame.

REFLECTOR Highly reflective specular anodized aluminum.

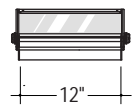
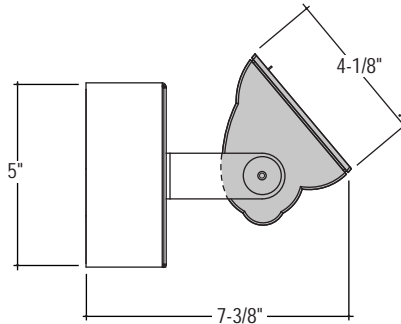
LENS Micro-prismatic tempered glass and die-formed aluminum trim (spring secured) for toolless lamp access. For outdoor luminaires, glass is secured to aluminum door frame and mechanically attaches to housing.

ELECTRICAL Standard 120/277volt integral electronic ballasts with a power factor greater than 90% and less than 15% THD. Consult factory for battery packs and dimming. Each ballast provided with disconnects to meet luminaire disconnect code requirement.

MOUNTING Fully rotatable head mounts to structure in numerous configurations. See back for dimensions and details.

FINISH Powder coat white painted finish, consult factory for custom colors and finishes.

LABELS cUL Listed, approved for dry/damp and wet location unless otherwise noted.



(1) 26W CFL
(1) 32W CFL
(1) 42W CFL

Sample Catalog #: PR-CF26-YI-120-W-V

LUMINAIRE SPECIFICATION

P _ _ -

CF _ _ -

_ _ -

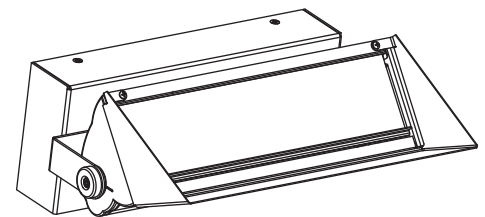
_ _ _ -

_ _ -

-

HOUSING	LAMP/ FIXTURE LENGTH	MOUNTING	VOLTAGE	FINISH	OPTIONS
<p>PS- Peak indoor luminaire, Smooth Housing, cUL dry/damp label.</p> <p>PR- Peak indoor luminaire, Ribbed Housing, cUL dry/damp label.</p> <p>PSW- Peak outdoor luminaire, Smooth Housing, cUL wet label.</p> <p>PRW- Peak outdoor luminaire, Ribbed Housing, cUL wet label.</p> <p>PSN- Peak natatorium luminaire, Smooth Housing, cUL wet label.</p> <p>PRN- Peak natatorium luminaire, Ribbed Housing, cUL wet label.</p>	<p>LAMP</p> <p>CF26- (1) 26W CFL</p> <p>CF32- (1) 32W CFL</p> <p>CF42- (1) 42W CFL</p> <p>LENGTH</p> <p>12"</p> <p>12"</p> <p>12"</p>	<p>INTEGRAL BALLAST</p> <p>YI- Yoke Integral (Not available in wet location)</p> <p>DE- Deco Extended</p> <p>DF- Deco Flush</p>	<p>120- 120 Volt</p> <p>277- 277 Volt</p> <p>347- 347 Volt</p>	<p>W- White</p> <p>S- Metallic Silver</p> <p>BR- Bronze</p> <p>CC- Custom Color</p>	<p>B- Baffle*</p> <p>V- Visor*</p> <p>*Color will match housing unless otherwise specified</p>

Optional Visor (V) for glare cut-off adds 4" to O.A.L.



MOUNTING (Integral Ballast)

YI-Yoke Integral**

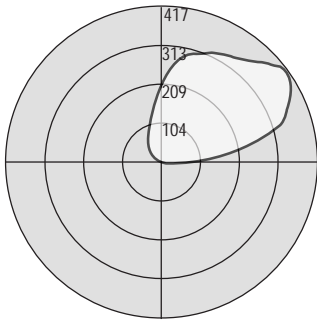
DE-Deco Extended

DF-Deco Flush



**Not Available in wet location





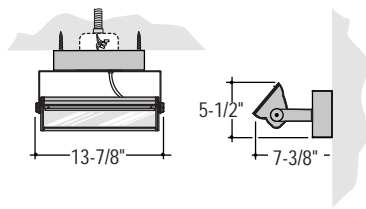
Test # 15003
 Catalog # PS-CF26-Y-1-W-V
 Total Luminaire Efficiency = 50.90%

Zone	Lumens	%Lamp	%Fixt
0-30	0	0	0
0-40	0	0	0
0-60	0	0	0
0-90	18.66	1	2
90-120	316.14	17.6	34.5
90-130	472.09	26.2	51.5
90-150	731.35	40.6	79.8
90-180	897.84	49.9	98
0-180	916.5	50.9	100

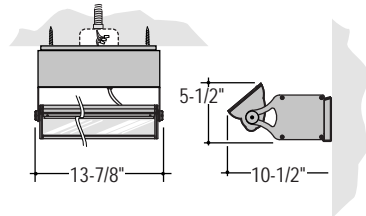
70	0	45	90	135	180
75	0	0	0	0	0
80	1	4	0	0	0
85	13	19	4	0	0
90	27	35	5	0	0
95	62	51	7	0	0
100	143	120	19	1	0
105	218	186	31	2	0
110	281	248	44	4	0
115	337	289	56	8	2
120	365	320	71	13	5
125	397	345	89	18	11
130	401	368	107	23	15
135	375	353	125	30	20
140	364	340	142	40	25
145	345	332	155	53	29
150	334	327	167	66	43
155	328	324	179	76	65
160	320	313	192	85	71
165	302	301	198	97	83
170	299	284	199	114	96
175	279	261	200	140	119
180	246	233	201	170	157
	180	202	202	202	202

MOUNTING

YI-"Yoke Integral"
Integral Ballast
 Not Available in wet location



DE-"Decorative Integral, Extended"
Integral Ballast



DF-"Decorative Integral, Flush"
Integral Ballast

