

**COMPACT FLUORESCENT / Ceiling Mount**

For Indoor and Outdoor Lighting Applications

**CONSTRUCTION** Extruded aluminum housing, die cast end caps. Outdoor rated luminaires include mechanically attached and gasketed aluminum door frame.

**REFLECTOR** Highly reflective specular anodized aluminum.

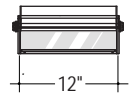
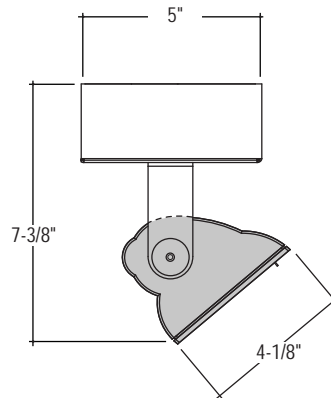
**LENS** Micro-prismatic tempered glass and die-formed aluminum trim (spring secured) for toolless lamp access. For outdoor luminaires, glass is secured to aluminum door frame and mechanically attaches to housing.

**ELECTRICAL** Standard 120/277volt integral electronic ballasts with a power factor greater than 90% and less than 15% THD. Consult factory for battery packs and dimming. Each ballast provided with disconnects to meet luminaire disconnect code requirement.

**MOUNTING** Fully rotatable head mounts to structure in numerous configurations. See back for dimensions and details.

**FINISH** Powder coat white painted finish, consult factory for custom colors and finishes.

**LABELS** cUL Listed, approved for dry/damp and wet location unless otherwise noted.



(1) 26W CFL  
(1) 32W CFL  
(1) 42W CFL

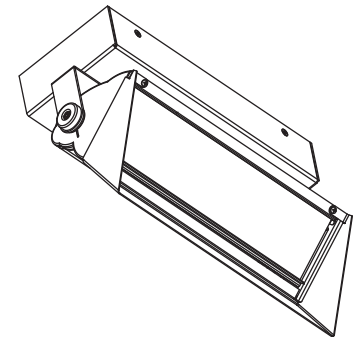
**LUMINAIRE SPECIFICATION**

Sample Catalog #: PS-CF26-YI-120-W-V

P\_\_-

CF\_\_-

HOUSING	LAMP/ FIXTURE LENGTH	MOUNTING	VOLTAGE	FINISH	OPTIONS								
<b>PS-</b> Peak indoor luminaire, <b>Smooth</b> Housing, cUL dry/damp label.  <b>PR-</b> Peak indoor luminaire, <b>Ribbed</b> Housing, cUL dry/damp label.  <b>PSW-</b> Peak outdoor luminaire, <b>Smooth</b> Housing, cUL wet label.  <b>PRW-</b> Peak outdoor luminaire, <b>Ribbed</b> Housing, cUL wet label.  <b>PSN-</b> Peak natatorium luminaire, <b>Smooth</b> Housing, cUL wet label.  <b>PRN-</b> Peak natatorium luminaire, <b>Ribbed</b> Housing, cUL wet label.	<table border="1"> <thead> <tr> <th>LAMP</th> <th>LENGTH</th> </tr> </thead> <tbody> <tr> <td><b>CF26-</b> (1) 26W CFL</td> <td>12"</td> </tr> <tr> <td><b>CF32-</b> (1) 32W CFL</td> <td>12"</td> </tr> <tr> <td><b>CF42-</b> (1) 42W CFL</td> <td>12"</td> </tr> </tbody> </table>	LAMP	LENGTH	<b>CF26-</b> (1) 26W CFL	12"	<b>CF32-</b> (1) 32W CFL	12"	<b>CF42-</b> (1) 42W CFL	12"	<b>INTEGRAL BALLAST</b>  <b>YI-</b> Yoke Integral (Not available in wet location)  <b>DE-</b> Deco Extended  <b>DF-</b> Deco Flush	<b>120-</b> 120 Volt <b>277-</b> 277 Volt <b>347-</b> 347 Volt	<b>W-</b> White <b>S-</b> Metallic Silver <b>BR-</b> Bronze <b>CC-</b> Custom Color	<b>B-</b> Baffle* <b>V-</b> Visor*  <small>*Color will match housing unless otherwise specified</small>
LAMP	LENGTH												
<b>CF26-</b> (1) 26W CFL	12"												
<b>CF32-</b> (1) 32W CFL	12"												
<b>CF42-</b> (1) 42W CFL	12"												
Optional Visor (V) for glare cut-off adds 4" to O.A.L.													



**MOUNTING (Integral Ballast)**

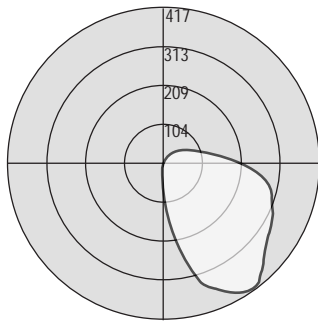
YI-Yoke Integral\*\*

DE-Deco Extended

DF-Deco Flush



\*\*Not Available in wet location



Test # 15015  
 Catalog # PS-CF26-1-Y-W-V  
 Total Luminaire Efficiency = 50.90%

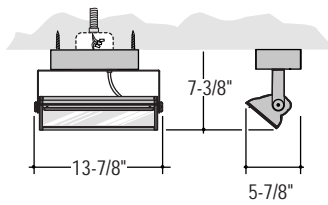
Zone	Lumens	%Lamp	%Fixt
0-30	110.06	6.1	12
0-40	215.52	12	23.5
0-60	470.45	26.1	51.3
0-90	790.55	43.9	86.3
90-120	107.15	6	11.7
90-130	117.57	6.5	12.8
90-150	125.13	7	13.7
90-180	125.73	7	13.7
0-180	916.28	50.9	100

0	62	62	62	62	62
5	143	117	65	32	27
15	281	234	67	12	1
25	365	341	72	0	0
35	401	395	68	0	0
45	364	410	51	0	0
55	334	367	36	0	0
65	320	309	25	0	0
75	299	257	16	0	0
85	246	185	9	0	0
90	202	142	7	0	0
95	157	107	4	0	0
105	96	70	1	0	0
115	71	44	0	0	0
125	43	23	0	0	0
135	25	15	0	0	0
145	15	7	0	0	0
155	5	1	0	0	0
165	0	0	0	0	0
170	0	0	0	0	0

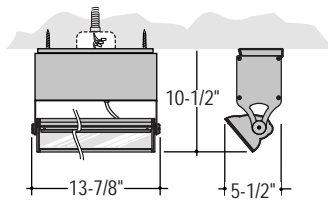
MOUNTING

**YI-"Yoke Integral"  
 Integral Ballast**

Not Available in wet location



**DE-"Decorative Integral,  
 Extended"  
 Integral Ballast**



**DF-"Decorative Integral, Flush"  
 Integral Ballast**

