

EDGE EX4D

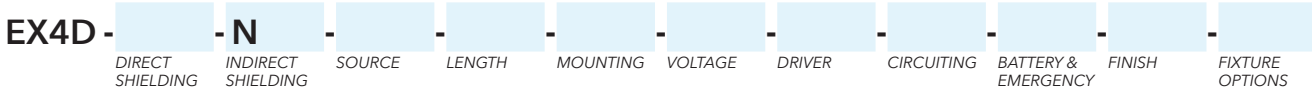
4" Suspended Direct Linear

Key Features

- Boards and driver are specifically for Indigo Clean®
- Indigo Clean® emits 405nm light which targets bacteria & produces intra-cellular Reactive Oxygen Species (ROS)
- Standard, white luminaire that provides on-demand disinfection when light is on
- Laboratory-tested disinfection
- Unlike UV disinfection, light is safe for occupants
- Proven effectiveness per independent lab test results
- Provides a cleaner, safer environment, even in areas normal cleaning doesn't reach



Example Part #: EX4D-HE-N-IC37-26'-AC48G1-U-ND-1-0-W



HE	N	---	---
DIRECT SHIELDING	INDIRECT SHIELDING	SOURCE	LENGTH ¹
HE - High Efficiency	N - None	IC37 - Indigo Clean LED, 3700K IC43 - Indigo Clean LED, 4300K Source pg. 2	__ - Individual Fixture -- - Continuous Row Length pg. 2
-----	-	---	-
MOUNTING ²	VOLTAGE	DRIVER ³	CIRCUITING
_AC__G_ - (M)AC to Grid _AC__JB - (M)AC to J Box _AC__ST - (M)AC to Structure _AC5__G_ - 5" Non-Power Canopy _AC5__JB - 5" Non-Power Canopy _SQ__G_ - 5" Square Canopy _SQ__JB - 5" Square Canopy WA - Wall Mount S - Surface Mount Mounting pg. 2	U - Universal (120 thru 277V) 1 - 120V 2 - 277V Voltage pg. 3	OL1 - Osram (10%, 0-10v) ND - Non-Dimming Driver pg. 3	1 - Single Circuit M - Multi Circuit E - Emergency (entire fixture) N - Night Light (entire fixture) Circuiting pg. 3
---	--	--	---
BATTERY & EMERGENCY ⁴	FINISH	FIXTURE OPTIONS	CONTROLS
0 - None _PL - Philips Bodine 10W _IL - Iota 10W Integral _IC - Iota 10W Integral (CEC Listed) _E - Emergency Section _N - Night Light Section _L - Life Safety Section _G - Philips Bodine GTD Battery and Emergency pg. 3	W - White S - Metallic Silver BL - Textured Black BR - Bronze GR - Graphite CC - Custom Color Finish pg. 3	AM - Antimicrobial Paint Fixture Options pg. 4	Pinnacle is able to accommodate different control solutions from different manufacturers. Consult Factory for more information.

¹Individual fixtures come in 2', 4', 6' & 8' lengths. Continuous row come in 2' increments. ²Specify AC Cable: Standard single AC = AC or Movable AC = MAC; Specify AC length standard AC is 48"; Specify grid: G1=15/16", G9=9/16", GS=Screw Slot. Example: AC48G1. ³While we do offer dimmable driver options, please note that dimming is not recommended with Indigo-Clean fixtures as it can reduce the efficiency of disinfection. ⁴Enter quantity for Battery and Emergency, Example 2P.

Specifications and dimensions subject to change without notice. Specification sheets that appear on pinnacle-ltg.com are the most recent version and supersede all other previously printed or electronic versions.



Source

- 80 CRI = R9≥19

Indigo Clean LED

	Color	Watt per foot	Shielding HE High Efficiency	
			Lumens/ft	LPW
IC37	3700K	12.9	1303	101
IC43	4300K	12.9	1333	103.3

Length

- For Continuous Runs, add 3/16" (4.7mm) for each end plate or 3/8" (9.5mm) to the overall length of the row
- Individual fixtures come in 2', 4', 6' & 8' lengths. Continuous rows come in 2' increments

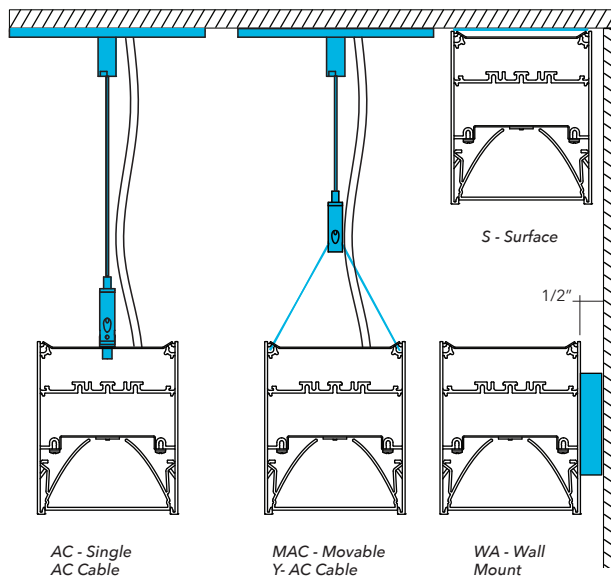
2	4	6	8	-
Indiv. Fixture	Indiv. Fixture	Indiv. Fixture	Indiv. Fixture	Cont. Run <i>Continuous runs available in 2' increments.</i>
23" (584.2mm)	47" (1193.8mm)	71" (1803.4mm)	95" (2413mm)	
Specify in 2' increments >>>				

Mounting

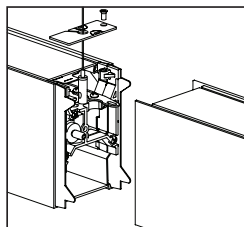
- Specify cable length in ordering code (AC48G1)
- Standard adjustable cable. Specify 48", 120", 240" or 350"
- End plates and power cord attached at factory
- Aircraft cable (AC) mounts on 4' (1219.2mm) and 8' (2438.4mm) centers
- Maximum recommended movable mounting locations are 12" from end of 4' fixture and 18" from end of 8' fixture
- Aircraft Cable supplied with 5" (127mm) power and 2" (50.8mm)

- non-power canopies
- Canopies and pendants match fixture finish, power cords are white, grey, or black depending on fixture finish. See Finish section for additional details.
- Approved for dry/damp location unless otherwise noted
- Refer to installation instructions during installation at the job site
- Maximum fixture weight is 20 lbs for a standard 4' fixture

AC_G1	Aircraft Cable 1" (15/16") T-Bar
AC_G9	Aircraft Cable 9/16" T-Bar
AC_GS	Aircraft Cable Screw Slot T-Bar
AC_JB	Aircraft Cable Junction Box
AC_ST	Aircraft Cable Structure
AC5_G	Aircraft Cable 5" (127mm) Non-Power Canopy
AC5_JB	Aircraft Cable 5" (127mm) Non-Power Canopy
SQ_G	Aircraft Cable 5" (127mm) Square Canopy
SQ_JB	Aircraft Cable 5" (127mm) Square Canopy
MAC_G1	Moveable AC 1" (15/16") T-Bar
MAC_G9	Moveable AC 9/16" T-Bar
MAC_GS	Moveable AC Screw Slot T-Bar
MAC_JB	Moveable AC Junction Box
MAC_ST	Moveable AC Structure
MAC5_G	Moveable AC 5" (127mm) Non-Power Canopy
MAC5_JB	Moveable AC 5" (127mm) Non-Power Canopy
MSQ_G	Moveable AC 5" (127mm) Square Canopy
MSQ_JB	Moveable AC 5" (127mm) Square Canopy
WA	Wall Mount
S	Surface Mount



Straight EDGE Joint System



- The Straight EDGE Joint comes standard for all runs.
- Two connection points - one to cinch fixtures together, the other to perfectly align all fixtures in a run.
- Factory-installed light shields on both sides of the fixture ensure no light leaks.
- Patented.

Specifications and dimensions subject to change without notice. Specification sheets that appear on pinnacle-ltg.com are the most recent version and supersede all other previously printed or electronic versions.



Voltage

- Some EX4D configurations will not accommodate all voltage options; consult with factory

U	Universal
1	120 volt
2	277 volt

Driver

- Standard Driver Option = OL1
- Driver Lifetime: 50,000 hours at 25°C ambient operating conditions
- For more driver options see Pinnacle Resource Guide
- Some EX4D configurations will not accommodate all driver options; consult with factory

OL1	Osram Optotronic 10%, 0-10v
ND	Non-Dimming

How to Specify Circuiting, Battery and Emergency

1

- Select fixture circuiting from options below
- Some EX4D configurations will not accommodate all circuiting options, consult with factory

Circuiting

1	Single Circuit
M	Multi Circuit
E	Emergency Circuit only
N	Night Light Circuit only

2

+

3

- Battery and emergency section options are available in addition to fixture circuit
- Select battery and emergency section options below; factory shop drawing required
- Some EX4D configurations will not accommodate all circuiting options, consult with factory

Battery and/or Emergency *If Required*

0	No battery or specific emergency section required
----------	---

Battery

- Select battery section type if required, indicate total QTY. *Example 2PL*
- 90 minute battery runtime; test button location dependant on configuration, consult factory
- No battery option available for 2' lengths
- Entire direct fixture housing is on battery for lengths up to 5'
- Half of direct fixture is on battery for 6' or 8' housing lengths
- For more battery options available, see Pinnacle Resource Guide

0	No battery
_PL	Philips Bodine 10w Integral
_IL	Iota 10w Integral

For Approximate Battery Lumen Output

- Multiply battery wattage X fixture LPW shown on Lumen Table
- 92.3 (LPW) x 10 (watts) = 923 battery lumen output

Emergency

- Select emergency section type if required, indicate total QTY. *Example 1E*
- Combine battery and emergency section ordering codes if both options are selected

_E	Emergency circuit section
_N	Night Light circuit section
_L	Life Safety circuit section NO THROUGH WIRE
_G	Philips Bodine GTD, Generator Transfer Device section

Battery OR Emergency Ordering Examples

- | | |
|--|----------------------|
| • Single circuit, 10w Integral Battery | Ordering Code: 1-1PL |
| • Emergency only, 10w Integral Battery | Ordering Code: E-1PL |
| • Single circuit, GTD required | Ordering Code: 1-1G |

Combination Section Ordering Examples

- | | |
|--|------------------------|
| • Single circuit, (1) 10w battery, (1) emergency section | Ordering Code: 1-1PL1E |
| • Multi circuit, (2) 10w battery, (2) emergency sections | Ordering Code: M-2PL2E |
| • Single circuit, (1) night light section | Ordering Code: 1-1N |

Finish

- Standard powder-coat textured white, metallic silver, textured black, graphite or bronze painted finish; consult factory for chip of standard paint finishes
- Selecting a fixture finish other than white may impact lumen output; consult factory for more information

W	White <i>(white cord/white canopy)</i>
S	Metallic Silver <i>(grey cord/silver canopy)</i>
BL	Textured Black <i>(black cord/black canopy)</i>
BR	Bronze <i>(white cord/bronze canopy)</i>
GR	Graphite <i>(white cord/graphite canopy)</i>
CC	Custom Color <i>(white cord/color match canopy)</i>

Specifications and dimensions subject to change without notice. Specification sheets that appear on pinnacle-ltg.com are the most recent version and supersede all other previously printed or electronic versions.

Designed in Denver, CO • USA | pinnacle-ltg.com | O: 303-322-5570 F: 303-322-5568

EX4D_IC_SPEC_APRIL2020



Fixture Options

- Additional options to enhance the fixture and finish of the product

AM Antimicrobial Paint

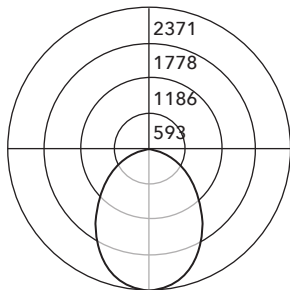
Controls

- Pinnacle is able to accommodate different control solutions from different manufacturers. Consult Factory for more information.

Photometrics

Satine Lens

Test # ITL93368
 Catalog # EX4D-HE-IC43-4
 Lumens 5334 lm
 Watts 51.4 W
 Efficacy 103.7 LPW



Candela Distribution

Vert Angle	Horizontal Angle				
	0	22.5	45	67.5	90
0	2371	2371	2371	2371	2371
5	2357	2357	2355	2352	2352
10	2316	2307	2306	2298	2292
15	2248	2227	2223	2209	2197
20	2152	2119	2111	2082	2067
25	2026	1987	1969	1922	1897
30	1878	1836	1799	1739	1710
35	1711	1668	1613	1538	1505
40	1530	1486	1421	1332	1298
45	1341	1297	1219	1133	1093
50	1151	1110	1028	944	911
55	964	927	847	770	740
60	785	749	677	613	588
65	614	585	525	472	454
70	451	430	384	345	331
75	308	290	259	233	227
80	180	170	152	137	134
85	78	72	64	58	57
90	0	0	0	0	0

Luminance Data (cd/sq.m)

Angle In Degrees	Average 0-Deg	Average 45-Deg	Average 90-Deg
45	15457	14050	12598
55	13698	12036	10515
65	11841	10125	8755
75	9699	8156	7148
85	7294	5985	5330

For all available IES files, please visit our website at pinnacle-ltg.com. Photometry testing in accordance to IESNA-LM-79-08 at an NVLAP accredited testing laboratory. Testing conducted at 25°C ambient conditions.

Applications & Certificates

Construction: 6063-T6 Extruded aluminum housing. Highly reflective steel white painted reflector.

Shielding: Diffuse snap-in acrylic lens, removable for maintenance.

Mounting: Aircraft cable and wall mount available. Select from 2 aircraft cable options. Select the straight aircraft cable that mounts on 4'-0" (1219.2mm) and 8'-0" (2438.4mm) centers or the moveable adjustable Y-cable mount. The Y-Cable design allows for adjustable mounting locations. Aircraft Cable supplied with 5" (127mm) power and 2" (50.8mm) non-power canopies. Refer to installation instructions for appropriate ceiling detail. Canopies are painted white unless otherwise specified. Maximum fixture weight is 20 lbs. for a standard 4' fixture.

Indigo Clean LED: Spectrum focused lighting for continuous environmental disinfection. 25°C test environment. Lumen output/wattage has a margin of +/- 5%. All luminaire configurations tested in accordance with IES LM-79. Diodes tested in accordance with IES LM-80. Lifetime calculated using IES TM-21. Minimum lifetime greater than 60,000 hours. L70 = 80,000 hours. MacAdam 3-Step Ellipses. Not all products are lighting facts listed. For all available IES files, please visit our website at pinnacle-ltg.com.

Voltage: Universal (U), 120 volt (1), 277 and volt (2). Some EDGE configurations will not accommodate all voltage options; consult with factory.

Driver: Standard Driver Option is Osram Optron Non-dimming = ND. Electronic driver, Power factor is >0.9 with a THD <20%. Driver Lifetime: 50,000 hours at 25°C ambient operating conditions. Ambient operating range: -20°F/-30°C to 127°F/53°C. For more driver options, see Pinnacle Resource Guide. Some EDGE configurations will not accommodate all driver options.

Circuiting: Select from single circuit (1), Multi circuit - For multiple circuiting and zone control, requires factory shop drawing (M), Emergency circuit (E), Life Safety (L) or Night Light circuit (N). For emergency circuiting situations that require no through wire or circuit separation, Life Safety Circuit should be selected. This will provide a separate power feed and only the Life Safety Circuit in that section. Some EDGE configurations will not accommodate all circuiting options; consult with factory.

Battery & Emergency: Select battery or emergency options if required. If battery or emergency option is not required, enter 0. Battery duration is 90 minutes as standard. Test button location dependant on configuration, consult factory. For more Battery options, see Pinnacle Resource Guide.

Finish: Standard powder-coat textured white, metallic silver, textured black, graphite or bronze painted finish; consult factory for chip of standard paint finishes or for additional custom color and finish options.

Controls: Pinnacle is able to accommodate different control solutions from different manufacturers. Consult Factory for more information.

Labels: ETL listed conforming to UL1598 and CSA 250. Approved for dry/damp location unless otherwise noted.

Fixture Weight: Maximum fixture weight is 20lbs per 4' fixture.

Buy American Act Compliant

Warranty: EDGE LED offered with a 5-year limited warranty. Covers LED, driver and fixture.