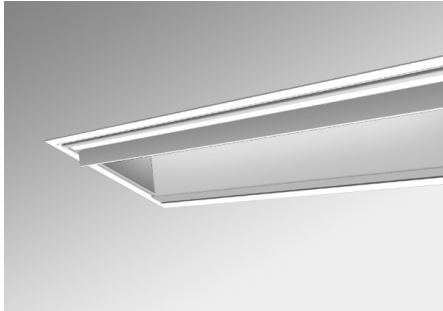


EDGE LUMINOUS GEOMETRY™ WW

1T5 Recessed Linear
Wall wash



Project Name _____

Date _____

Catalog Number _____

Type _____

CONSTRUCTION Formed cold rolled steel housing. Ripple pattern extruded aluminum trim painted black for brightness control, highly specular extruded aluminum reflector (open) designed for perfect wall wash illumination.

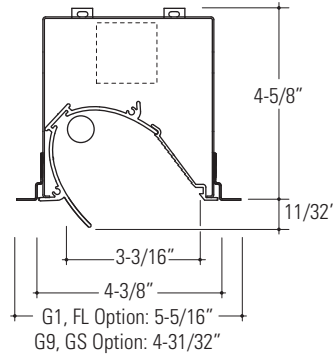
ELECTRICAL Standard programmed start UL listed Class P, T5 electronic, Sound Rated A, thermally protected, high power factor ballasts less than 10% THD, Universal voltage (120/277) with 50/60Hz operation. Through wiring with quick connects standard. Standard single circuit. Integral battery packs with remote test switch are provided with 1B option. Each ballast provided with disconnects to meet luminaire disconnect code requirement.

MOUNTING Edge is designed to install into acoustical grid and inaccessible ceilings. Specify GXG, FLF, SFS, NFN for Individual, unjoinable units (individual units will fall on-grid). Specify GX, FL, SF, NF for continuous rows (Rows fall on-grid). Grid retention brackets are standard. 4 grid retention brackets supplied for each housing. Consult factory for detailed installation instructions.

APPLICATION GUIDELINE Edge Wall Wash recommended installation is 18" to 36" off the wall with optimal performance being at 24".

FINISH Standard powder-coat textured white, metallic silver, textured black, graphite or bronze painted finish, consult factory for chip of standard paint finishes. Contact factory for additional custom color and finish options.

LABELS UL and cUL Listed, approved for dry/damp location unless otherwise noted.



LUMINAIRE SPECIFICATION

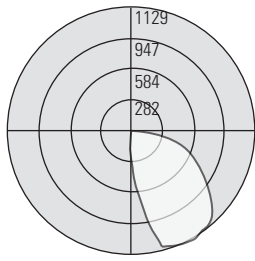
Sample Catalog #: EW-1T5-24'-FL-120-1C-W

EW- HOUSING	1T5- LAMPS	'- LENGTH	- MOUNTING ¹	- VOLTAGE	- CIRCUITING	- FINISH	- OPTIONS
EW- Edge open wall wash	1T5- (1) T5 1T5HO- (1) T5HO		INDIVIDUAL UNITS (CANNOT BE JOINED)² Acoustical Grid Ceiling G1G- 1" Ceiling Grid G9G- 9/16" Ceiling Grid GSG- Screw Slot Ceiling Grid Inaccessible Ceiling FLF- Standard 1/2" Flange SFS- Spackle Flange NFN- Flangeless ⁴ CONTINUOUS RUNS (JOINABLE)³ Acoustical Grid Ceiling G1- 1" Ceiling Grid G9- 9/16" Ceiling Grid GS- Screw Slot Ceiling Grid Inaccessible Ceiling FL- Standard 1/2" Flange SF- Spackle Flange NF- Flangeless ⁴	120- 120 V 277- 277 V 347- 347 V ⁵ UNV- UNV ⁵ (120-277)	1C- Single Circuit 1D- Single Circuit Dimming ⁶ 1B- Single Circuit with Battery Pack ^{6,9} 1E- Single Circuit with Emergency Circuit ⁶	W- Matte White S- Metallic Silver BL- Textured Black GR- Graphite BR- Bronze CC- Custom Color RC- Rotating Crossbar ⁷ MRA- Adjustable MR16 Lamp ^{5,8} LMRA- Adjustable LED MR16 ^{5,8} XLED- Fixed Xicato ^{5,8} CP- Chicago Plenum LC- Clear Acrylic Lens B- Baffle	
	Individual Units² 2- 2', 23" unit 3- 3', 35" unit 4- 4', 47" unit 6- 6', 71" unit 8- 8', 95" unit Continuous Runs³ xx'-Specify nominal overall row length in 1' increments						

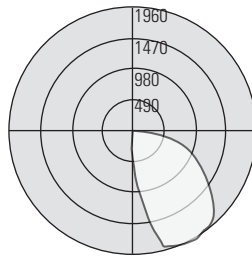
¹See back page for mounting detail. Consult factory for tegular edged tiles. ²Individual units cannot be joined. All end trims are factory installed and cannot be removed in the field. ³Continuous rows made up of both even and odd length fixtures. Designed to fall on-grid. ⁴NF and NFN to be utilized for metal pan / millwork ceiling. ⁵347 volt and UNV not available with MR16 and battery packs. ⁶Some Edge configurations will not accommodate all electrical options. Consult factory. ⁷1/2" to 5/8" drywall thickness. Available for standard 1/2" flange (FL). ⁸See back page for information. ⁹Integral battery packs with remote test switch are provided with 1B and 2B options.



Designed and Fabricated in Denver Colorado
Phone 303.322.5570 www.pinnacle-ltg.com
© 2017 Pinnacle Architectural Lighting® January 2017

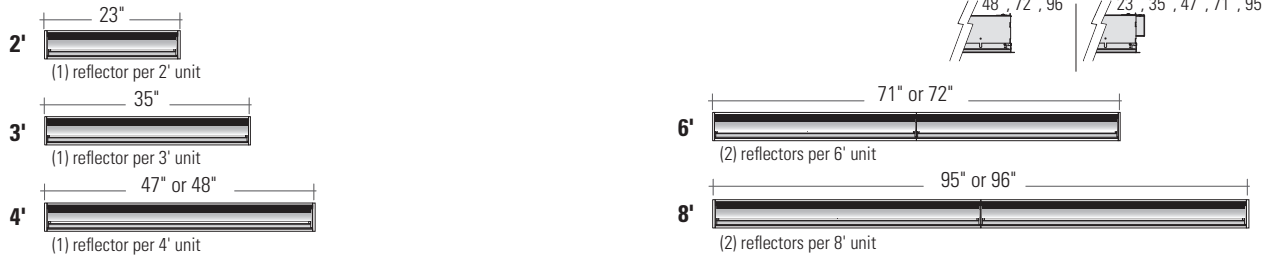


Test #202263
Part #: EW-1T5-4'
Total Luminaire Efficiency: 71.2%



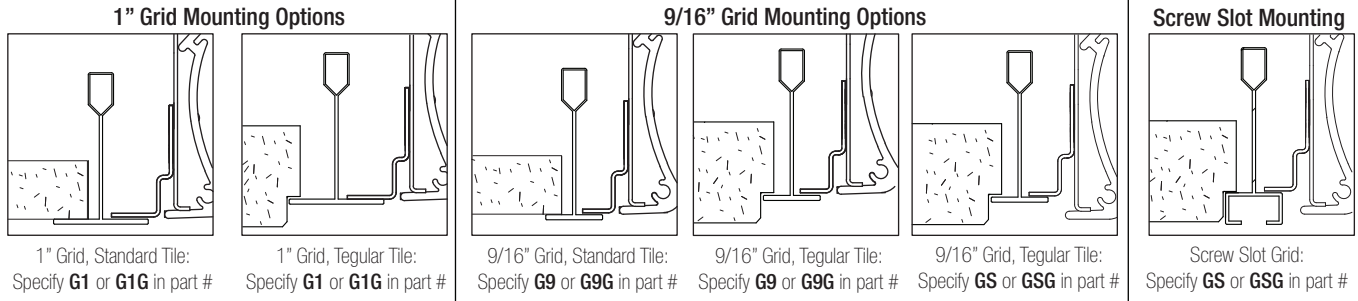
Test #202264
Part #: EW-1T5H0-4'
Total Luminaire Efficiency: 71.8%

• **INDIVIDUAL AND CONTINUOUS RUN MODULES¹**

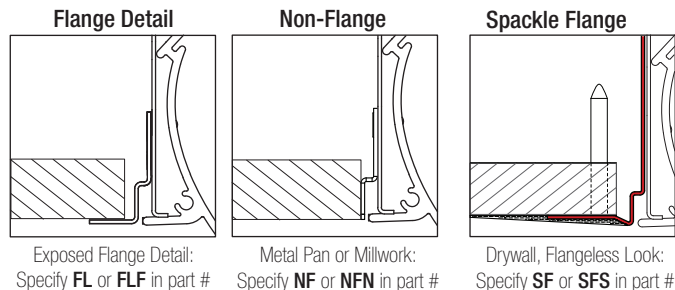


¹Acoustical Grid Ceiling and Inaccessible Ceilings available as individual units or continuous rows. Individual units and rows are available for on-grid installation with acoustical ceilings.

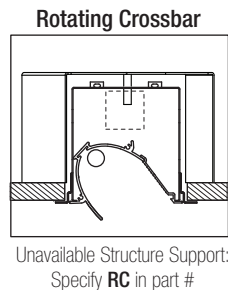
• **MOUNTING DETAILS**



• **INACCESSIBLE CEILING MOUNTING**



• **SPECIALTY MOUNTS**



• **MR16 HALOGEN LAMP**

APPLICATION: MR16's are ideal for conference rooms, corridors, wall washing, retail spaces and training facilities where accent lighting is required.

TECHNICAL: MR16 fully enclosed compartment eliminates light from entering into other fixture areas. Available in 20, 35 and 50 watt halogen lamps (lamps not included). Consult factory for other lamp types. Lamp tilts to 35 degrees left or right with 179 degree rotation.

ELECTRICAL: Standard 50 watt max halogen lamp transformer. MR16 installed as independent circuit. MR16 voltage to match fluorescent voltage. Universal voltage and 347 volt not available.

LABELS: UL and cUL Listed, approved for dry/damp location unless otherwise noted.

ORDERING INFORMATION: Specify MR16 layout and lens in the options section of the part number. Sample Catalog #: EW-1T5-2-FL-120-1C-S-M2/LP. See MR16 Resource Guide for Layout and Lens Options



• **BAFFLE**

APPLICATION: Baffle controls glare and provides lengthwise shielding of lamp.

CONSTRUCTION: Curved baffles are highly reflective white painted aluminum. Baffles are field installed and feature a snap-in attachment.

ORDERING INFORMATION: Specify Baffle (B) in the options section of the part number. Sample Catalog #: EW-1T5-24-FL-120-W-B.



• **CLEAR ACRYLIC LENS**

APPLICATION: Lens is ideal for applications requiring lamp protection.

CONSTRUCTION: Clear acrylic lens lays in allowing for easy lamp replacement.

ORDERING INFORMATION: Specify Clear Acrylic Lens (LC) in the options section of the part number. Sample Catalog #: EW-1T5-2-FL-120-1C-S-LC.