

EDGE EX6WET

6" Suspended Direct Linear WET

Key Features

- Approved for wet location unless otherwise noted. IP65 and IK10 rated
- Fixture is built using corrosion resistant materials
- 6063-T5 Extruded aluminum housing
- Highly reflective die-formed white painted reflector
- All-inclusive module houses all LED system components in one compact unit
- Unit easily releases from the housing for room-side maintenance
- Wiring access available through bottom of housing
- 5-year limited warranty covers LED, driver and fixture
- UL and cUL listed
- Buy American Act compliant



Example Part #: EX6-WET-N-830HO-8'-IND-PP18JB-U-OL1-1-0-W

EX6 - **WET** - **N** - CRI, CCT & OUTPUT - LENGTH - MOUNTING - VOLTAGE - DRIVER - CIRCUITING - BATTERY & EMERGENCY - FINISH - FIXTURE OPTIONS

WET	N	---		
DIRECT SHIELDING	INDIRECT SHIELDING	CRI, CCT & OUTPUT	LENGTH ¹	
WET - Satine Wet Lens Shielding pg. 2	N - None Shielding pg. 2	27 - 2700K 30 - 3000K 35 - 3500K 40 - 4000K CL - Custom Lumens CW - Custom Watts Lumen Output pg. 2 Example: 830HO is 8 = 80 CRI; 30 = 3000K; HO = High Output; Blank = Standard Output	- Individual Fixture Length pg. 2	
---	---	---	---	
POSITION ²	MOUNTING ³	VOLTAGE	DRIVER	
IND - Individual Fixture BOR - Beginning of Row MOR - Middle of Row EOR - End of Row Position pg. 3	PP_JB - Pendant to J Box PP_ST - Pendant to Structure WA - Wall Mount S - Surface Mount Mounting pg. 3	U - Universal (120 thru 277V) 1 - 120V 2 - 277V 3 - 347V Voltage pg. 3	OL1 - Osram (10%, 0-10v, standard) OL2 - Osram (1%, 0-10v) OL3 - Osram 347v (10%, 0-10v) EE1 - eldoLED ECOdrive (1%, 0-10v) EE1 - eldoLED SOLOdrive (0%, 0-10v) LH1 - Lutron Hi-lume (1%, EcoSystem) L51 - Lutron 5-Series (5%, EcoSystem) PL2 - Philips Xitanium (1%, 0-10v) PS1 - Philips Xitanium (50%/100%) ND - Non-Dimming Driver pg. 3	
---	---	---	---	
CIRCUITING	BATTERY & EMERGENCY ⁴	FINISH	FIXTURE OPTIONS	CONTROLS
1 - Single Circuit M - Multi Circuit E - Emergency (entire fixture) N - Night Light (entire fixture) Circuiting pg. 4	0 - None P - Philips Bodine 10W I - Iota 10W Integral IC - Iota 10W Integral CEC Listed E - Emergency Section N - Night Light Section L - Life Safety Section G - Philips Bodine GTD Battery and Emergency pg. 4	W - White S - Metallic Silver BL - Textured Black BR - Bronze GR - Graphite CC - Custom Color Finish pg. 4	GLR - Internal Fast Blow Fuse EPF - End Power Feed CC-C - Custom Color Canopy CC-P - Custom Color Pendant Fixture Options pg. 5	Pinnacle is able to accommodate different control solutions from different manufacturers. Consult Factory for more information.

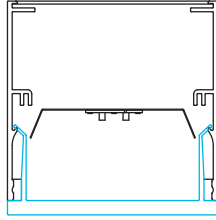
¹ Individual fixtures come in nominal 2', 3', 4', 5', 6', 7', & 8' lengths, see pg. 2 for actual lengths. ² Specify position of fixture. Use IND for an individual fixture, use BOR, MOR, or EOR for building connected rows. ³ Specify pendant length of either 12", 18" or 24". ⁴ Enter quantity for Battery and Emergency, Example 2P.

Specifications and dimensions subject to change without notice. Specification sheets that appear on pinnacle-ltg.com are the most recent version and supersede all other previously printed or electronic versions.



Direct Shielding

WET
Satine Wet Lens



Indirect Shielding

N
None

Output

- Specify either 80 or 90 CRI
- Longer lead-time may apply for 90 CRI. Consult factory
- 80 CRI = R9≥19 and 90 CRI = R9≥61

Custom Output- Lumens OR Wattage

CL _____ Specify CRI, CCT and desired lumens (i.e. CL835500) *Specify lumens between standard offering listed below. Lumens are specified per color temp*

CW _____ Specify CRI, CCT and desired wattage (i.e. CW9407) *Specify watts between standard offering listed below*

80 CRI

	Color	Output	Watts <i>per foot</i>	Shielding WET Satine Wet <i>Lumens/ft</i>	<i>LPW</i>
830	3000K	Standard	4.6	366	79.6
830HO	3000K	High	8.6	678	78.6
835	3500K	Standard	4.6	377	82.0
835HO	3500K	High	8.6	698	80.9
840	4000K	Standard	4.6	384	83.5
840HO	4000K	High	8.6	711	82.4

90 CRI

927	2700K	Standard	4.6	289	62.8
927HO	2700K	High	8.6	536	62.1
930	3000K	Standard	4.6	338	73.5
930HO	3000K	High	8.6	625	72.5
935	3500K	Standard	4.6	339	73.7
935HO	3500K	High	8.6	628	72.8
940	4000K	Standard	4.6	343	74.6
940HO	4000K	High	8.6	635	73.6

Length

2	3	4	5	6	7	8
Individual Fixture	Individual Fixture	Individual Fixture	Individual Fixture	Individual Fixture	Individual Fixture	Individual Fixture
27-1/8" (689mm)						
	39" (991mm)					
		50-3/4" (1289mm)				
			62-5/8" (1591mm)			
				74-5/8" (1895mm)		
					86-1/2" (2197mm)	
						98-3/8" (2499mm)

Specifications and dimensions subject to change without notice. Specification sheets that appear on pinnacle-ltg.com are the most recent version and supersede all other previously printed or electronic versions.



Position

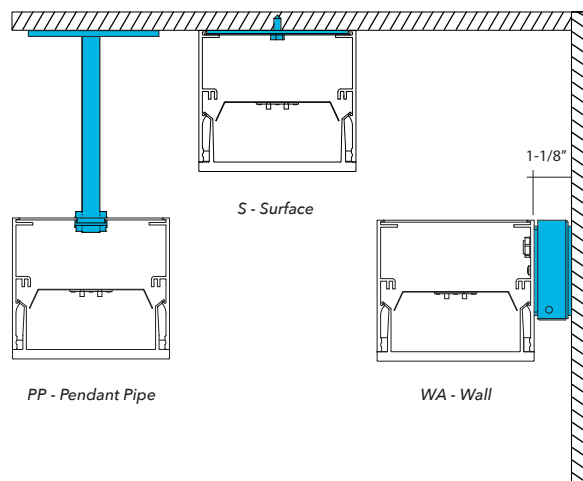
- When making rows with EDGE Wet, the rows must be ordered as individual units with a position specified
- Positions can either be "BOR" - Beginning of Row, "MOR" - Middle of Row, or "EOR" - End of Row
- The connection between fixtures is less than 1/8"
- For single, non-connected units, specify as "IND" for individual

IND	BOR	MOR	EOR
Individual Fixture	Beginning of Row	Middle of Row	End of Row

Mounting

- 1/2" diameter rigid stem pendant and wall mount available
- Specify overall pendant length of 12", 18" or 24"
- Specify pendant length in ordering code (PP12JB)
- Utilize Surface Mount for in-wall application. Building surface waterproofing by others
- End trims and power cord attached at factory
- Canopies and pendants are painted white unless otherwise specified
- Canopy and pendant color specified on Fixture Options page
- Approved for wet location unless otherwise noted
- Refer to installation instructions during installation at the jobsite
- Fixtures may only be installed with the direct lens facing down. For an in-wall application with the lens facing outward, please see the EDGE Wet Recessed Spec Sheet.

PP_JB	Pendant Pipe to J-Box
PP_ST	Pendant Pipe to Structure
WA	Wall Mount
S	Surface



Voltage

- Some EDGE Wet configurations will not accommodate all voltage options; consult with factory

U	Universal
1	120 volt
2	277 volt
3	347 volt

Driver

- Standard Driver Option = OL1
- Driver Lifetime: 50,000 hours at 25°C ambient operating conditions
- For more driver options see Pinnacle Resource Guide
- Some EDGE Wet configurations will not accommodate all driver options; consult with factory

OL1	Osram Otoptronic 10%, 0-10v
OL2	Osram Optotronic 1%, 0-10v, nominal 1% dimming range
OL3	Osram Optotronic 347v 10%, 0-10v, requires 347v option
EE1	eldoLED ECOdrive 1%, 0-10v Logarithmic
EE2	eldoLED ECOdrive 1%, 0-10v Linear
ES1	eldoLED SOLOdrive 0%, 0-10v Logarithmic
ES2	eldoLED SOLOdrive 0%, 0-10v Linear
LH1	Lutron Hi-lume Soft-on, Fade-to-black 1%, EcoSystem, LDE1
L51	Lutron 5-Series 5%, EcoSystem, LDE5
PL2	Philips Advance Xitanium 1%, 0-10v
PS1	Philips Advance Xitanium Step Dimming 50%/100%
ND	Non-Dimming



How to specify Circuiting, Battery and Emergency

- 1**
- Select fixture circuiting from options below
 - Some EDGE WET configurations will not accommodate all circuiting options, consult with factory

Circuiting

1	Single Circuit
M	Multi Circuit
E	Emergency Circuit only
N	Night Light Circuit only

- 2** + **3**
- Battery and emergency section options are available in addition to fixture circuit
 - Select battery and emergency section options below; factory shop drawing required
 - Some EDGE WET configurations will not accommodate all circuiting options, consult with factory

Battery and/or Emergency *If Required*

0	No battery or specific emergency section required
----------	---

Battery

- Select battery section type if required, indicate total QTY. *Example 2P*
- 90 minute battery runtime; test button is integral to fixture
- No battery option available for 2' lengths
- Entire direct fixture housing is on battery for lengths up to 5'
- Half of direct fixture is on battery for 6', 7' or 8' housing lengths
- For more battery options available, see Pinnacle Resource Guide

0	No battery
_P	Philips Bodine 10w Integral
_I	Iota 10w Integral
_IC	Iota 10w Integral <i>CEC Listed</i>

Emergency

- Select emergency section type if required, indicate total QTY. *Example 1E*
- Combine battery and emergency section ordering codes if both options are selected

_E	Emergency circuit section
_N	Night Light circuit section
_L	Life Safety circuit section NO THROUGH WIRE
_G	Philips Bodine GTD, Generator Transfer Device section

For Approximate Battery Lumen Output

- Multiply battery wattage X fixture LPW shown on Lumen Table
- 92.3 (LPW) x 10 (watts) = 923 battery lumen output

Battery OR Emergency Ordering Examples

- Single circuit, 10w Integral Battery Ordering Code: 1-1P
- Emergency only, 10w Integral Battery Ordering Code: E-1P
- Single circuit, GTD required Ordering Code: 1-1G

Combination Section Ordering Examples

- Single circuit, (1) 10w battery, (1) emergency section Ordering Code: 1-1P1E
- Multi circuit, (2) 10w battery, (2) emergency sections Ordering Code: M-2P2E
- Single circuit, (1) night light section Ordering Code: 1-1N

Finish

- Standard powder-coat textured white, metallic silver, textured black, graphite or bronze painted finish; consult factory for chip of standard paint finishes
- Selecting a fixture finish other than white may impact lumen output; consult factory for more information

W	White
S	Metallic Silver
BL	Textured Black
GR	Graphite
BR	Bronze
CC	Custom Color



Fixture Options

- Specify CC-C or CC-P to match housing. If not specified, canopy will be standard matte white.

GLR	Internal Fast Blow Fuse
AM	Antimicrobial
EPF	End Power Feed
CC-C	Custom Color Canopy
CC-P	Custom Color Pendant

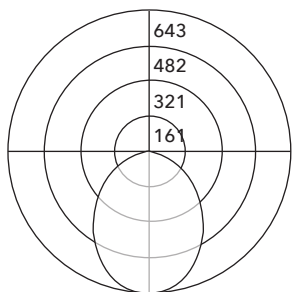
Controls

- Pinnacle is able to accommodate different control solutions from different manufacturers. Consult Factory for more information.

Photometrics

Satine Wet Lens

Test #	ITL86503
Catalog #	EX6-WET-N-840-4
Lumens	1536 lm
Watts	18.4 W
Efficacy	83 LPW



Candela Distribution

Vert Angle	Horizontal Angle				
	0	22.5	45	67.5	90
0	643	643	643	643	643
5	638	638	638	637	637
10	626	625	624	623	622
15	605	601	600	598	594
20	578	571	570	565	560
25	541	532	531	523	518
30	499	490	487	477	472
35	452	444	439	428	422
40	404	396	388	377	371
45	353	346	338	326	321
50	302	298	289	278	273
55	253	250	243	232	227
60	206	204	198	190	185
65	162	160	156	150	147
70	120	120	118	114	112
75	82	83	84	82	81
80	49	51	53	54	54
85	22	25	29	31	32
90	1	5	10	14	15

Luminance Data (cd/sq.m)

Angle In Degrees	Average 0-Deg	Average 45-Deg	Average 90-Deg
45	2685	2484	2330
55	2366	2156	1989
65	2050	1828	1681
75	1668	1504	1396
85	1302	1183	1201

For all available IES files, please visit our website at pinnacle-ltg.com. Photometry testing in accordance to IESNA-LM-79-08 at an NVLAP accredited testing laboratory. Testing conducted at 25°C ambient conditions

Applications & Certificates

Construction 6063-T5 extruded aluminum housing with welded ends. Internal lens gaskets seal housing to prevent moisture and debris from entering the fixture. Pressure equalizing vent allows fixture to "breathe" preventing condensation.

Shielding Solid acrylic diffuse snap-in lens with matte finish with an EPDM gasketed for complete wet seal.

Mounting Fixtures can be installed individually or connected for a continuous run appearance. IND fixtures are individual fixtures and have no joining holes. IND fixtures cannot be joined. BOR fixtures are used for beginning of row and have joining holes on non-power end of fixture. MOR fixtures are used for middle of row and have joining holes on both ends of fixture. EOR fixtures are used for the end of a row and have no joining holes on power end of fixture. Consult factory for detailed installation instructions.

LED 25°C test environment. Lumen output/wattage has a margin of +/- 5%; 2' or 3' lengths may have a greater wattage deviation. All luminaire configurations tested in accordance with IES LM-79. Diodes tested in accordance with IES LM-80. Lifetime calculated using IES TM-21. Minimum lifetime greater than 60,000 hours. Lifetime Projection L70 = 136,200 hours and L90 = 41,100 hours. MacAdam 3-Step Ellipses. Not all products are Lighting Facts listed. For all available IES files, please visit our website at pinnacle-ltg.com.

CRI, CCT & Lumen Output Two lumen packages available. Standard and High (HO). Custom outputs are available. Specify custom lumens or watts between standard offering listed on CRI, CCT & Output page. 80 CRI is available for 3000K, 3500K, and 4000K. 90 CRI is available for 2700K, 3000K, 3500K, and 4000K. 80 CRI = R9≥19 and 90 CRI = R9≥61.

Voltage Universal (U), 120 volt (1), 277 volt (2) and 347 volt (3) options available. Must specify OL3 in Driver section when 347 volt (3) is selected. Some EDGE Wet configura-

tions will not accommodate all voltage options; consult with factory.

Driver Standard Driver Option is Osram 0-10V, 10% = OL1. Electronic driver, Power factor is >0.9 with a THD <20%. Driver Lifetime: 50,000 hours at 25°C ambient operating conditions. Ambient operating range: -20°F/-30°C to 92°F/34°C. For more driver options, see Pinnacle Resource Guide. Some EDGE Wet configurations will not accommodate all driver options.

Circuiting Select from single circuit (1), Multi circuit - For multiple circuiting and zone control, requires factory shop drawing (M), Emergency circuit (E) or Night Light circuit (N). For emergency circuiting situations that require no through wire or circuit separation, Life Safety Circuit should be selected. This will provide a separate power feed and only the Life Safety Circuit in that section. Some EDGE Wet configurations will not accommodate all circuiting options; consult with factory.

Battery & Emergency Select battery or emergency options if required. If battery or emergency option is not required, enter 0. Battery duration is 90 minutes as standard. Test button is integral to fixture. For more Battery options, see Pinnacle Resource Guide.

Finish Standard powder-coat textured white, metallic silver, textured black, graphite or bronze painted finish; consult factory for chip of standard paint finishes or for additional custom color and finish options.

Controls Consult Factory

Labels UL and cUL Listed, approved for wet location unless otherwise noted. IP65 and IK10 rated.

Buy American Act Compliant

Warranty EDGE Wet LED offered with a 5-year limited warranty. Covers LED, driver and fixture.