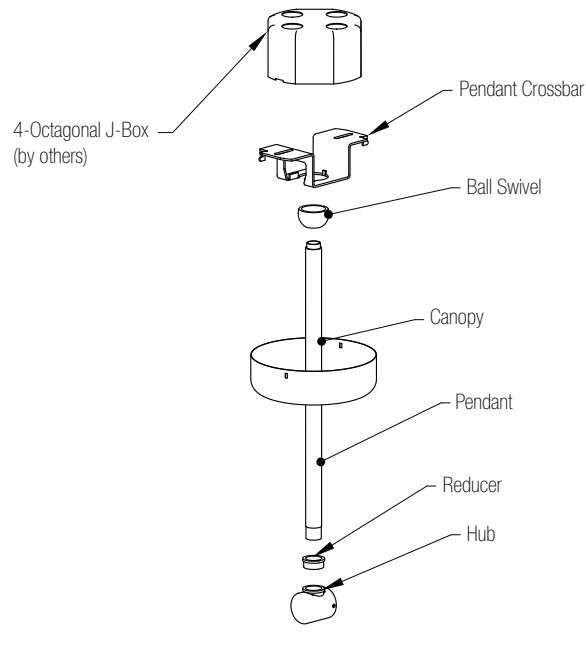




VERTIGO T5/T5HO & T8 PS - to - JB Mount

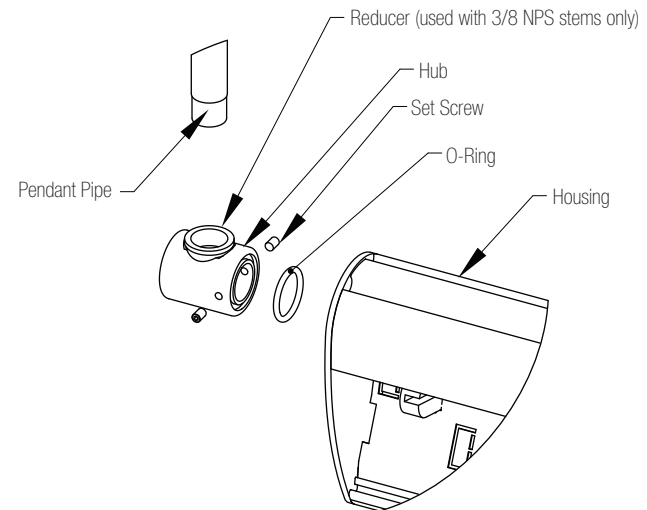
Step 1: Swivel Mount

1. Slide Canopy onto Pendant.
2. Screw brass Reducer to Hub and Pendant.
3. Screw Ball Swivel to Pendant.
 1. Attach crossbar to junction box.
 2. Attach Ball Swivel to Crossbar.
 3. If this is power side, bring wires from the J-Box down through the pendant.
 4. Fit Canopy slots over Crossbar tabs.



Step 3: Mounting to the Fixture

1. Use specified orientation.
2. Slip fixture over Hub Bushing and ensure rubber O-ring is installed.
3. Rotate fixture to desired angle and tighten Set Screw.



1. This product must be installed in accordance with applicable installation and electrical codes by a professional familiar with the construction and operation of the product.
2. Minimum 90°C supply conductors
3. All electrical connections must be performed by a certified electrician to applicable local and national electrical codes.
4. Do not assemble fixture together on ground and then install.

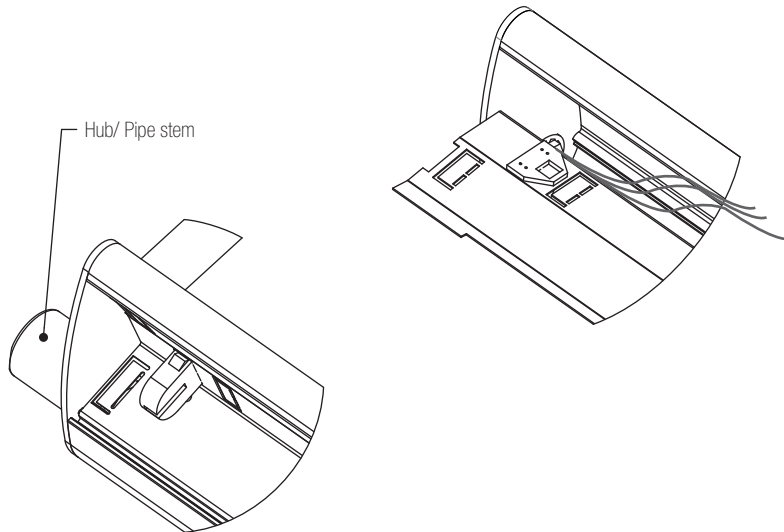


VERTIGO

T5/T5HO & T8 PS - to - JB Mount

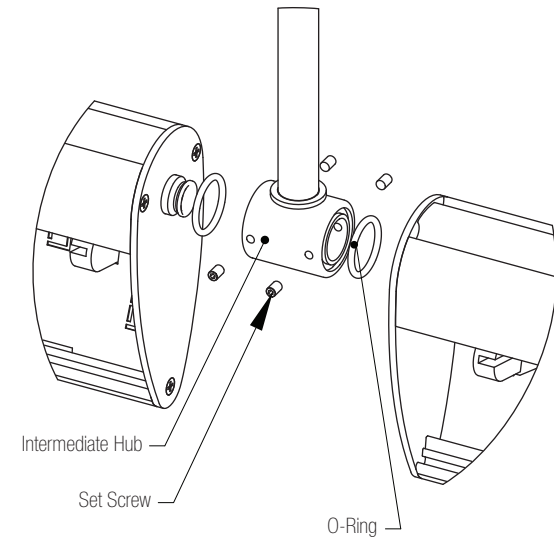
Step 3: Making the Connections

1. Once the fixture is mounted, bring the wires through the End Hub.
2. Remove reflector.
3. Make power connections inside fixture.
4. Re-install reflector.

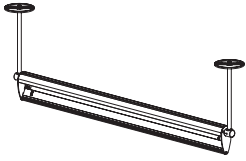


Step 4: Continuous Runs

1. Bring wires from first fixture through the Intermediate Hub.
 2. Attach next fixture to the Intermediate Hub.
 3. Rotate fixture to desired angle, and tighten Set Screws.
 4. Remove reflector.
 5. Make power connections inside of fixture.
 6. Re-install reflector.
- (note: removing reflectors prior to mounting allows for easier access to wiring.)**



1. This product must be installed in accordance with applicable installation and electrical codes by a professional familiar with the construction and operation of the product.
2. Minimum 90°C supply conductors
3. All electrical connections must be performed by a certified electrician to applicable local and national electrical codes.
4. Do not assemble fixture together on ground and then install.



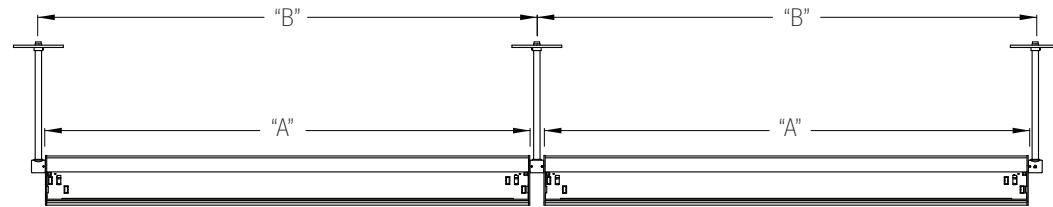
VERTIGO T5/T5HO & T8 PS - to - JB Mount

Row Configuration Chart

Nominal Row Length	Fixture Units in Row Configuration
2 ft	2'
3 ft	3'
4 ft	4'
5 ft	2' + 3'
6 ft	6'
7 ft	4' + 3'
8 ft	8'
9 ft	3' + 3' + 3'
10 ft	3' + 4' + 3'
11 ft	4' + 3' + 4'
12 ft	6' + 6'
13 ft	3' + 4' + 6'
14 ft	3' + 8' + 3'
15 ft	3' + 4' + 8'
16 ft	8' + 8'
17 ft	8' + 6' + 3'
18 ft	6' + 6' + 6'
19 ft	8' + 3' + 8'
20 ft	6' + 8' + 6'
21 ft	3' + 6' + 3' + 6' + 3'
22 ft	8' + 6' + 8'
23 ft	4' + 6' + 3' + 6' + 4'
24 ft	8' + 8' + 8'

Mounting Dimensions:

Use the chart below to lay out and install junction boxes.



	"A"	"B"
2 ft	24-1/4"	25-5/8"
3 ft	36-1/4"	37-5/8"
4 ft	48-1/4"	49-5/8"
6 ft	72-1/4"	73-5/8"
8 ft	96-1/4"	97-5/8"



1. This product must be installed in accordance with applicable installation and electrical codes by a professional familiar with the construction and operation of the product.
2. Minimum 90°C supply conductors
3. All electrical connections must be performed by a certified electrician to applicable local and national electrical codes.
4. Do not assemble fixture together on ground and then install.