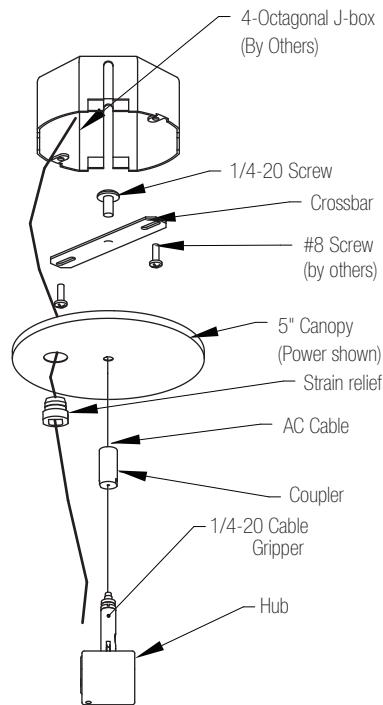




VERTIGO T5/T5HO & T8 AC - to - JB Mount

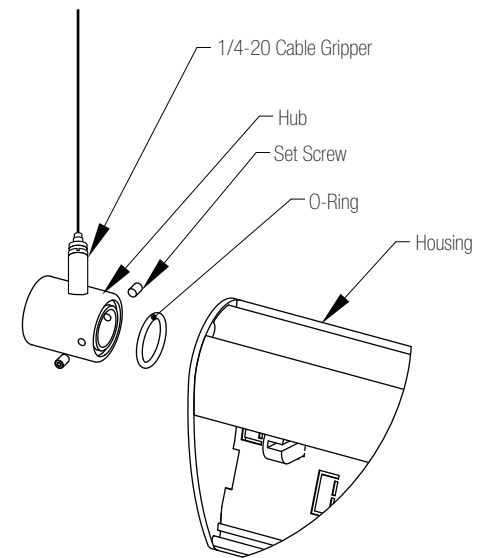
Step 1: Mounting to Ceiling

1. Install junction box onto T-Bar ceiling. Tie box off to structure. Install conduit from building power
2. Thread 1/4-20 stud to crossbar for power mounts. Install crossbar to junction box.
3. Run SJT cord through canopy, make necessary power connections, secure using strain relief.
4. Feed aircraft cable through coupler.
5. Secure canopy to crossbar bolts using aircraft cable coupler.

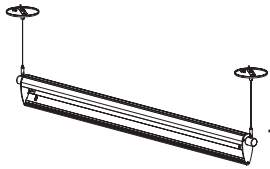


Step 2: Mounting to fixture

1. Use specified orientation.
2. Slip fixture over Hub Bushing and ensure rubber O-ring is installed.
3. Rotate fixture to desired angle and tighten Set Screw.



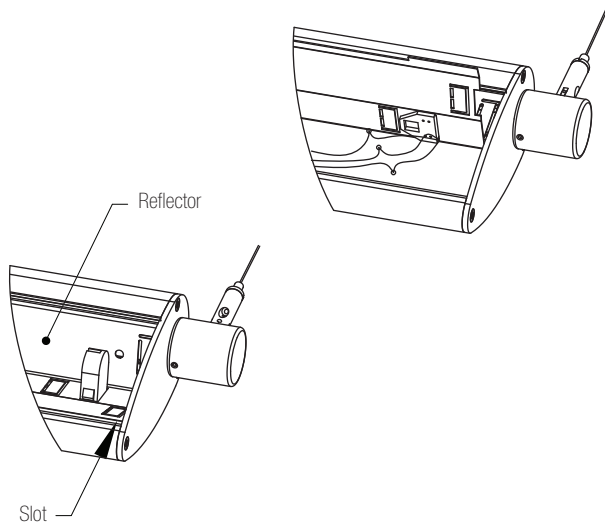
1. This product must be installed in accordance with applicable installation and electrical codes by a professional familiar with the construction and operation of the product.
2. Minimum 90°C supply conductors
3. All electrical connections must be performed by a certified electrician to applicable local and national electrical codes.
4. Do not assemble fixture together on ground and then install.



VERTIGO T5/T5HO & T8 AC - to - JB Mount

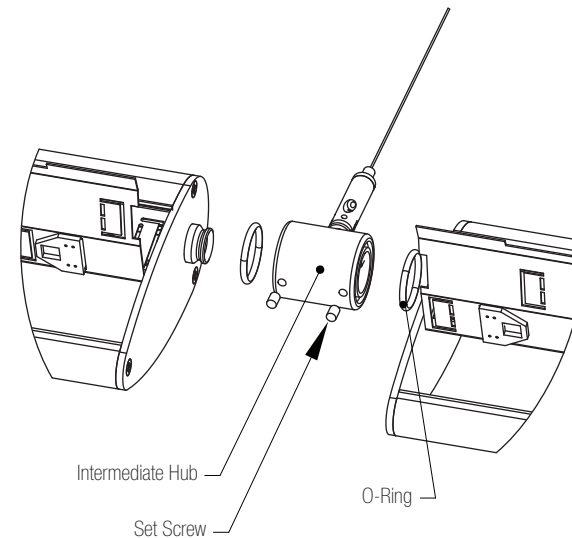
Step 3: Making the Connections

1. Once the fixture is mounted, bring the wires through the End Hub.
2. Remove reflector.
3. Make power connections inside fixture.
4. Re-install reflector.

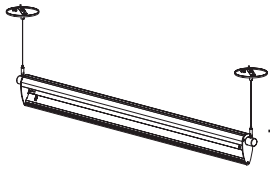


Step 4: Continuous Runs

1. Bring wires from first fixture through the Intermediate Hub.
 2. Attach next fixture to the intermediate Hub.
 3. Rotate fixture to desired angle, and tighten Set Screws.
 4. Remove reflector.
 5. Make power connections inside of fixture.
 6. Re-install reflector.
- (note: removing reflectors prior to mounting allows for easier access to wiring.)**



1. This product must be installed in accordance with applicable installation and electrical codes by a professional familiar with the construction and operation of the product.
2. Minimum 90°C supply conductors
3. All electrical connections must be performed by a certified electrician to applicable local and national electrical codes.
4. Do not assemble fixture together on ground and then install.



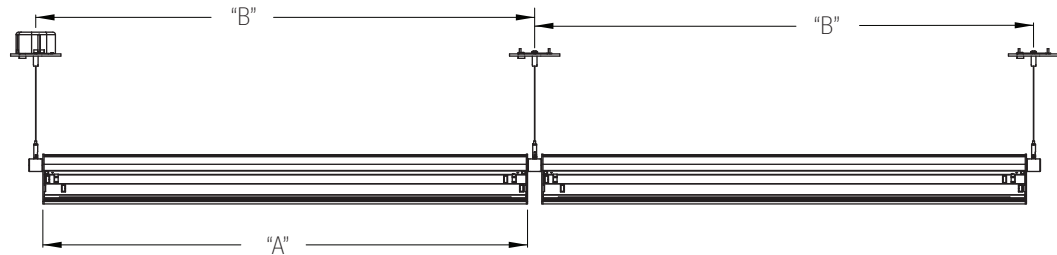
VERTIGO T5/T5HO & T8 AC - to - JB Mount

Row Configuration Chart

Nominal Row Length	Fixture Units in Row Configuration
2 ft	2'
3 ft	3'
4 ft	4'
5 ft	2' + 3'
6 ft	6'
7 ft	4' + 3'
8 ft	8'
9 ft	3' + 3' + 3'
10 ft	3' + 4' + 3'
11 ft	4' + 3' + 4'
12 ft	6' + 6'
13 ft	3' + 4' + 6'
14 ft	3' + 8' + 3'
15 ft	3' + 4' + 8'
16 ft	8' + 8'
17 ft	8' + 6' + 3'
18 ft	6' + 6' + 6'
19 ft	8' + 3' + 8'
20 ft	6' + 8' + 6'
21 ft	3' + 6' + 3' + 6' + 3'
22 ft	8' + 6' + 8'

Mounting Dimensions:

Use the chart below to lay out and install junction boxes.



	"A"	"B"
2 ft	24-1/4"	25-5/8"
3 ft	36-1/4"	37-5/8"
4 ft	48-1/4"	49-5/8"
6 ft	72-1/4"	73-5/8"
8 ft	96-1/4"	97-5/8"

1. This product must be installed in accordance with applicable installation and electrical codes by a professional familiar with the construction and operation of the product.
2. Minimum 90°C supply conductors
3. All electrical connections must be performed by a certified electrician to applicable local and national electrical codes.
4. Do not assemble fixture together on ground and then install.

