

CONSTRUCTION Extruded aluminum housing with cold rolled steel ends.

REFLECTOR Highly reflective die-formed specular anodized aluminum with asymmetric distribution.

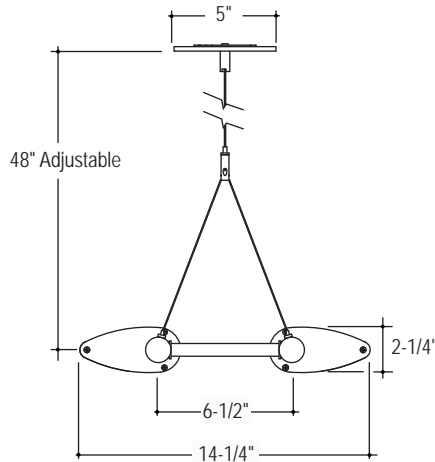
LENS Standard indoor fluorescent luminaires are "open" without lensing unless otherwise specified.

ELECTRICAL Standard T5 and T5HO: Program start 120/277 volt integral electronic ballast with less than 10% THD. Standard T8: Instant start 120/277 volt electronic ballast with less than 10% THD. Through wiring with quick connects standard. Standard single circuit. Each ballast provided with disconnects to meet luminaire disconnect code requirement.

MOUNTING Galvanized steel aircraft cable mounts easily to structure or junction box with canopy. One 18 gauge straight power cord provided as standard. Canopy and power cord is painted white unless otherwise specified.

FINISH Standard powder-coat textured white painted finish. Consult factory for custom color and finishes.

LABELS UL and cUL Listed and approved for dry/damp location.



Shown with optional baffle (B). Vertigo is standard "open" without baffle or lens.

LUMINAIRE SPECIFICATION

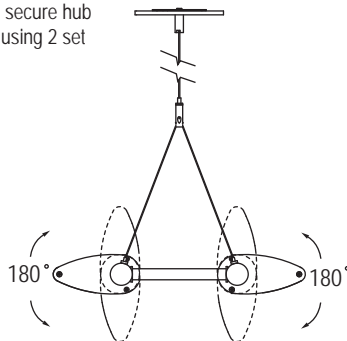
Sample Catalog #: VU-1T5-8'-DAC48JB-120-1C-W

PRODUCT	LAMPS	LENGTH	MOUNTING	VOLTAGE	CIRCUITING	FINISH	OPTIONS
VU- Vertigo Linear indoor luminaire, indirect (UP)	1T5- (1) T5 1T5HO- (1) T5HO 2T5- (2) T5 2T5HO- (2) T5HO	Individual Units 4- 4' 8- 8'	Aircraft Cable ¹ DAC48JB- Junction Box DAC48ST- Structure	120- 120 V 277- 277 V 347- 347 V ² UNV- UNV ² (120/277)	1C- Single Circuit 2C- Dual Circuit ³ 1D- Single Circuit Dimming ³ 2D- Dual Circuit Dimming ³ 1B- Single Circuit with Battery Pack ³ 2B- Dual Circuit with Battery Pack ³ 1E- Single Circuit with Emergency Circuit ³ 2E- Dual Circuit with Emergency Circuit ³	W- Matte White S- Metallic Silver CC- Custom Color	B- Baffle ⁴ A- Acrylic Lens ⁵
VD- Vertigo Linear indoor luminaire, direct (DOWN)	1T8- (1) T8						

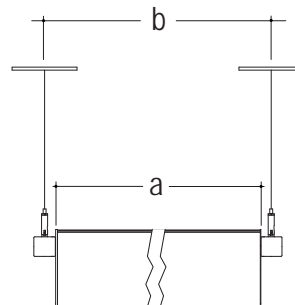
¹Standard 48" Adjustable Cable. Consult factory for additional lengths.
²347 volt and UNV not available with battery packs.
³Some Vertigo configurations will not accommodate all electrical options. Consult factory.
⁴Baffle to match housing finish.
⁵Baffle and Lens not available together.

ROTATION

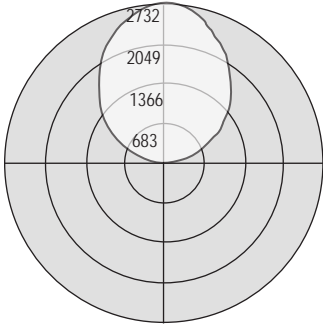
Hub allows for 90 degree rotation of the fixture head in either direction. Move fixture head to desired position and secure hub onto fixture bushing using 2 set screws.



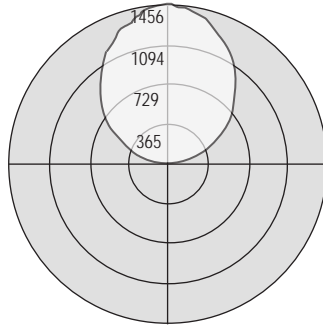
MOUNTING DIMENSION



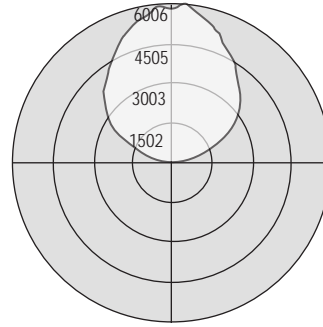
	Individual Units	
	4'	8'
a. Nominal Length	48-1/4"	96-1/4"
b. Mount Spacing	49-5/8"	97-5/8"



Test # 202348
Lamp: (1) 54 Watt T5HO
Total Luminaire Efficiency: 95.4%



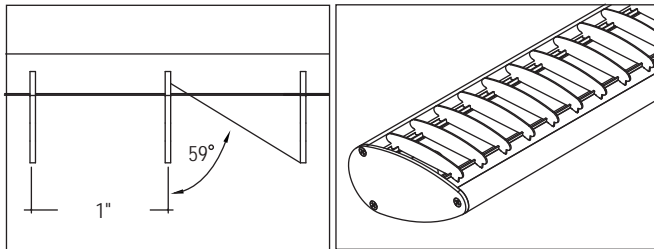
Test # 202351
Lamp: (1) 32 Watt T8
Total Luminaire Efficiency: 77.6%



Test # 202354
Lamp: (2) 54 Watt T5HO
Total Luminaire Efficiency: 90.0h%

FEATURES AND OPTIONS

• EXTERNAL BAFFLE



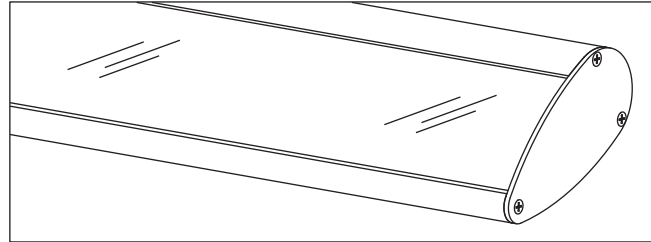
Application: External Baffle controls glare and reduces light output by 10%. Recommended when lengthwise shielding of lamp is required.

Construction: Curved baffles are high reflective white painted aluminum blades. Blade height is 5/8" and spaced 1" on center. Baffles are field installed and feature a snap in attachment allowing for easy lamp replacement.

Ordering Information: Indicate "B" in the Options section of the part number. (Sample Catalog #: VU-1T5HO-4-DAC48JB-120-W-B).

Restriction: External Baffle is not available in conjunction with Acrylic Lens.

• ACRYLIC LENS



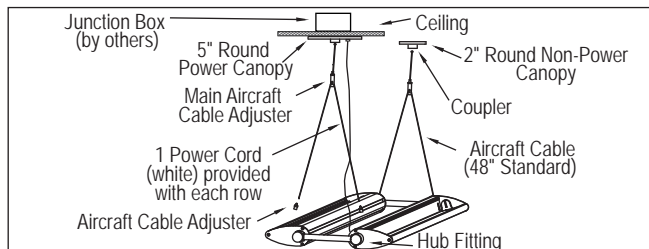
Application: Acrylic lens prevents particle ingress for interior environments.

Construction: One-piece UV stabilized curved linear prismatic acrylic lens. Acrylic lens is removable allowing for easy lamp replacement.

Ordering Information: Indicate "A" in the Options section of the part number. (Sample Catalog #: VU-1T5HO-4-DAC48JB-120-W-A).

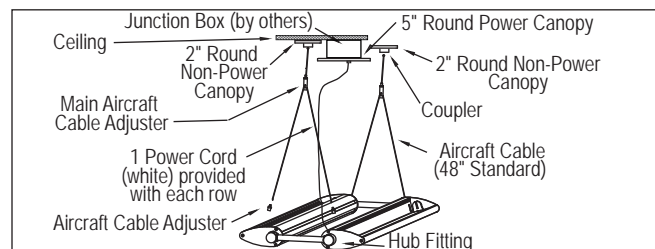
Restriction: Acrylic lens is not available in conjunction with External Baffle.

• MOUNTING DETAIL (DAC_JB)



Assembly: Aircraft cable is fed through coupler and then through the main adjuster. Position canopy on ceiling and screw coupler into ceiling. Canopy is secured between the coupler and ceiling. 2 hub fittings are supplied per fixture side. One hub contains both an adjuster and an aircraft cable. Secure this fitting to the fixture using the supplied set screws. Feed the aircraft cable wire through the main adjuster and thread through the adjuster on the other hub fitting. Secure this hub assembly to the fixture using the set screws. The aircraft cable can be adjusted in 4 different locations - at both hub fittings, up and down on main adjuster and side-to-side on main adjuster. As a standard, one power cord is provided with each fixture. The power cord is secured through the back of the fixture head with a strain relief. Wires are fed through pendant to supply power to second fixture. A 5" canopy is provided for each power mount and 2" canopies are provided for all non-power mounts.

• MOUNTING DETAIL (DAC_ST)



Assembly: Aircraft cable is fed through coupler and then through the main adjuster. Position canopy on ceiling and screw coupler into ceiling. Canopy is secured between the coupler and ceiling. 2 hub fittings are supplied per fixture side. One hub fitting contains both an adjuster and an aircraft cable. Secure this fitting to the fixture using the supplied set screws. Feed the aircraft cable wire through the main adjuster and thread through the adjuster on the other hub fitting. Secure this hub assembly to the fixture using the set screws. The aircraft cable can be adjusted in 4 different locations - at both hub fittings, up and down on main adjuster and side-to-side on main adjuster. As a standard, one power cord is provided with each fixture. The power cord is secured through the back of the fixture head with a strain relief. Wires are fed through pendant to supply power to second fixture. A 5" and 2" canopy are provided for each power mount and 2" canopies are provided for all non-power mounts.