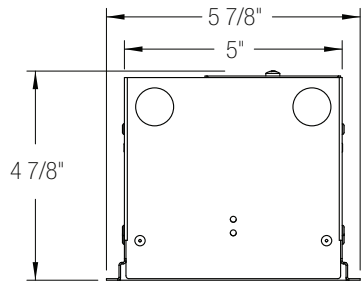
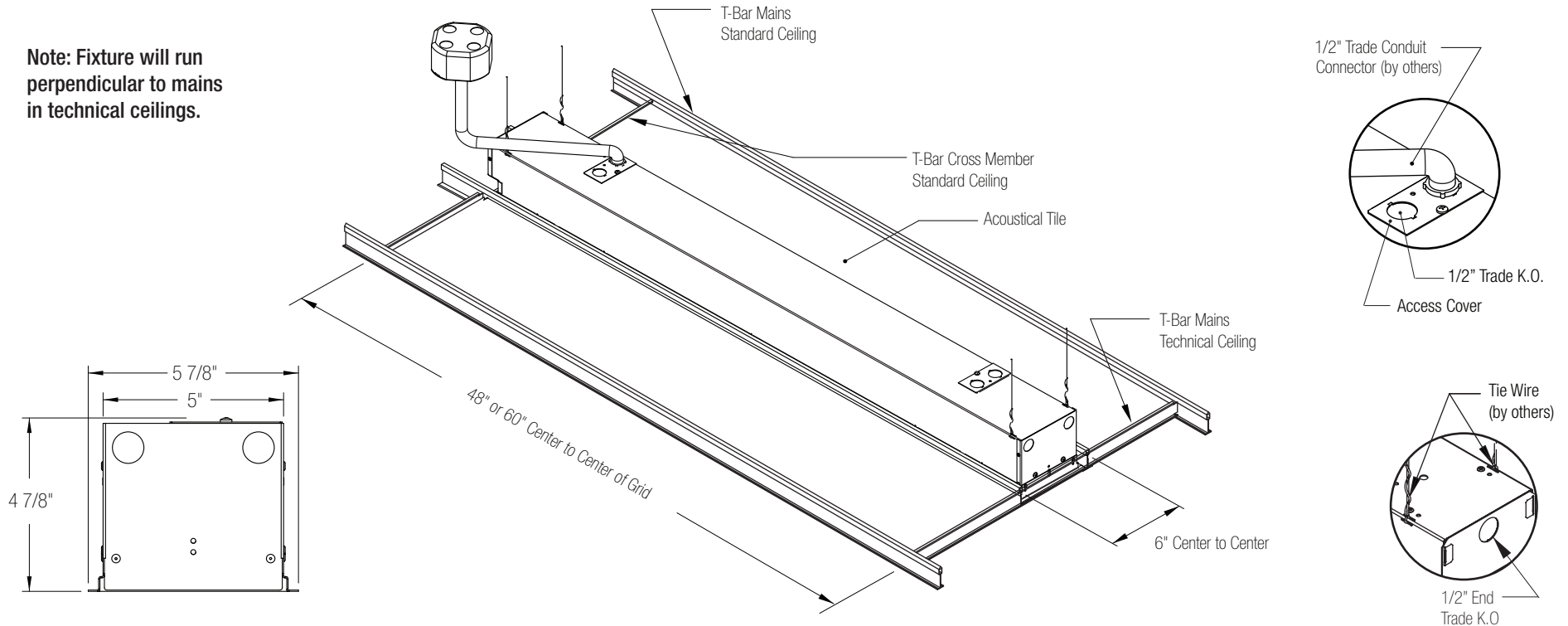


EDGE TECHX

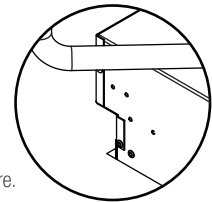
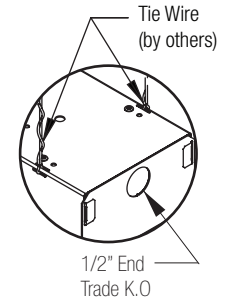
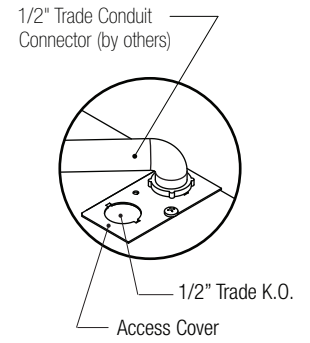
T5/ T5HO/ T8 Individual Grid Installation

Note: Fixture will run perpendicular to mains in technical ceilings.



Step 1: Grid Ceiling

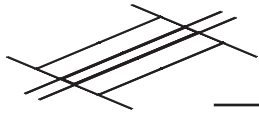
1. Layout fixture and T-bar locations, fixtures require secondary mains along the length of the row (standard grid), both sides.
2. Layout and install junction boxes.
3. Install fixture into grid
4. Remove access cover and attach building conduit using 1/2" trade fittings.
5. Make electrical connections and recess wires into fixture.
6. Replace access cover.



★ Note: Do not block at ends. Block only along length of fixture.

1. This product must be installed in accordance with applicable installation and electrical codes by a professional familiar with the construction and operation of the product.
2. Minimum 90°C supply conductors
3. All electrical connections must be performed by a certified electrician to applicable local and national electrical codes.
4. Fixtures must be mounted directly to structure.





EDGE

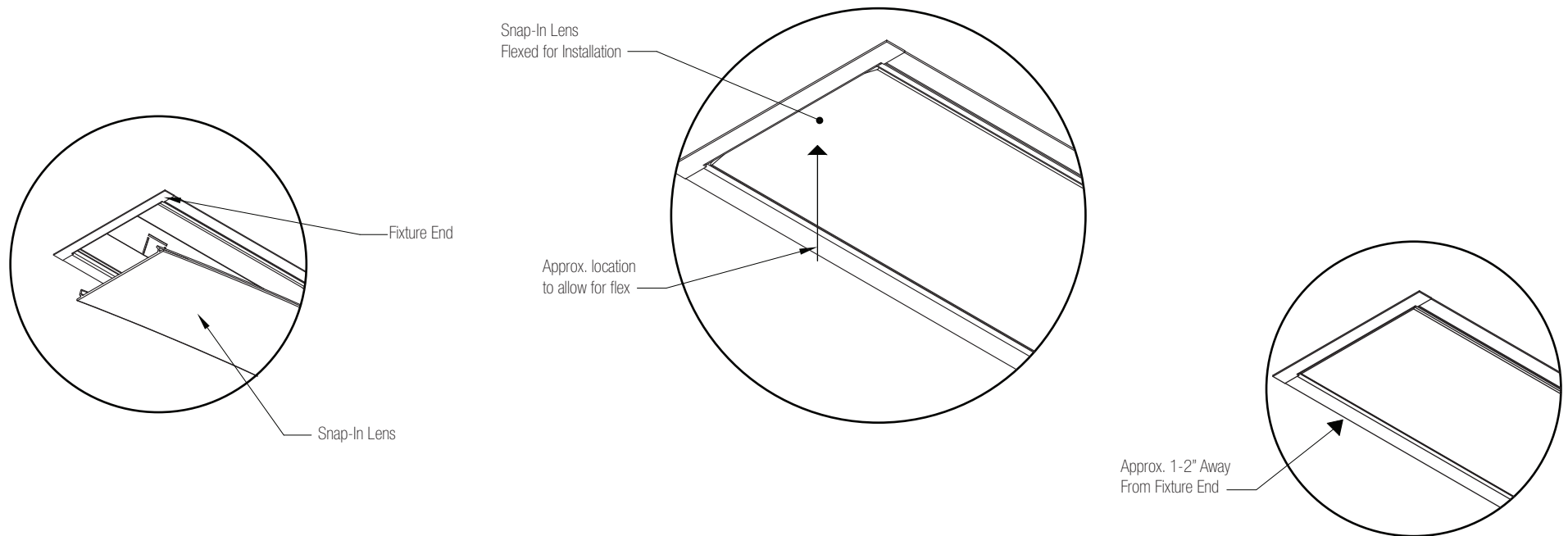
Snap In Lens Lensing detail sheet

Lens Installation

1. Begin at one end of the fixture and insert lens into appropriate position where it will snap into place.
2. Gradually insert the lens along the length of the fixture, snapping it into place as you go.
3. If at any point the lens becomes difficult to insert press slightly into the center of the lens in order to allow for it to flex, temporarily decreasing the width of the lens.

Lens Removal

1. Insert a rigid object approx. 1/16" thick, such as a quarter, into the edge between the lens and the fixture, approx. 1-2" from the end of the lens.
2. Using said object, gently pry lens away from fixture until it is released from the mounting edge.
3. Once the section is released, start at one end of the fixture and pull the lens out of the fixture.



Note: Low temperatures can effect the lens material, making it brittle. Please allow the lenses to warm to room temperature before installation.