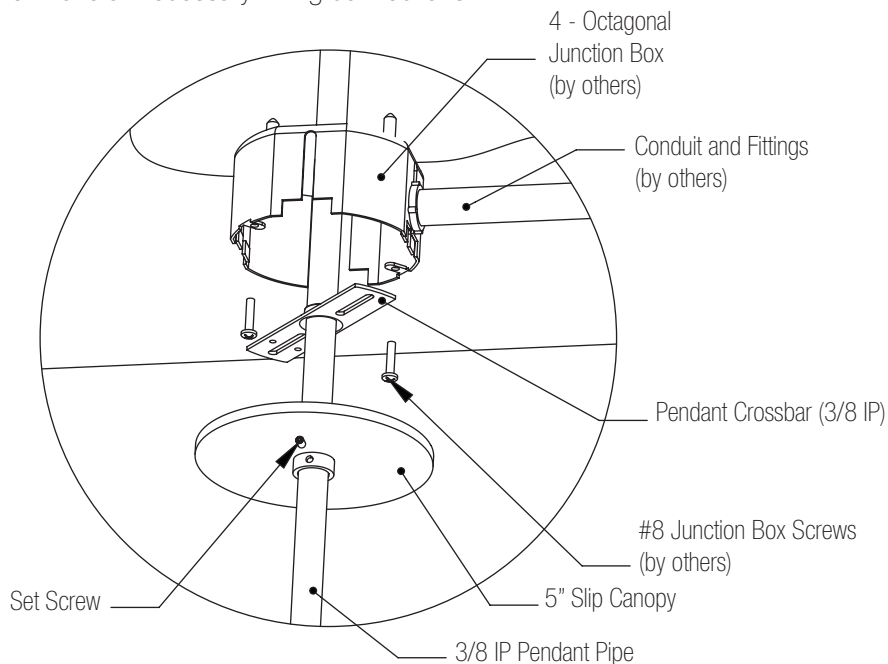
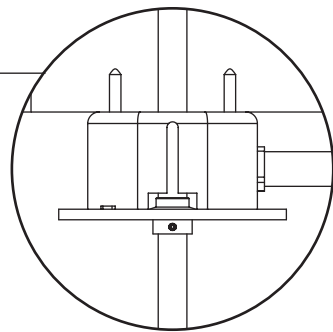


Ridge

T5/T5HO & T8 PP - to - ST Mount

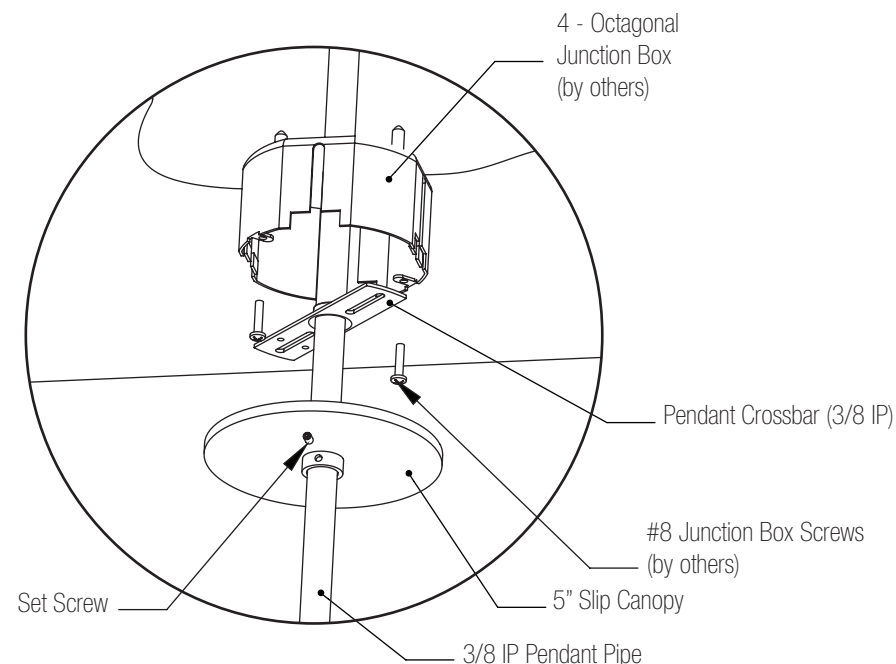
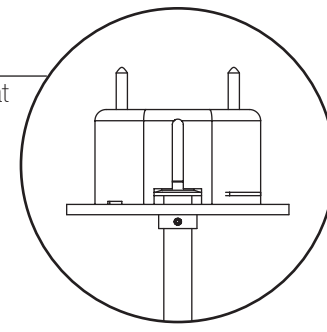
Step 1: Power at Ceiling

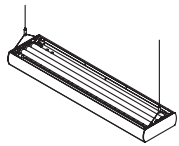
1. Install 4-Octagonal Junction boxes to structure at all mounting locations.
2. Install conduit from building power to J-Box.
3. Install crossbar to J-Box
4. Feed slip cover over pendant and secure pendant to crossbar.
5. Feed power from J-Box through pendant and out leaving 12" for fixture wiring.
6. Make all necessary wiring connections.



Step 2: Non Power Mount

1. Attach 4-Octagonal Junction boxes to structure at all mounting locations.
2. Install crossbar to J-Box.
3. Slide slip canopy over pendant.
4. Rotate pendant onto crossbar.
5. Slide canopy up to ceiling level and secure with set screw.



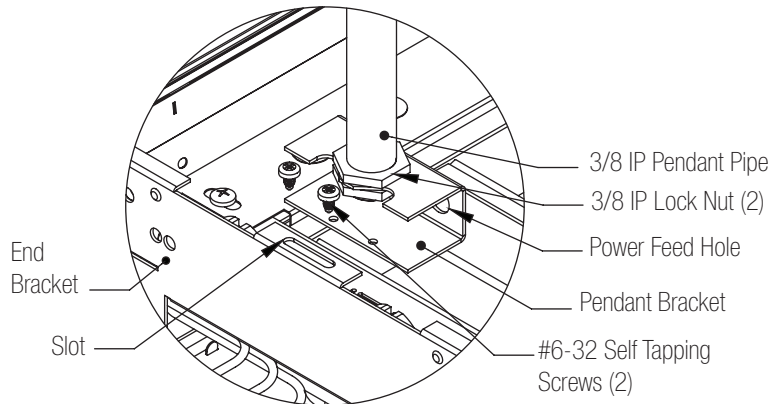
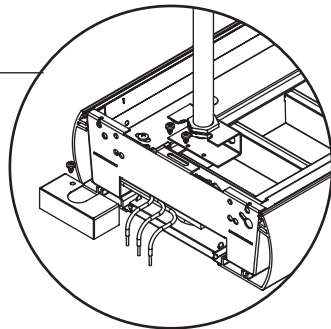


Ridge

T5/T5HO & T8 PP - to - ST Mount

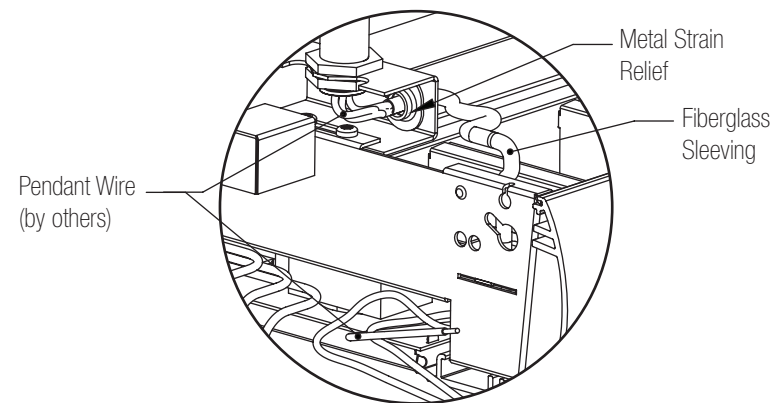
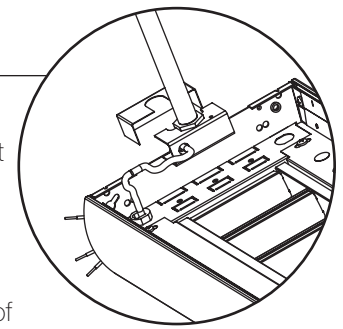
Step 3: Pendant Mounting

1. Place pendant bracket inside end bracket, under lip and aligned with slot.
2. Secure with two (2) #6-32 self tapping screws.
3. Attach one lock nut to pendant and slide through pendant bracket.
4. Attach second lock nut, adjust this lock nut to vertically level fixture.
5. For non-power mount, slide pendant bracket cover onto bracket and secure with #6-32 self tapping screw, tighten top lock nut.



Step 4 : Making the connections

1. Remove K.O. on end bracket (pendant bracket power hole side).
2. Feed pendant wire through pendant and pendant bracket.
3. Sleeve pendant wire from pendant bracket to end bracket K.O. Attach strain relief inside pendant bracket.
4. Feed pendant wire through K.O. and out center of fixture, attach strain relief to sleeving at end bracket.
5. Make power connections ensuring all wires properly matched.

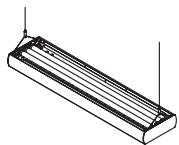


Pendant - Example Rows

Mount Spacing 47", 95", 143"	Mount Spacing 47", 95", 143"	48", 96", 144" Spacing	48", 96", 144" Spacing
Individual Fixture	First Fixture	Consecutive Fixtures	

1. This product must be installed in accordance with applicable installation and electrical codes by a professional familiar with the construction and operation of the product.
2. Minimum 90°C supply conductors
3. All electrical connections must be performed by a certified electrician to applicable local and national electrical codes.
4. Do not assemble fixture together on ground and then install.



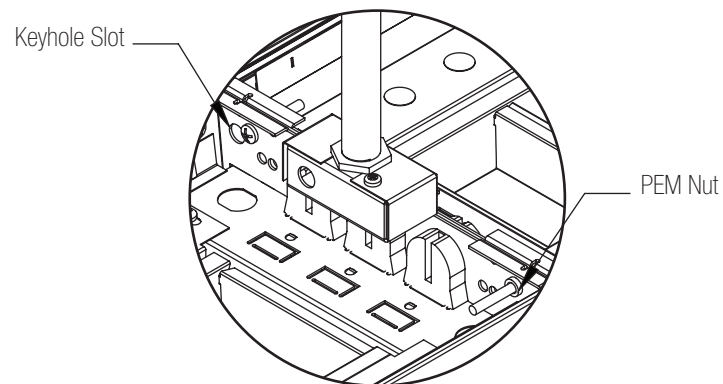
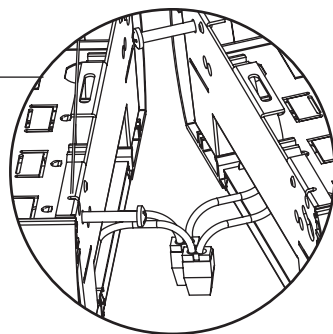


Ridge

T5/T5HO & T8 PP - to - ST Mount

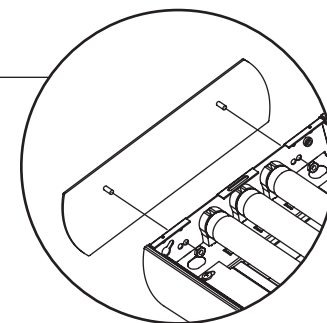
Step 5: Joining Fixtures

1. Install joining kit hardware.
2. Make wiring connections between fixtures, and recess wires into one of the fixtures.
2. Slip adjacent fixture's mounting hardware through the keyhole slots on the end plates.
4. Tighten joining hardware.



Step 6: Finishing

1. Install end caps.
2. Place against end of fixture and secure using two (2) #8-32 screws.



1. This product must be installed in accordance with applicable installation and electrical codes by a professional familiar with the construction and operation of the product.
2. Minimum 90°C supply conductors
3. All electrical connections must be performed by a certified electrician to applicable local and national electrical codes.
4. Do not assemble fixture together on ground and then install.