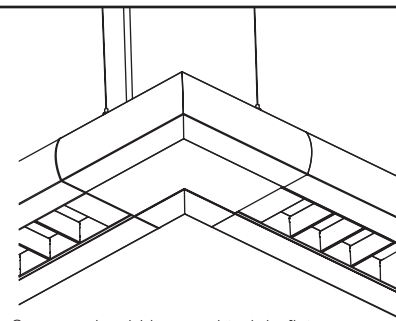
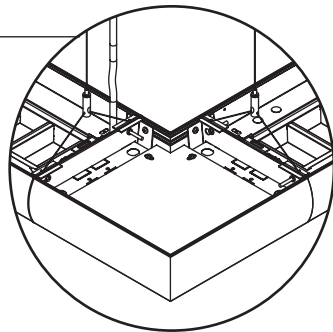


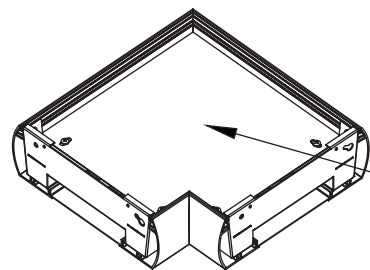
# Ridge Corner Install Instructions

## Corner

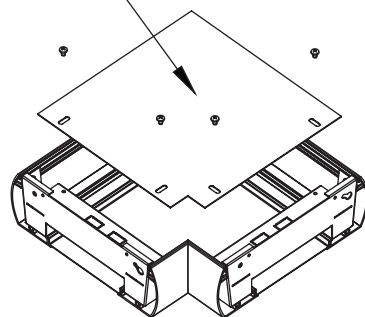
1. Remove top cover of corner assembly.
2. Attach corner to one of the fixtures prior to installation.
3. Ensure wires from housing are fed through the corner.
4. Attach joining hardware to the corner/fixture as shown.
5. Slip adjacent fixtures joining hardware through the keyhole slots.
6. Make necessary wire connections within corner, enclose using supplied push nuts.
7. Tighten joining hardware.
8. Re-attach corner assembly cover.



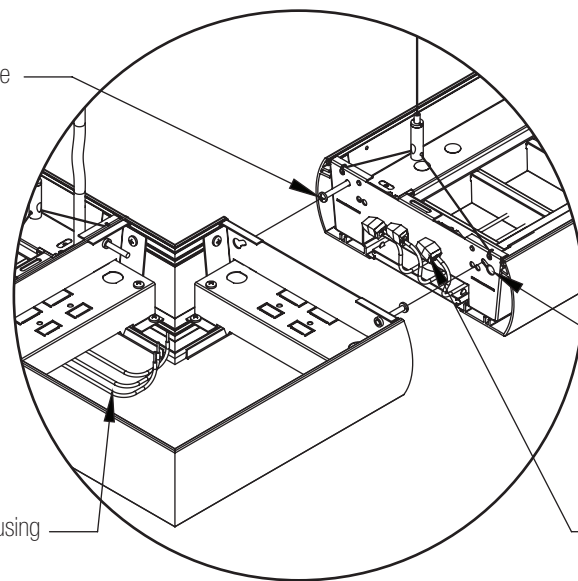
\* Corners should be used to join fixtures together and do not act as mounting location. Mounting must be done utilizing the fixture ends.



Removable Cover for wiring access



Joining Hardware Screws

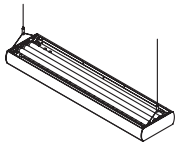


Wires from housing

Keyhole

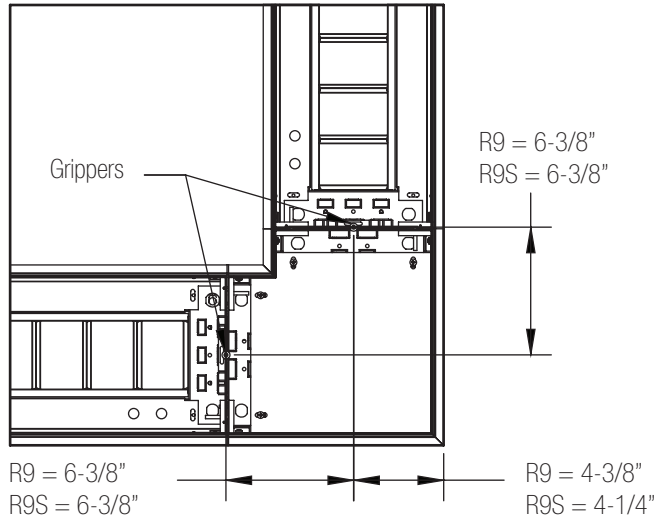
Push Nuts

1. This product must be installed in accordance with applicable installation and electrical codes by a professional familiar with the construction and operation of the product.
2. Minimum 90°C supply conductors
3. All electrical connections must be performed by a certified electrician to applicable local and national electrical codes.
4. Do not assemble fixture together on ground and then install.

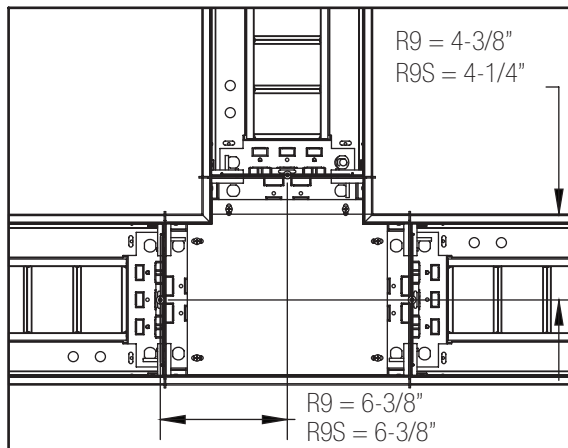


# Ridge Corner Install Instructions

L Shape



T Shape



X Shape

