

T5, T5HO, T8 / Direct and Indirect Luminaire / ACRYLIC LENS

CONSTRUCTION Extruded aluminum housing in a 8-3/4" by 2-7/8" profile. Standard 4'-0", 8'-0" and 12'-0" fixtures can be joined to create continuous runs.

REFLECTOR Standard high reflectance die-formed white painted aluminum. Optional specular reflector.

ENDPLATES Precision fabricated steel endplates are fastened with concealed hardware.

LENS Satine Lens is .125" diffuse acrylic with matte finish.

ELECTRICAL T5, T5HO: Program start 120/277 volt integral electronic ballast with less than 10% THD. T8: Instant start 120/277 volt electronic ballast with less than 10% THD. Through wiring with quick connects standard. Standard single circuit. Each ballast provided with disconnects to meet luminaire disconnect code requirement.

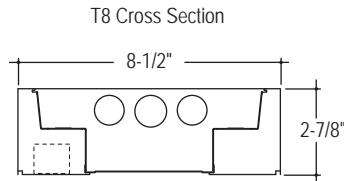
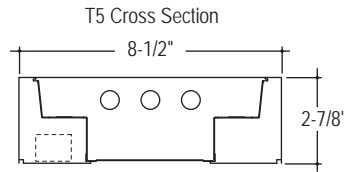
MOUNTING Adjustable aircraft cable mounts on 4'-0", 8'-0" and 12'-0" centers. Refer to installation instructions for appropriate ceiling detail and rigid pendant details. Pendants and canopies are painted white unless otherwise specified.

FINISH Standard powder-coat white painted finish. Consult factory for custom color and finish options.

LABELS UL and cUL Listed and approved for dry/damp location.

Quick Ship Product

For Indoor Lighting Applications

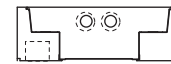


STANDARD LIGHT DISTRIBUTION
Direct: 20%; Indirect: 80%

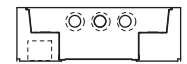
Lamp Options



1T5, 1T8



2T5, 2T8



3T5, 3T8

LUMINAIRE SPECIFICATION

Sample Catalog #: RS9A-2T5-24'-AC48G1-277-1C-W

RS9A- _T_ _ _ _

PRODUCT	LAMPS	LENGTH	MOUNTING	VOLTAGE	CIRCUITING	FINISH	OPTIONS
RS9A- Ridge ² Direct/Indirect indoor luminaire with satine lens	1T5- (1) 28W T5 2T5- (2) 28W T5 3T5- (3) 28W T5 1T5HO- (1) 54W T5HO 2T5HO- (2) 54W T5HO 3T5HO- (3) 54W T5HO 1T8- (1) 32W T8 2T8- (2) 32W T8 3T8- (3) 32W T8	Individual Units 4- 4' 8- 8' 12- 12' Continuous Runs xx'- Specify nominal overall row length in 4' increments	Adjustable Aircraft Cable ¹ AC48G1- 1" T-Bar AC48G9- 9/16" T-Bar AC48GS- Slotted T-Bar AC48JB- Junction Box AC48ST- Structure AC548G_ - 5" Non-Power Canopy ² AC548JB- 5" Non-Power Canopy ² SQ48G_ - 5" Square Canopy ² SQ48JB- 5" Square Canopy ² Pendant ¹ PP__JB- Junction Box (specify O.A.L., 12", 18", 24") PP__ST- Structure (specify O.A.L., 12", 18", 24")	120 - 120V 277 - 277V 347 - 347V ³ UNV - UNV ⁴ (120/277)	1C- Single Circuit 2C- Dual Circuit ^{5,6} 1D- Single Circuit Dimming ⁶ 2D- Dual Circuit Dimming ^{5,6} 1E- Single Circuit with Emergency Circuit ⁶ 2E- Dual Circuit with Emergency Circuit ^{5,6} 1B- Single Circuit with Battery Pack ⁶ 2B- Dual Circuit with Battery Pack ^{5,6}	W- Matte White CC- Custom Color	QS- Quick Ship ⁷ DSM- Daylight Sensor Master (sensor included) ⁸ DSS- Daylight Sensor Satellite (sensor not included) ⁸ MS- Motion Sensor SR- Specular Reflector DG- Dust Guard (Covers top of luminaire) CL- 90 Degree Corner CX- X Connector CT- T Connector

¹Consult factory for additional lengths.

²Replaces standard 2" non-power canopy. Square canopy replaces standard round. Must specify grid ceiling type on AC548G_ and SQ48G_ Select from G1 (1" grid), G9 (9/16" grid), or GS (slotted); for example AC548G1.

³Consult factory for 347 volt ballast.

⁴Not available for use with a battery pack.

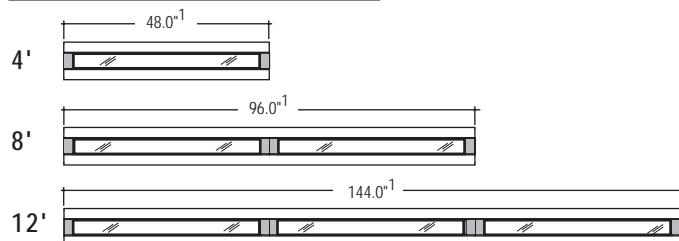
⁵Dual circuit available for 2 (side-by-side) and 3 (inboard/outboard) lamp configurations.

⁶Some Ridge configurations are not available for all circuiting options. Consult factory.

⁷Includes Universal voltage, standard white finish, single (1C) and dual circuit (2C) only.

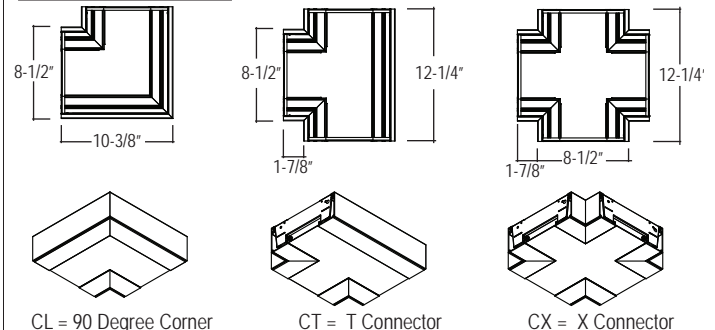
⁸See back page for ordering information. Requires 0-10 volt dimming.

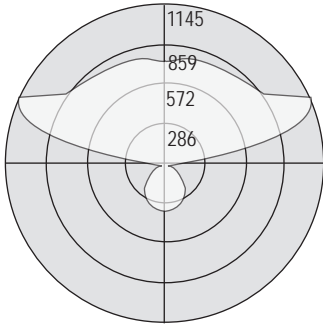
Individual luminaires



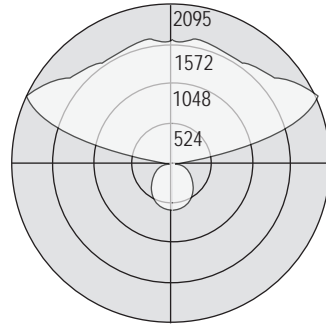
¹Add 1/8" for each end plate or 1/4" to the overall length of the row.

Corner Options

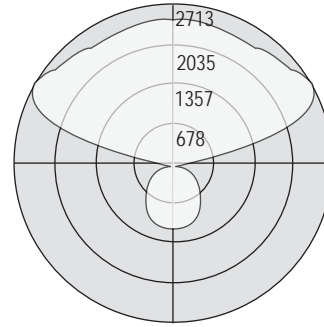




Test #: 203456
 Part #: RS9A-1T5HO-SR
 Total Luminaire Efficiency: 92.0%
 Direct: 20%; Indirect: 80%



Test #: 203462
 Part #: RS9A-2T5HO-SR
 Total Luminaire Efficiency: 90.6%
 Direct: 20%; Indirect: 80%



Test #: 203468
 Part #: RS9A-3T5HO-SR
 Total Luminaire Efficiency: 89.0%
 Direct: 20%; Indirect: 80%

FEATURES AND OPTIONS

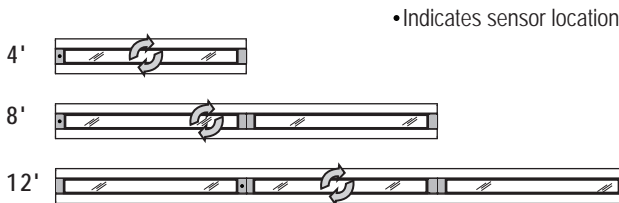
• DAYLIGHT SENSOR



APPLICATION: Daylight sensors are an ideal solution for saving energy, creating smart environments and aiding sustainability. Pinnacle Lighting's daylight sensor is a turn key solution for lighting control. The sensor is easily wired to the 0-10 volt dimming ballast installed in the fixture.

DAYLIGHT SENSOR: Daylight sensor dims lights based on electric light and presence of daylight. Sensor can control up to 20 dimming ballasts. Sensor is factory calibrated to 45 footcandles (fc), adjustable by 1/3 to 3 times the default setting by rotating the aperture.

STANDARD SENSOR PLACEMENT: The sensor location in Ridge fixtures allows for easy placement of the sensor in relation to the space being day-lighted. Housings can be rotated for more flexibility.



ORDERING INFORMATION: Specify row layout in the Options section of the part number when ordering Remote Daylight Sensor. Remote Daylight Sensor Master (DSM) includes the fixture with remote sensor and dimming ballast. Controls DSS units. Remote Daylight Sensor Satellite (DSS) includes the fixture with a sensor compatible dimming ballast only. Must be used in conjunction with a DSM unit. See example 4 and 5 for information on ordering rows with both standard circuiting and daylight sensor.

Example 1
 4' • Indicates sensor location
 4' individual fixture with a Daylight Sensor. Specify: RS9A-2T5-4'-AC48G1-120-1C-W-4DSM

Example 2
 8'
 8' individual fixture wired to a DSM fixture. Specify: RS9A-2T5-8'-AC48G1-120-1C-W-8DSS

Example 3
 16'
 8' fixture with a Daylight Sensor and 8' fixture wired to DSM fixture
 Specify: RS9A-2T5-16'-AC48G1-120-1C-W-8DSM+8DSS

Example 4
 16'
 8' fixture with a Daylight Sensor + 8' fixture wired as standard dual circuit (not wired to the sensor)
 Specify: RS9A-2T5-16'-AC48G1-120-2C-W-8DSM+82C

Example 5
 20'
 12' fixture with a Daylight Sensor + 8' fixture wired as standard single circuit (not wired to the sensor)
 Specify: RS9A-2T5-20'-AC48G1-120-1C-W-12DSM+81C

• STANDARD ROW CONFIGURATION

Pinnacle Architectural Lighting utilizes standard row configurations for continuous runs. Please consult factory if a project requires non-standard row configurations.

Individual Length	Nominal Row Length																			
	4	8	12	16	20	24	28	32	36	40	44	48	52	56	60	64	68	72	76	80
4'	1																			
8'		1		2	1		2	1		2	1		2	1		2	1		2	1
12'			1		1	2	1	2	3	2	3	4	3	4	5	4	5	6	5	6