



**CONSTRUCTION** Extruded aluminum housing in a 5-1/2" by 2-7/8" profile. Standard 4'-0", 8'-0" and 12'-0" fixtures can be joined to create continuous runs.

**REFLECTOR** Standard high reflectance die-formed white painted aluminum. Optional specular reflector available.

**ENDPLATES** Precision fabricated steel endplates are fastened with concealed hardware.

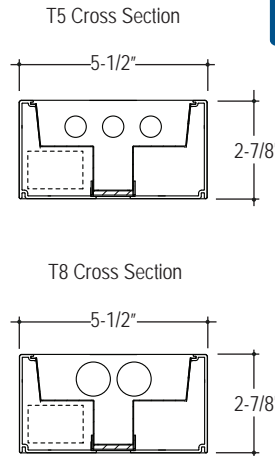
**LENS** Satine Lens is .125" diffuse acrylic lens with matte finish.

**ELECTRICAL** T5, T5HO: Program start 120/277 volt integral electronic ballast with less than 10% THD. T8: Instant start 120/277 volt electronic ballast with less than 10% THD. Through wiring with quick connects standard. Standard single circuit. Each ballast provided with disconnects to meet luminaire disconnect code requirement.

**MOUNTING** Adjustable aircraft cable mounts on 4'-0", 8'-0" and 12'-0" centers. Refer to installation instructions for appropriate ceiling details. Canopies are painted white unless otherwise specified.

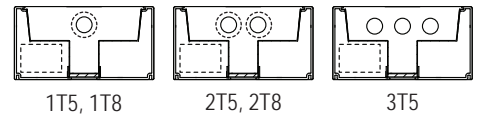
**FINISH** Standard powder-coat white painted finish. Consult factory for custom color and finish options.

**LABELS** UL and cUL Listed and approved for dry/damp location.



**STANDARD LIGHT DISTRIBUTION**  
Direct 15%; Indirect 85%

Lamp Options



**LUMINAIRE SPECIFICATION**

Sample Catalog #: RS5A-1T5-32'-AC48G1-120-1C-W

**RS5A-**

PRODUCT	LAMPS	LENGTH	MOUNTING	VOLTAGE	CIRCUIT/WIRING	FINISH	OPTIONS
RS5A- Ridge <sup>2</sup> 5" Direct/ Indirect indoor luminaire with satine lens	1T5- (1) 28W T5 2T5- (2) 28W T5 3T5- (3) 28W T5 1T5HO-(1) 54W T5HO 2T5HO-(2) 54W T5HO 3T5HO-(3) 54W T5HO 1T8- (1) 32W T8 2T8 (2) 32W T8	Individual Units 4- 4' 8- 8' 12- 12'  Continuous Runs xx'- Specify nominal overall row length in 4' increments	Adjustable Aircraft Cable <sup>1</sup> AC48G1- 1" T-Bar AC48G9- 9/16" T-Bar AC48GS- Slotted T-Bar AC48JB- Junction Box AC48ST- Structure AC5__G_-5" Non-Power Canopy <sup>2</sup> AC5__JB-5" Non-Power Canopy <sup>2</sup> SQ5__G_-Square Canopy <sup>2</sup> SQ5__JB-Square Canopy <sup>2</sup>	120 - 120V 277 - 277V 347 - 347V <sup>3</sup> UNV - UNV <sup>4</sup> (120/277)	1C-Single Circuit 2C-Dual Circuit <sup>5,6</sup> 1D-Single Circuit Dimming <sup>6</sup> 2D-Dual Circuit Dimming <sup>5,6</sup> 1E-Single Circuit with Emergency Circuit <sup>6</sup> 2E-Dual Circuit with Emergency Circuit <sup>5,6</sup> 1B-Single Circuit with Battery Pack <sup>6</sup> 2B-Dual Circuit with Battery Pack <sup>5,6</sup>	W- Matte White CC-Custom Color	QS- Quick Ship <sup>9</sup> DSM- Daylight Sensor Master (sensor included) <sup>7</sup> DSS- Daylight Sensor Satellite (sensor not included) <sup>7</sup> MS- Motion Sensor SR- Specular Reflector DG- Dust Guard <sup>8</sup> CL- 90 Degree Corner CX- X Connector CT- T Connector

<sup>1</sup>Consult factory for additional lengths.

<sup>2</sup>Replaces standard 2" non-power canopy. Square canopy replaces standard round.

<sup>3</sup>Consult factory for 347 volt ballast.

<sup>4</sup>Not available for use with a battery pack.

<sup>5</sup>2 lamps switched side-by-side, 3 lamps switched inboard/outboard.

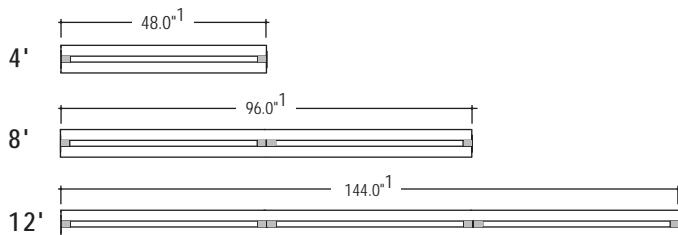
<sup>6</sup>Some Ridge configurations are not available for all circuiting options. Consult factory.

<sup>7</sup>See back page for ordering information. Requires 0-10 volt dimming.

<sup>8</sup>Covers top of luminaire.

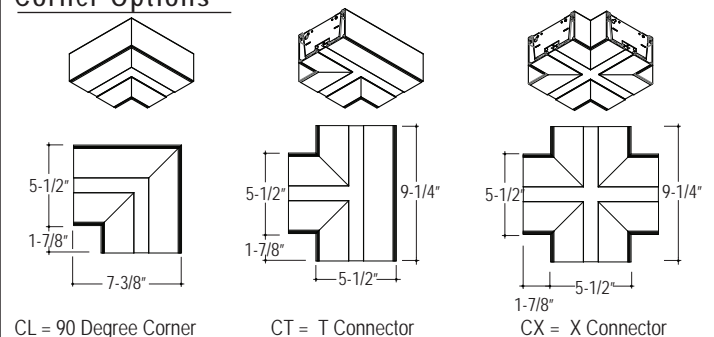
<sup>9</sup>Includes Universal voltage, standard white, single (1C) and dual circuit (2C).

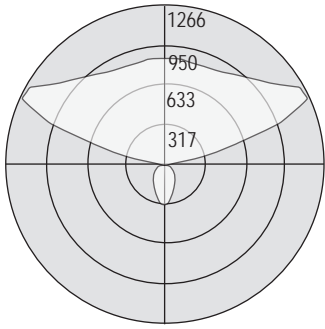
**Individual Luminaires**



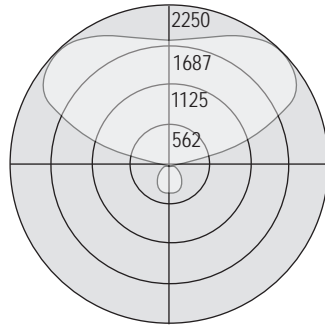
<sup>1</sup>Add 1/8" for each end plate or 1/4" to the overall length of the row.

**Corner Options**

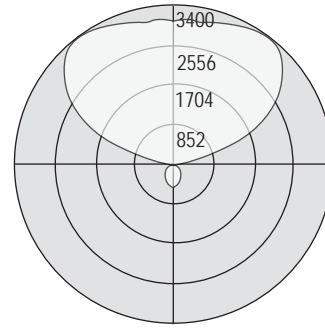




Test #: 203728  
 Part #: RS5A-1T5HO-4-SR  
 Total Luminaire Efficiency: 92.0%  
 Direct: 15%; Indirect: 85%



Test #: 203734  
 Part #: RS5A-2T5HO-4-SR  
 Total Luminaire Efficiency: 90.0%  
 Direct: 12%; Indirect: 88%



Test #: 203739  
 Part #: RS5A-3T5HO-4-SR  
 Total Luminaire Efficiency: 87.0%  
 Direct: 10%; Indirect: 90%

FEATURES AND OPTIONS

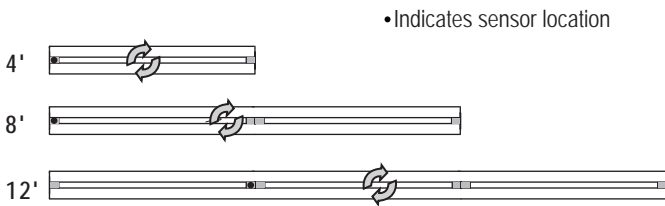
• DAYLIGHT SENSOR



**APPLICATION:** Daylight sensors are an ideal solution for saving energy, creating smart environments and aiding sustainability. Pinnacle Lighting's daylight sensor is a turn key solution for lighting control. The sensor is easily wired to the 0-10 volt dimming ballast installed in the fixture.

**DAYLIGHT SENSOR:** Daylight sensor dims lights based on electric light and presence of daylight. Sensor can control up to 20 dimming ballasts. Sensor is factory calibrated to 45 footcandles (fc), adjustable by 1/3 to 3 times the default setting by rotating the aperture.

**STANDARD SENSOR PLACEMENT:** The sensor location in Ridge fixtures allows for easy placement of the sensor in relation to the space being daylighted. Housings can be rotated for more flexibility.



**ORDERING INFORMATION:** Specify row layout in the Options section of the part number when ordering Integral Daylight Sensor. Daylight Sensor Master (DSM) includes the fixture with sensor and dimming ballast. Controls DSS units. Daylight Sensor Satellite (DSS) includes the fixture with a sensor compatible dimming ballast only. Must be used in conjunction with a DSM unit. See example 4 and 5 for information on ordering rows with both standard circuiting and daylight sensor.

Example 1  
 4' 4DSM  
 4' individual fixture with a Daylight Sensor. Specify: RS5A-2T5-4'-AC48G1-120-1C-W-4DSM

• Indicates sensor location

Example 2  
 8' 8DSS  
 8' individual fixture wired to a DSM fixture. Specify: RS5A-2T5-8'-AC48G1-120-1C-W-8DSS

Example 3  
 16' 8DSM 8DSS  
 8' fixture with a Daylight Sensor and 8' fixture wired to DSM fixture  
 Specify: RS5A-2T5-16'-AC48G1-120-1C-W-8DSM+8DSS

Example 4  
 16' 8DSM 82C  
 8' fixture with a Daylight Sensor + 8' fixture wired as standard dual circuit (not wired to the sensor)  
 Specify: RS5A-2T5-16'-AC48G1-120-2C-W-8DSM+82C

Example 5  
 20' 12DSM 81C  
 12' fixture with a Daylight Sensor + 8' fixture wired as standard single circuit (not wired to the sensor)  
 Specify: RS5A-2T5-20'-AC48G1-120-1C-W-12DSM+81C

• STANDARD ROW CONFIGURATION

Pinnacle Architectural Lighting utilizes standard row configurations for continuous runs. Please consult factory if a project requires non-standard row configurations.

Individual Length	Row Length																			
	4	8	12	16	20	24	28	32	36	40	44	48	52	56	60	64	68	72	76	80
4'	1																			
8'		1		2	1		2	1		2	1		2	1		2	1		2	1
12'			1		1	2	1	2	3	2	3	4	3	4	5	4	5	6	5	6