

**CONSTRUCTION** Extruded aluminum housing in a 8-3/4" by 2-7/8" profile. Standard 4'-0" and 8'-0" fixtures can be joined to create continuous runs.

**REFLECTOR** Standard high reflectance die-formed white painted aluminum. Specular Reflector included.

**ENDPLATES** Precision fabricated steel endplates are fastened with concealed hardware.

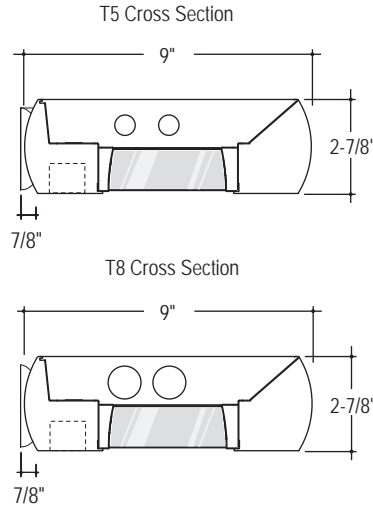
**LOUVER** Semi-specular aluminum parabolic louvers. Bottom width opening 3-5/8", blade height 1-1/4" and spaced 2-3/8" on center.

**ELECTRICAL** T5, T5HO: Program start 120/277 volt integral electronic ballast with less than 10% THD. T8: Instant start 120/277 volt electronic ballast with less than 10% THD. Through wiring with quick connects standard. Standard single circuit. Each ballast provided with disconnects to meet luminaire disconnect code requirement.

**MOUNTING** Fixture is mounted to structure mounted over a switch box using an adjustable bracket.

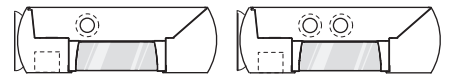
**FINISH** Standard powder-coat white painted finish. Consult factory for custom color and finish options.

**LABELS** UL and cUL Listed and approved for dry/damp location.



**STANDARD LIGHT DISTRIBUTION**  
Direct: 30%; Indirect: 70%

Lamp Options



1T5, 1T8

2T, 5 2T8

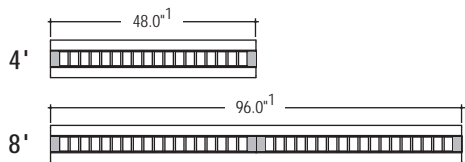
Sample Catalog #: R9P-1T5-32'-WA-120-1C-W

**LUMINAIRE SPECIFICATION**

PRODUCT	LAMPS	LENGTH	MOUNTING	VOLTAGE	CIRCUITING	FINISH	OPTIONS
R9P- Ridge Direct/Indirect indoor luminaire with semi-specular parabolic louver	1T5- (1) 28W T5 2T5- (2) 28W T5 1T5HO- (1) 54W T5HO 2T5HO- (2) 54W T5HO 1T8- (1) 32W T8 2T8- (2) 32W T8	Individual Units 4- 4' 8- 8'  Continuous Runs xx'- Specify nominal overall row length in 4' increments	WA- Wall Mount	120 - 120V 277 - 277V 347 - 347V <sup>1</sup> UNV - UNV <sup>2</sup> (120/277)	1C- Single Circuit 2C- Dual Circuit <sup>3,4</sup> 1D- Single Circuit Dimming <sup>4</sup> 2D- Dual Circuit Dimming <sup>3,4</sup> 1E- Single Circuit with Emergency Circuit <sup>3</sup> 2E- Dual Circuit with Emergency Circuit <sup>3,4</sup> 1B- Single Circuit with Battery Pack <sup>4</sup> 2B- Dual Circuit with Battery Pack <sup>3,4</sup>	W- Matte White CC- Custom Color	DG- Dust Guard (Covers top of luminaire)

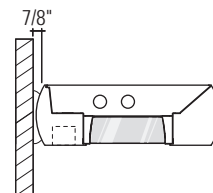
<sup>1</sup>Consult factory for 347 volt ballast.  
<sup>2</sup>Not available for use with a battery pack.  
<sup>3</sup>Dual circuit available for 2 (side-by-side) lamp configurations.  
<sup>4</sup>Some Ridge configurations are not available for all circuiting options. Consult factory.

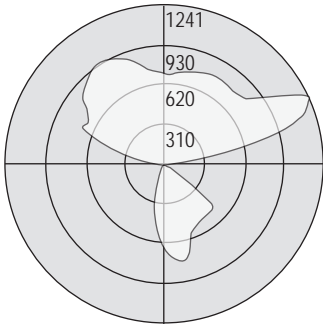
**Individual Luminaires**



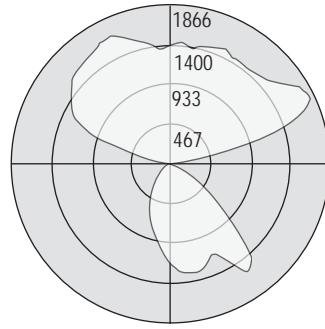
<sup>1</sup>Add 1/8" for each end plate or 1/4" to the overall length of the row.

**Mounting Detail**





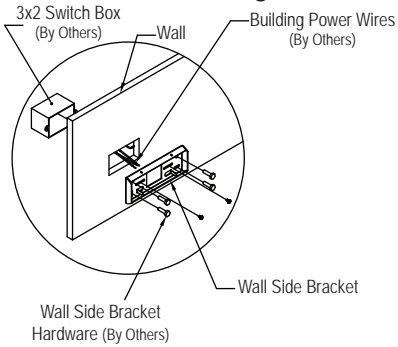
Test #: 203475  
 Part #: R9P-1T5HO  
 Total Luminaire Efficiency: 89.5%  
 Direct: 30%; Indirect: 70%



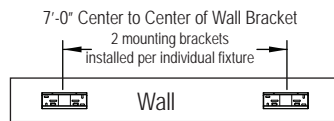
Test #: 203478  
 Part #: R9P-2T5HO  
 Total Luminaire Efficiency: 88.9%  
 Direct: 30%; Indirect: 70%

• MOUNTING DETAIL

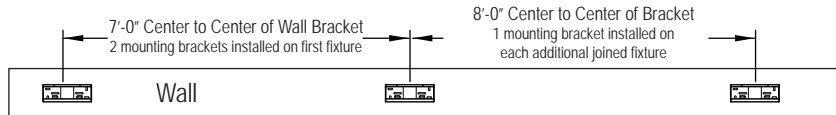
Wall Side Mounting



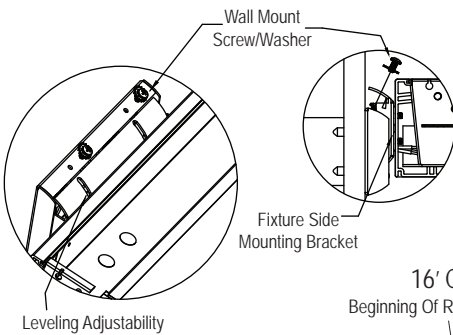
8' Individual Fixture Example



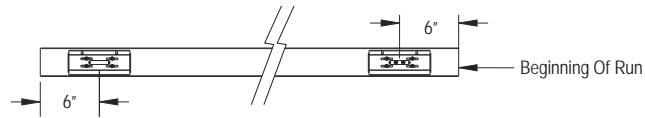
16' Continuous Run Example (2-8' fixture joined)



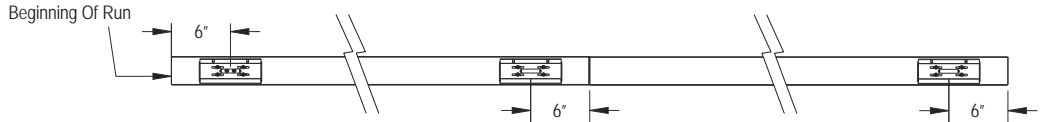
Fixture Side Mounting



8' Individual Fixture Example



16' Continuous Run Example (2-8' fixture joined)



• STANDARD ROW CONFIGURATION

Pinnacle Architectural Lighting utilizes standard row configurations for continuous runs. Please consult factory if a project requires non-standard row configurations.

Individual Length	Nominal Row Length																			
	4	8	12	16	20	24	28	32	36	40	44	48	52	56	60	64	68	72	76	80
4'	1		1		1		1		1		1		1		1		1		1	
8'		1	1	2	2	3	3	4	4	5	5	6	6	7	7	8	8	9	9	10