



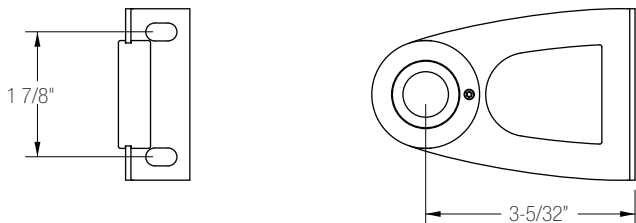
PEAK^{Linear}

T5/T5HO & T8 Flush Mount Installation Instructions

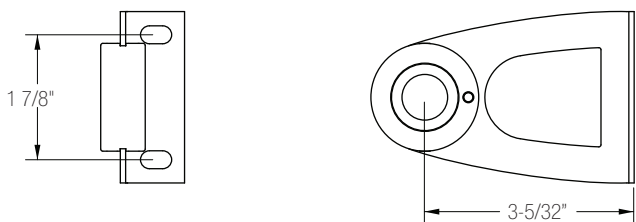
Step 1: Mounting to Wall or Ceiling

1. Layout the junction box and fixture locations.
 2. Fixtures are provided with 3 feet of SJT cord.
 3. Install Beginning of Row Hub.
- (note: see page 3 for layout dimensions)

Beginning of Row/ End of Row Hub

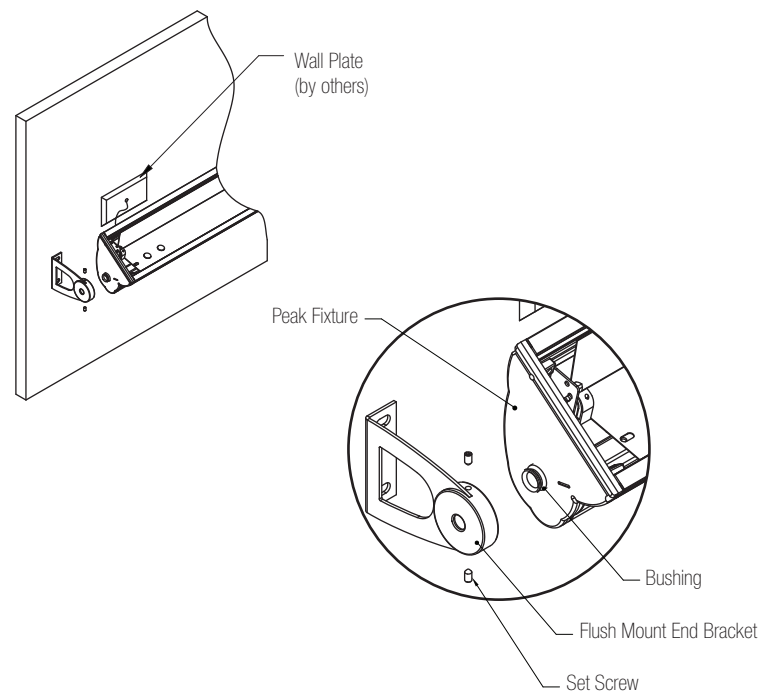


Intermediate Hub



Step 2: Making the Connections

1. Install fixture by sliding Bushing into End Bracket.
 2. Rotate head to desired angle and secure fixture in place using Set Screws.
 3. Make wiring connections inside J-box then cover with Wall Plate.
- (Note: fixture comes with 4' of SJT cord attached 2" from end of fixture)



1. This product must be installed in accordance with applicable installation and electrical codes by a professional familiar with the construction and operation of the product.
2. Minimum 90°C supply conductors
3. All electrical connections must be performed by a certified electrician to applicable local and national electrical codes.
4. Do not assemble fixture together on ground and then install.

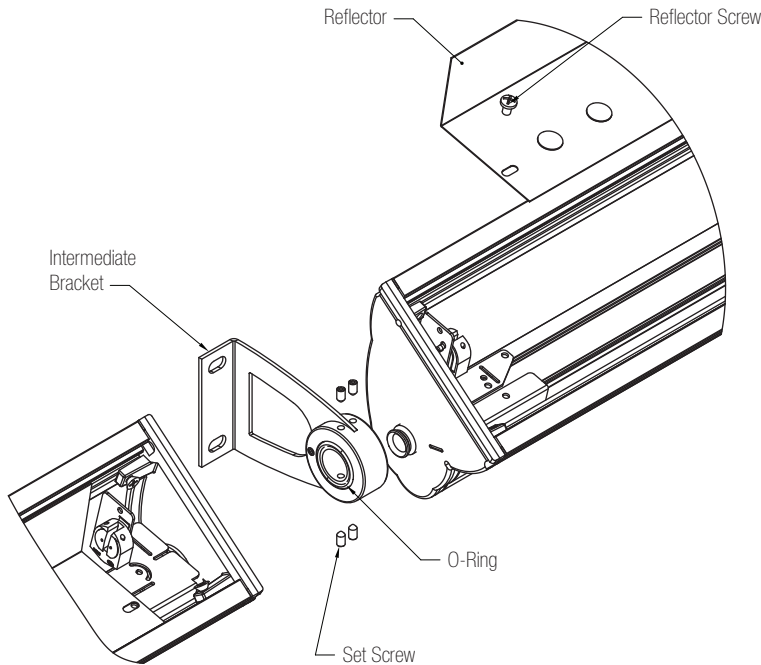
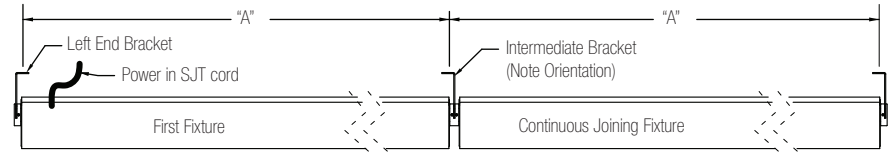


PEAK Linear

T5/T5HO & T8 Flush Mount Installation Instructions

Step 3: Continuous Runs

1. Fish wires from first fixture through Intermediate Hub.
2. Attach next fixture to the Intermediate Hub.
3. Rotate fixture to desired angle, and tighten Set Screws.
4. Remove reflector.
5. Make power connections inside of fixture
6. Re-install reflector.



Fixture Length	Dim "A"
2 ft	24-1/4"
3 ft	36-1/4"
4 ft	48-1/4"
6 ft	72-1/4"
8 ft	96-1/4"

Row Configuration Chart

Nominal Row Length	Fixture Units in Row Configuration
2 ft	2'
3 ft	3'
4 ft	4'
5 ft	2' + 3'
6 ft	6'
7 ft	4' + 3'
8 ft	8'
9 ft	3' + 3' + 3'
10 ft	3' + 4' + 3'
11 ft	4' + 3' + 4'
12 ft	6' + 6'
13 ft	3' + 4' + 7'
14 ft	3' + 8' + 3'
15 ft	3' + 4' + 8'
16 ft	8' + 8'
17 ft	8' + 6' + 3'
18 ft	6' + 6' + 6'
19 ft	8' + 3' + 8'
20 ft	6' + 8' + 6'
21 ft	3' + 6' + 3' + 6' + 3'
22 ft	8' + 6' + 8'
23 ft	4' + 6' + 3' + 6' + 4'
24 ft	8' + 8' + 8'

1. This product must be installed in accordance with applicable installation and electrical codes by a professional familiar with the construction and operation of the product.
2. Minimum 90°C supply conductors
3. All electrical connections must be performed by a certified electrician to applicable local and national electrical codes.
4. Do not assemble fixture together on ground and then install.



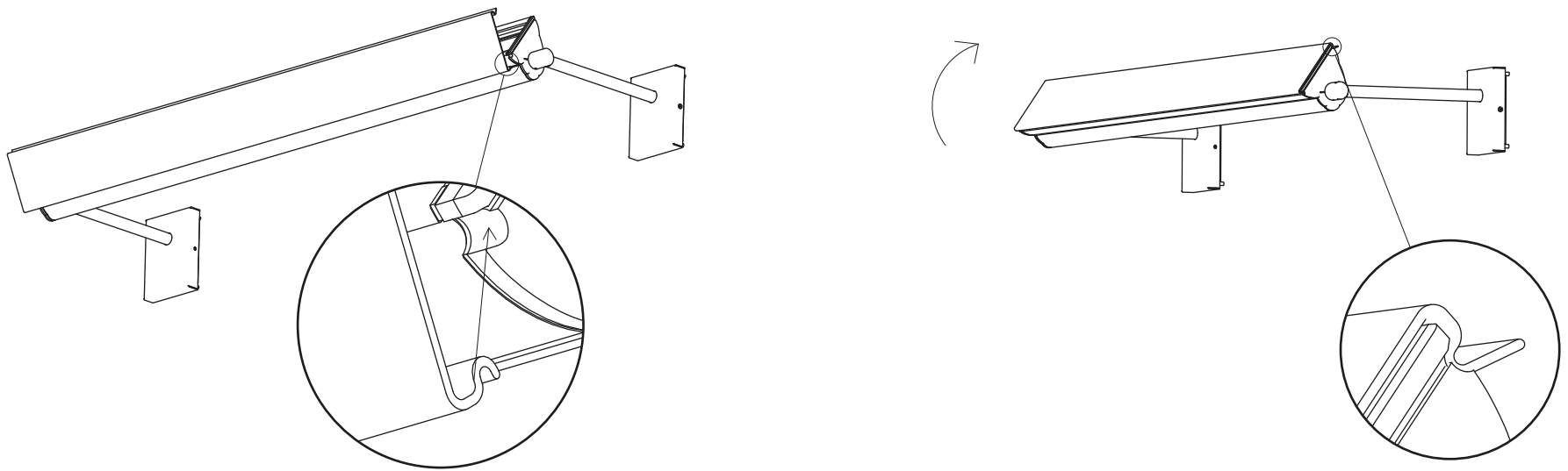


PEAK_{Linear}

T5/T5HO & T8 Flush Mount Installation Instructions

Step 4 (Optional): Outdoor/ Wet label

1. Place curved flange of lens into lower housing groove.
2. Clip top curved flange of lens into upper housing groove.



1. This product must be installed in accordance with applicable installation and electrical codes by a professional familiar with the construction and operation of the product.
2. Minimum 90°C supply conductors
3. All electrical connections must be performed by a certified electrician to applicable local and national electrical codes.
4. Do not assemble fixture together on ground and then install.