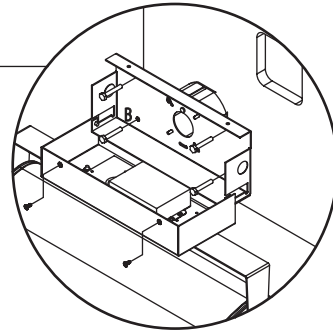


# Peak Large / Peak Y/ YI Installation

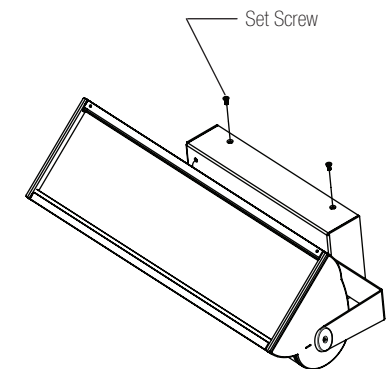
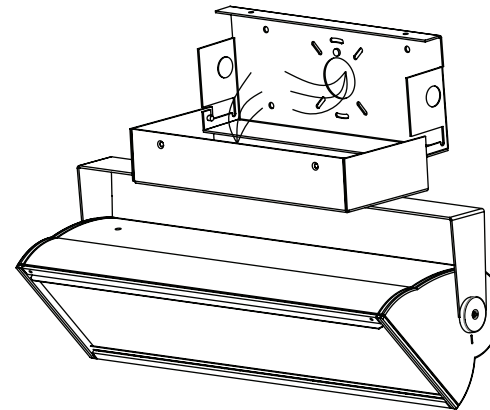
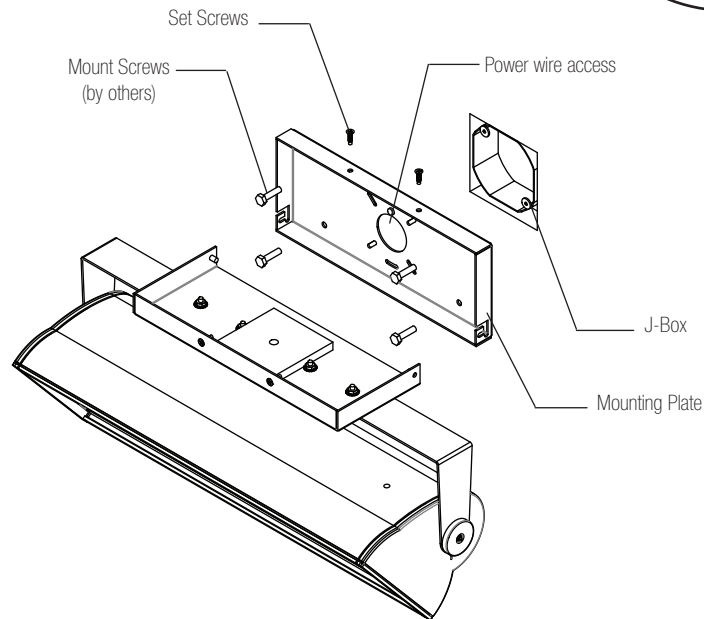
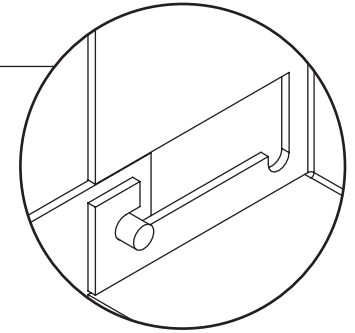
## Step 1: Layout & Preperation

1. Layout fixture location and install junction box (by others)
2. Secure backplate to structure using appropriate hardware (by others)
3. Pull building power wires through opening of endplate.

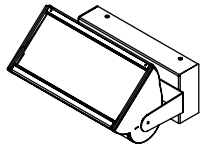


## Step 2: Wiring & Hanging

1. Hang fixture to mounting plate, ensuring pin is resting in forward slot to allow fixture to hang.
2. Make all necessary wiring connections, and recess wires into junction box.
3. Rotate fixture head up to back plate, secure into place using provided set screws

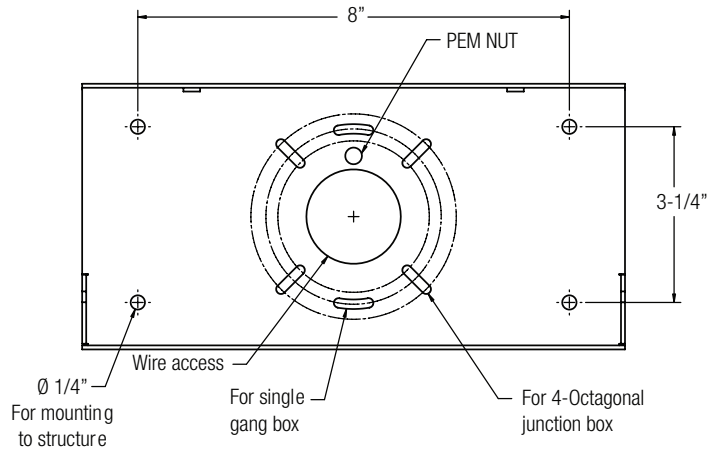


1. This product must be installed in accordance with applicable installation and electrical codes by a professional familiar with the construction and operation of the product.
2. Minimum 90°C supply conductors
3. All electrical connections must be performed by a certified electrician to applicable local and national electrical codes.
4. Fixtures must be mounted directly to structure.

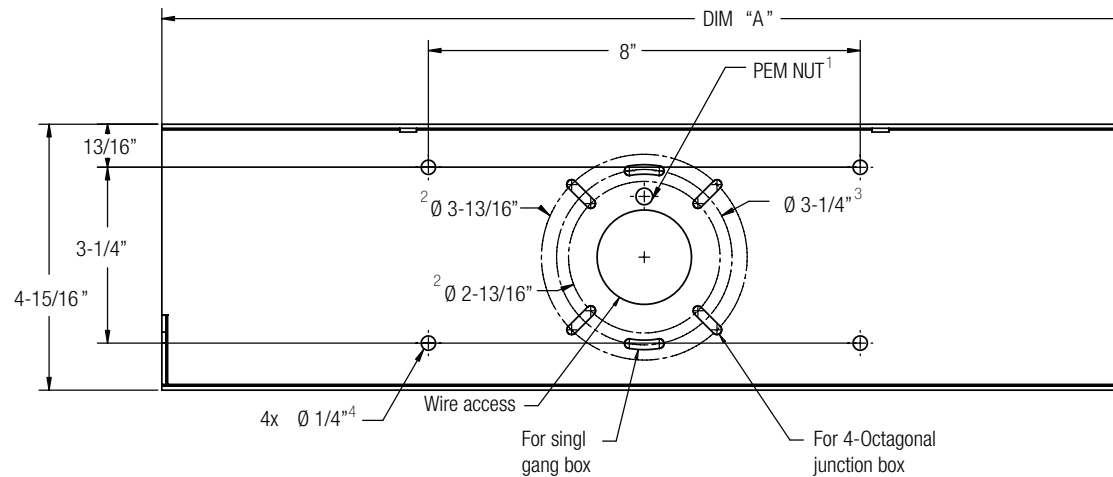


# Peak / Peak Y/ YI Installation

Peak Yoke Integral Mount Plate



Peak Large Yoke Integral Mount Plate

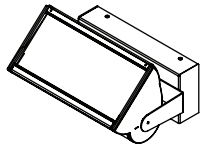


	DIM "A"
12" Fixture	11-7/8"
20" Fixture	17-7/8"
25" Fixture	17-7/8"

1. #8-32 PEM NUT provided for ground wire.
2. BC slots provided for 4x4 octagonal box.
3. BC slots provided for single gang box.
4. Fixtures over 25lbs. must be mounted to structure using these holes.

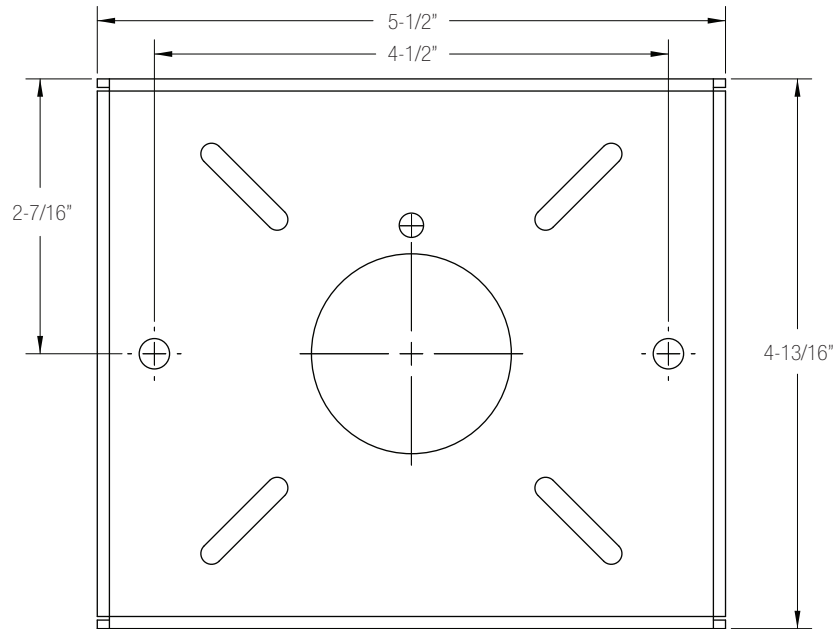


1. This product must be installed in accordance with applicable installation and electrical codes by a professional familiar with the construction and operation of the product.
2. Minimum 90°C supply conductors
3. All electrical connections must be performed by a certified electrician to applicable local and national electrical codes.
4. Fixtures must be mounted directly to structure.

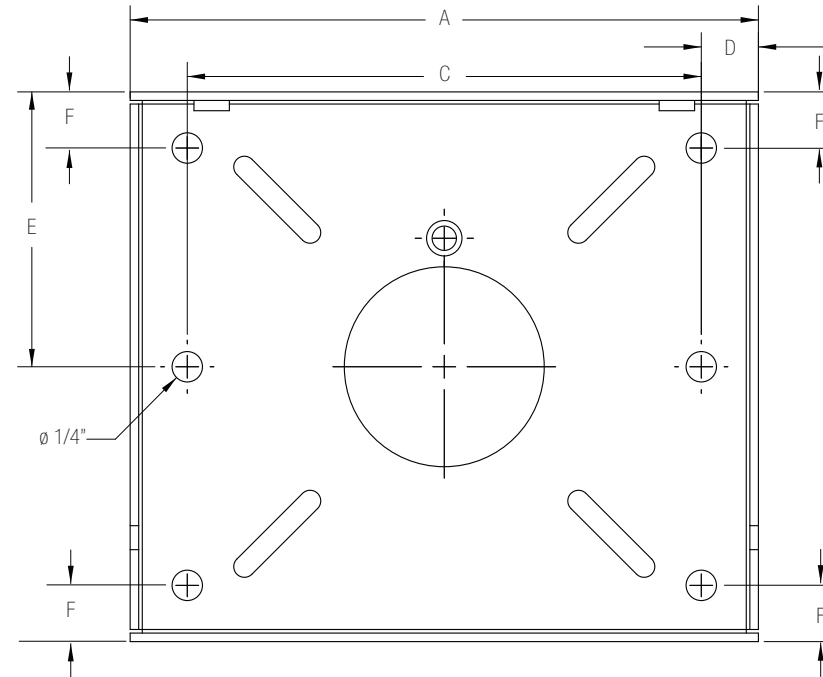


# Peak Large / Peak Y/Y Installation

Peak Yoke Mount Plate



Peak Large Yoke Mount Plate



**\* Note: Yoke option has removed ballast. \***  
**See remote ballast sheet for more information.**

Plate Dimensions

	12"	20"	25"
A	5-1/2"	11-7/8"	17-7/8"
B	4-13/16"	4-13/16"	4-13/16"
C	4-1/2"	8"	8"
D	1/2"	1-15/16"	4-15/16"
E	2-3/8"	3-3/16"	3-3/16"
F	N/A	13/16"	13/16"

*(Note: F dimension applies to 20" and 25" fixtures only)*



1. This product must be installed in accordance with applicable installation and electrical codes by a professional familiar with the construction and operation of the product.
2. Minimum 90°C supply conductors
3. All electrical connections must be performed by a certified electrician to applicable local and national electrical codes.
4. Fixtures must be mounted directly to structure.