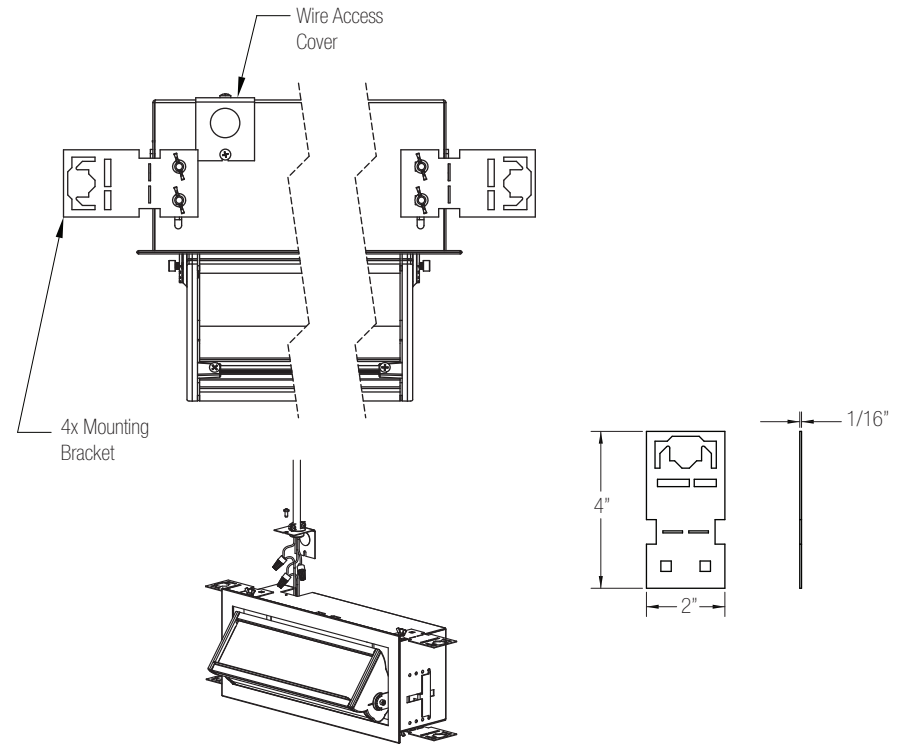
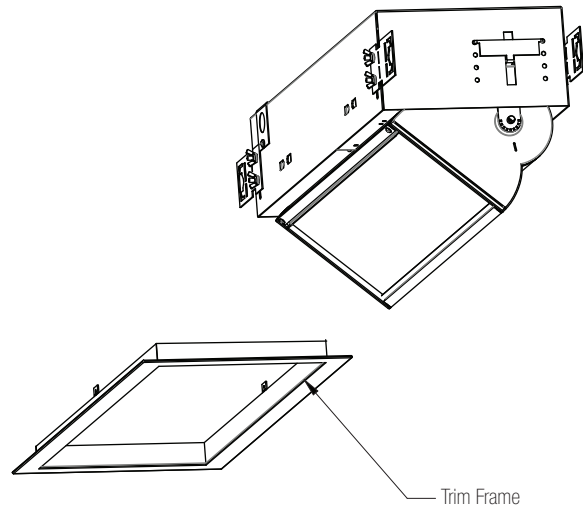


Peak Large / Peak Semi Recessed Installation



Step 1: Layout & Preparation

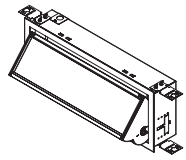
1. Layout and install junction box(es), whip wires out of wall/ ceiling. If using remoted ballast see applicable remote ballast distance table.
2. Remove the fixture trim by compressing torsion springs and pulling the trim out. Set trim aside.

Step 2: Wiring & Mounting

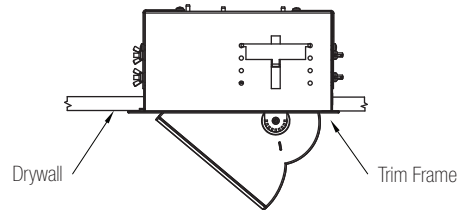
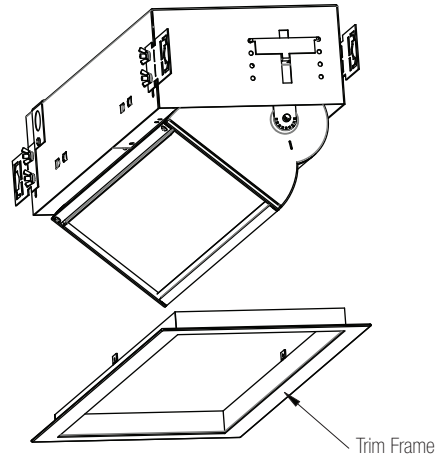
1. Remove wire access cover, make all necessary wire connections, and re-attach wire access cover.
2. Mount semi recessed box flush to ceiling, loosen wing nut to adjust bracket for best fit, and bend bracket to fit rough opening in ceiling.
3. Secure bracket to ceiling with appropriate hardware.



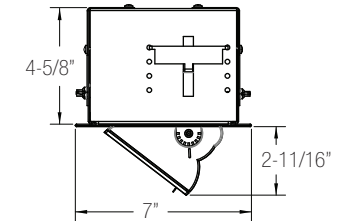
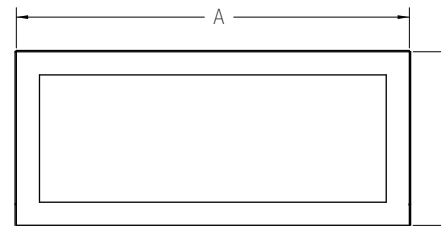
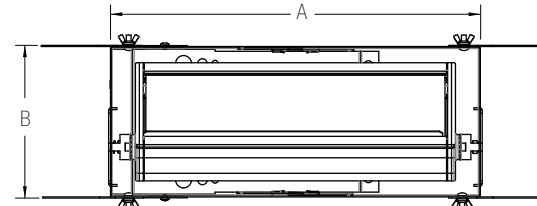
1. This product must be installed in accordance with applicable installation and electrical codes by a professional familiar with the construction and operation of the product.
2. Minimum 90°C supply conductors
3. All electrical connections must be performed by a certified electrician to applicable local and national electrical codes.
4. Fixtures must be mounted directly to structure.



Peak / Peak Semi Recessed Installation

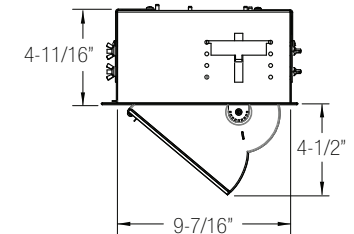
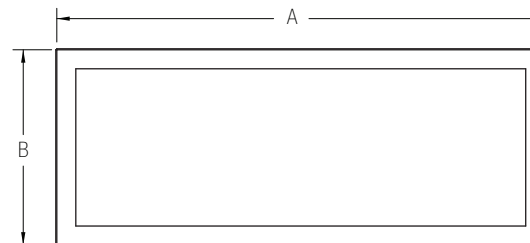
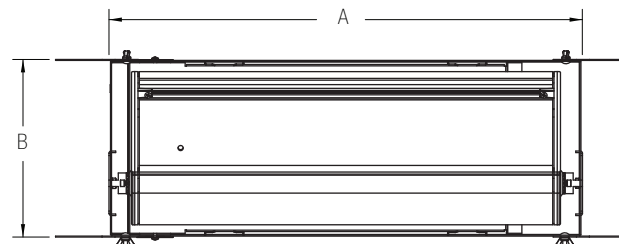


Peak Small



	Fixture Unit	Trim Frame
A	12"	14-7/8"
B	12"	6-1/8"

Peak Large



	Fixture Unit	Trim Frame
A	12"	15"
	20"	22-7/8"
	25"	27-13/16"
B	12"	8-7/16"
	20"	8-7/16"
	25"	8-7/16"

Step 3: Finishing

1. Once fixture is wired and installed, re-install trim frame. Compress torsion springs and slide into tabs, push inward until flush with finished surface.



1. This product must be installed in accordance with applicable installation and electrical codes by a professional familiar with the construction and operation of the product.
2. Minimum 90°C supply conductors
3. All electrical connections must be performed by a certified electrician to applicable local and national electrical codes.
4. Fixtures must be mounted directly to structure.