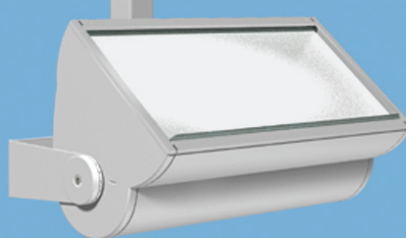
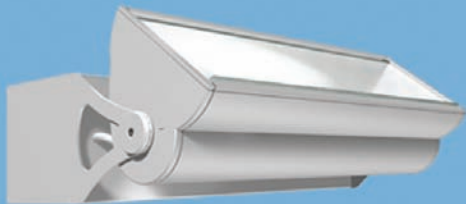


Asymmetric Lighting
For Large Applications

PEAK Large



PINNACLE
ARCHITECTURAL LIGHTING

PEAK Large INDOOR/OUTDOOR ASYMMETRIC LUMINAIRE

Peak Large was designed to accommodate high lumen lamp sources for asymmetric lighting in larger scale applications for both indoor and outdoor projects. Peak Large is also ideal for grazing building exteriors, indirect illumination, wall washing and signage applications.



Yoke Integral (YI)
Ceiling and Wall Mount



Deco Extended (DE)
Ceiling and Wall Mount



Semi-Recessed (SI or SR)
Ceiling Mount



Dual Arm (A2)
Ceiling and Wall Mount



Single Arm (A1)
Ceiling and Wall Mount



Pendant (P)
Ceiling Mount



Yoke (Y)
Ceiling and Wall Mount



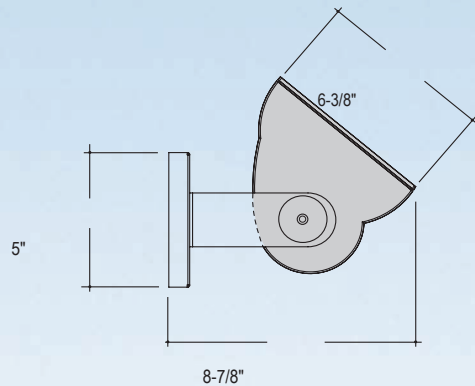
Deco Flush (DF)
Ceiling and Wall Mount

LUMINAIRE SPECIFICATION

PL ___ -

PRODUCT ¹	LAMP ¹	MOUNTING ¹	VOLTAGE ¹	FINISH	OPTIONS
<p>PLS- Peak Large indoor luminaire, Smooth Housing, cUL dry/damp label.</p> <p>PLR- Peak Large indoor luminaire, Ribbed Housing, cUL dry/damp label.</p> <p>PLSW- Peak Large outdoor luminaire, Smooth Housing, cUL wet label.</p> <p>PLRW- Peak Large outdoor luminaire, Ribbed Housing, cUL wet label.</p> <p>PLSN- Peak Large natatorium luminaire, Smooth Housing, cUL wet label.</p> <p>PLRN- Peak Large natatorium luminaire, Ribbed Housing, cUL wet label.</p>	<p>LAMP</p> <p>CF42- (1) 42W CFL</p> <p>CF60- (1) 60W CFL</p> <hr/> <p>2CF42- (2) 42W CFL</p> <p>2CF60- (2) 60W CFL</p> <p>CF70- (1) 70W CFL</p> <p>CF85- (1) 85W CFL</p> <p>CF120- (1) 120W CFL</p> <hr/> <p>2CF70- (2) 70W CFL</p> <p>2CF85- (2) 85W CFL</p> <p>2CF120- (2) 120W CFL</p> <hr/> <p>BX39- (1) 39W Biax</p> <p>2BX39- (2) 39W Biax</p> <p>BX40- (1) 40W Biax</p> <p>2BX40- (2) 40W Biax</p> <p>BX50- (1) 50W Biax</p> <p>2BX50- (2) 50W Biax</p> <p>BX55- (1) 55W Biax</p> <p>2BX55- (2) 55W Biax</p> <hr/> <p>M100PS- (1) 100W ED17PS</p> <p>M150PS- (1) 150W ED17PS</p> <p>M200PS- (1) 200W T15 PS</p> <p>M250PS- (1) 250W T15 PS</p> <p>M320PS- (1) 320W T15 PS</p> <p>M350PS- (1) 350W T15 PS</p> <p>2M320PS- (2) 320W T15 PS</p> <hr/> <p>Q300T3- (1) 300W T3,RSC</p> <p>Q350T3- (1) 350W T3,RSC</p> <p>Q500T3- (1) 500W T3,RSC</p>	<p>REMOTE BALLAST</p> <p>Y- Yoke</p> <p>P _"- Pendant (specify O.A.L., 12", 18" or 24") (Not available in wet location)</p> <p>PS _"- Pendant Swivel (specify O.A.L., 12", 18" or 24") (Not available in wet location)</p> <p>A1 _"- Arm Mount/Single Head (specify O.A.L., 12", 18" or 24")</p> <p>A2 _"- Arm Mount/Dual Head (specify O.A.L., 12", 18" or 24")</p> <p>SR- Ceiling Semi-Recessed (Not available in wet location)</p> <p>INTEGRAL BALLAST</p> <p>YI- Yoke Integral (Not available in wet location)</p> <p>DE- Deco Extended</p> <p>DF- Deco Flush</p> <p>SI- Ceiling Semi-Recessed, (Not available in wet location)</p>	<p>120- 120 Volt</p> <p>277- 277 Volt</p> <p>347- 347 Volt¹</p>	<p>W- White</p> <p>S- Metallic Silver</p> <p>BR- Bronze</p> <p>CC- Custom Color</p>	<p>B- Baffle²</p> <p>V- Visor²</p> <p>Q- Quartz Restrike¹</p>

CROSS SECTION



¹Some Peak Large options are not available on all styles and mounting options. Refer to specification sheet for a list of options for each style.

²Color will match housing unless otherwise specified.

Dimension and specifications subject to change without notice.

